

6524GM-M-F
24" Stainless Steel Gas Cooktop

AEG

6524GM-M-F

24" Stainless Steel Gas Cooktop



COOKTOP FEATURES

- 24" (60cm) 4 burner gas cooktop
- Continuous cast iron support grates
- Electronic ignition with flame failure safety
- Ergonomically placed control knobs
- UltraFlat design for optional flush install
- 2.5" deep allows for drawer or oven install below cooktop

COOKTOP PERFORMANCE

- 4 high quality sealed burners
 - 1 x double ring burner – 13,600 BTU
 - 2 x semi-rapid burner – 8,000 BTU
 - 1 x simmer burner – 5,000 BTU down to 600 BTU

COOKTOP DIMENSIONS

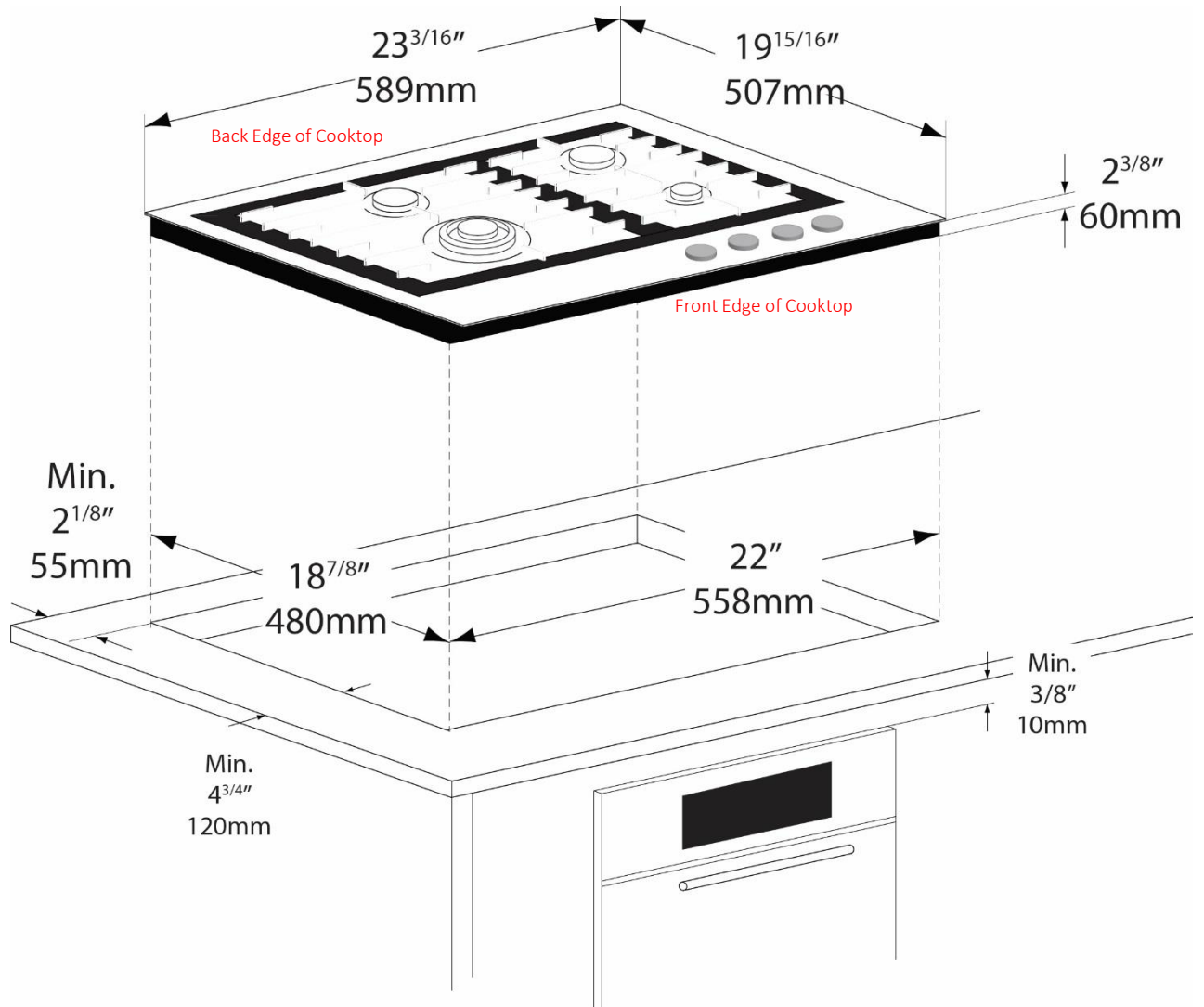
- D: 19^{15/16"} x W: 23^{3/16"}
- D: 507mm x W: 589mm

ELECTRICAL REQUIREMENTS

- 115 Volt, 60Hz, 15 AMP

Specifications (Column Installation)

6524GM-M-F



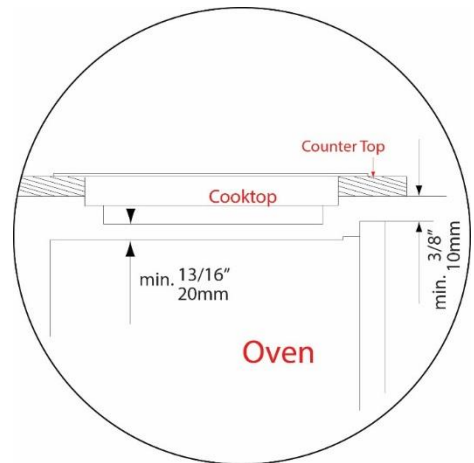
Specifications (Under Counter Installation)

6524GM-M-F

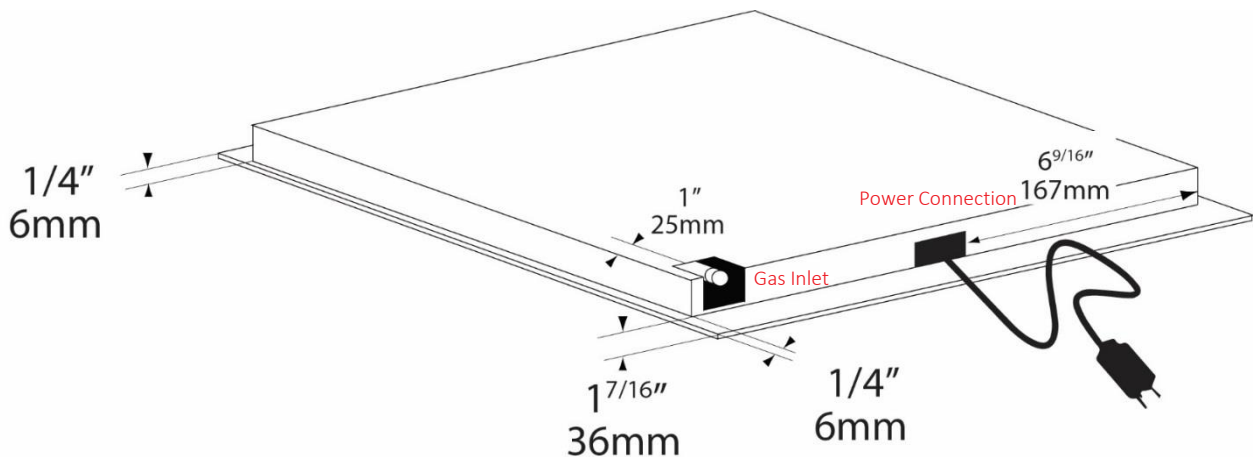
INSTALLING OVER BUILT-IN OVEN

- There must be a minimum of 20mm (13/16") of space left between the bottom of the cooktop and the oven to allow air to flow.
- There must be a minimum of 5mm (3/16") of space left between the counter top and the door panel of a built-in oven / drawer.
- If sufficient air flow is not provided, the life of the appliance will be shortened.

SIDE VIEW



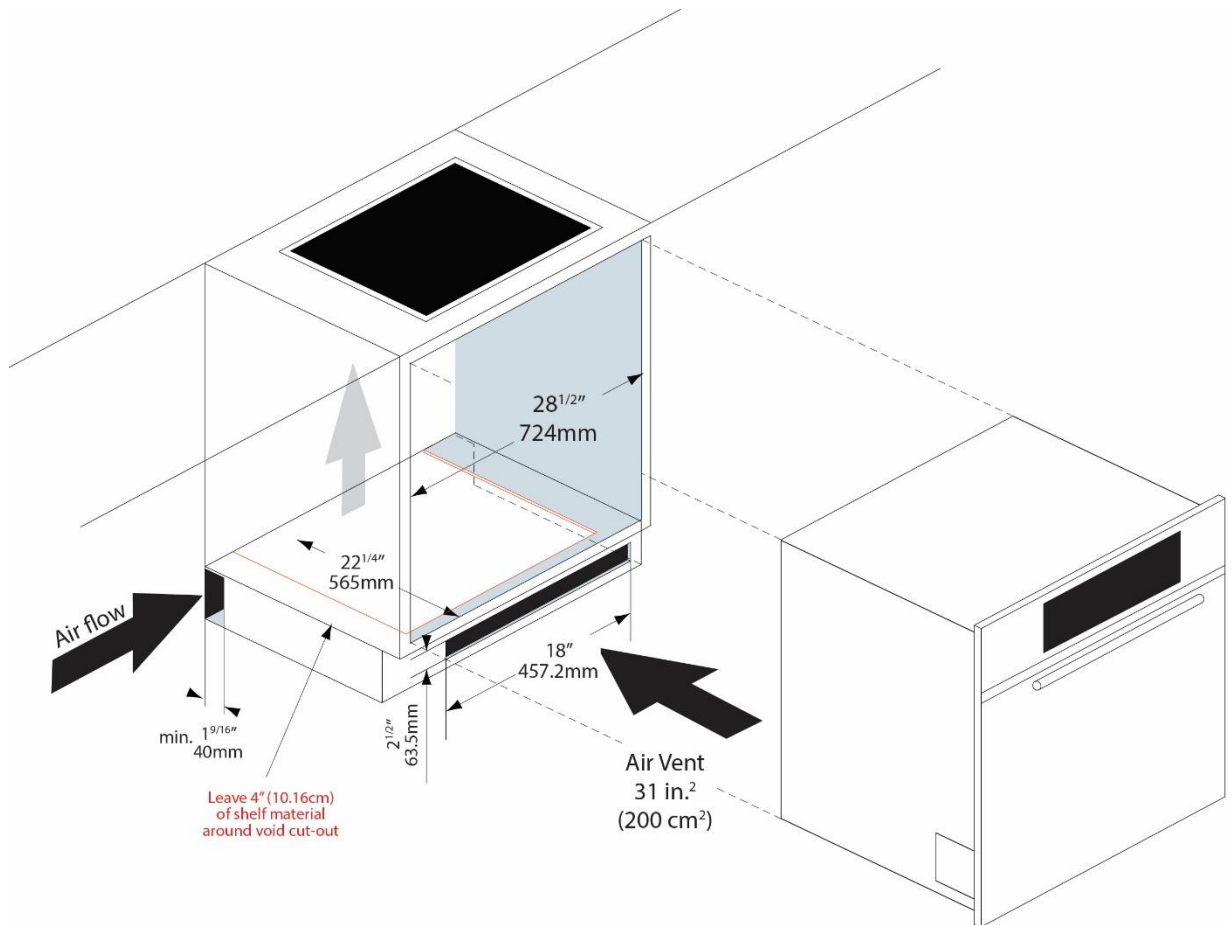
UNDERSIDE VIEW



Specifications (Under Counter Installation)

6524GM-M-F

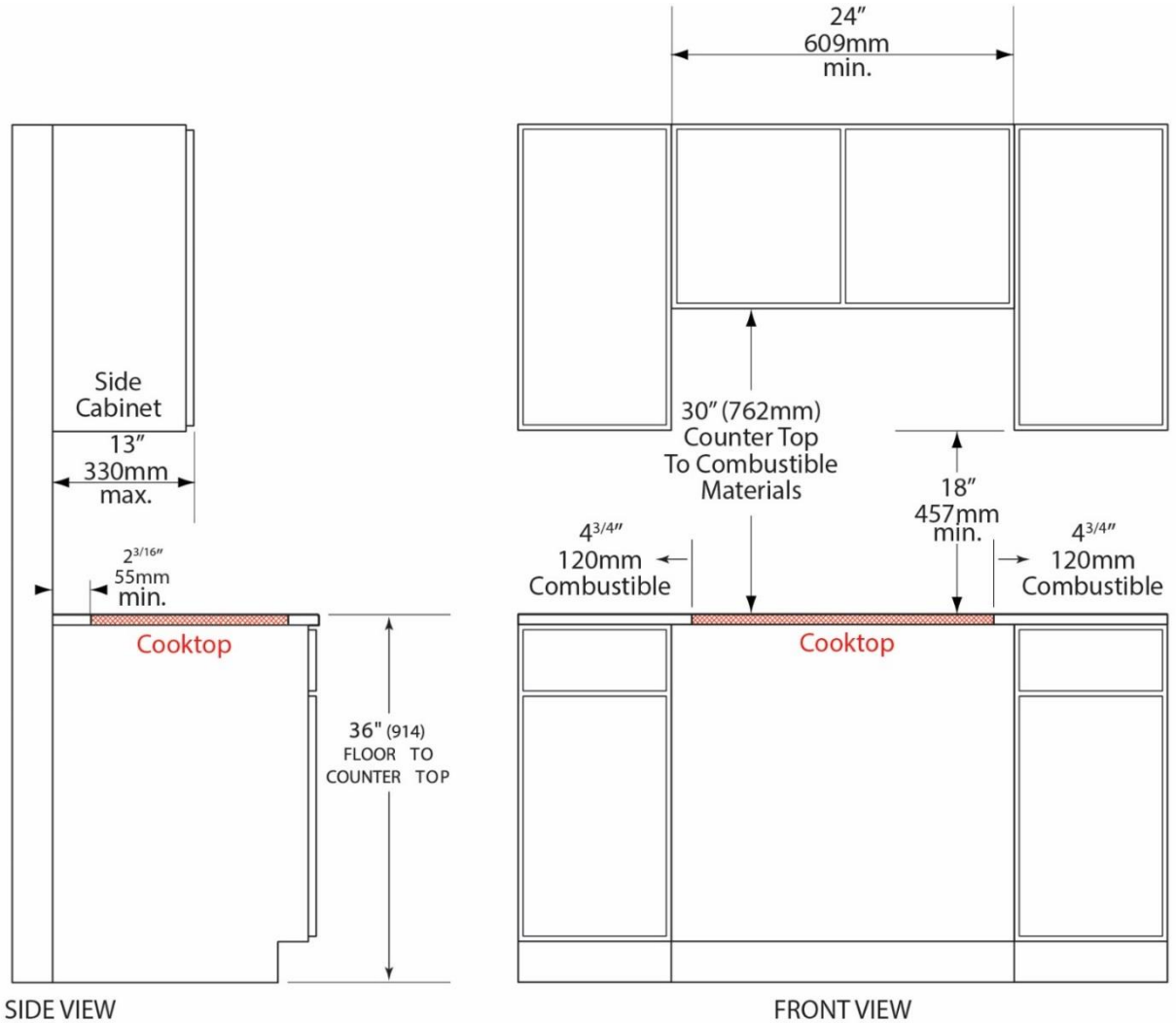
RECOMMENDED CABINET DESIGN



Specifications (Under Counter Installation)

6524GM-M-F

RECOMMENDED CABINET MINIMUM CLEARANCE



* Minimum clearance from cooktop cut-out to combustible materials up to 18" (457mm) above countertop

AEG

AEG Appliances are designed and manufactured to the highest standards. Each appliance is covered by a comprehensive 2-year parts and labour warranty.

Refer to product warranty policy for complete terms and conditions.

FOR PARTS AND SERVICE

Euro-Parts & Service

39822 Belgrave Road, Belgrave, ON. N0G 1E0

1 800 678 8352 (Canada) • 1 800 561 4614 (U.S.)

www.euro-parts.ca • parts@euro-parts.ca • service@euro-parts.ca

AEG appliances are imported and distributed in North America by Euro-Line Appliances Inc. For more information, please visit one of our showrooms or

www.euro-line-appliances.com www.elawest.com

EURO-LINE APPLIANCES INC.

871 Cranberry Court
Oakville, ON L6L 6J7 Canada
905 829 3980
1 800 421 6332

marketing@euro-line-appliances.com

EURO-LINE APPLIANCES WEST INC.

2912 West 4th Avenue
Vancouver, BC V6K 1R2 Canada
604 235 3980
1 855 ELA WEST (352.9378)

info@elawest.com

