

F89088VI-S

24" Fully Integrated Dishwasher

F89088VI-S/

24" FULLY INTEGRATED DISHWASHER

Features

- 24" (60cm) wide fully integrated tall tub dishwasher
 - Top controls
 - 10 programs
 - 12 place setting capacity
 - Delay timer up to 9 hours
 - Extremely quiet (45dBa)
 - 3 position adjustable upper rack
 - Half load option
 - Foldable tines
 - Eco Sensor monitors water quality and adjusts water consumption accordingly
 - "In-Line" water heating element
 - Custom panel or stainless steel panel DWD600 required
 - Hot or cold water connection
 - ENERGY STAR® rated
-



F89088VI-S/

24" FULLY INTEGRATED DISHWASHER

Dimensions

D Max. 24" x H: 33⁷/₈" - 36¹/₄" x W: 23⁹/₁₆"

D: 61 cm x H: 86 cm - 92 cm x W: 59.8 cm

Electrical Requirements

115 Volt, 60Hz, 12 AMP, 1200W

* Supplied with Canadian cord and plug

Cut-Out Dimensions

D: 23⁵/₈" x H: 33⁷/₈" - 36¹/₄" x W: 24"

D: 60 cm x H: 86 cm - 92 cm x W: 61 cm

Water Inlet

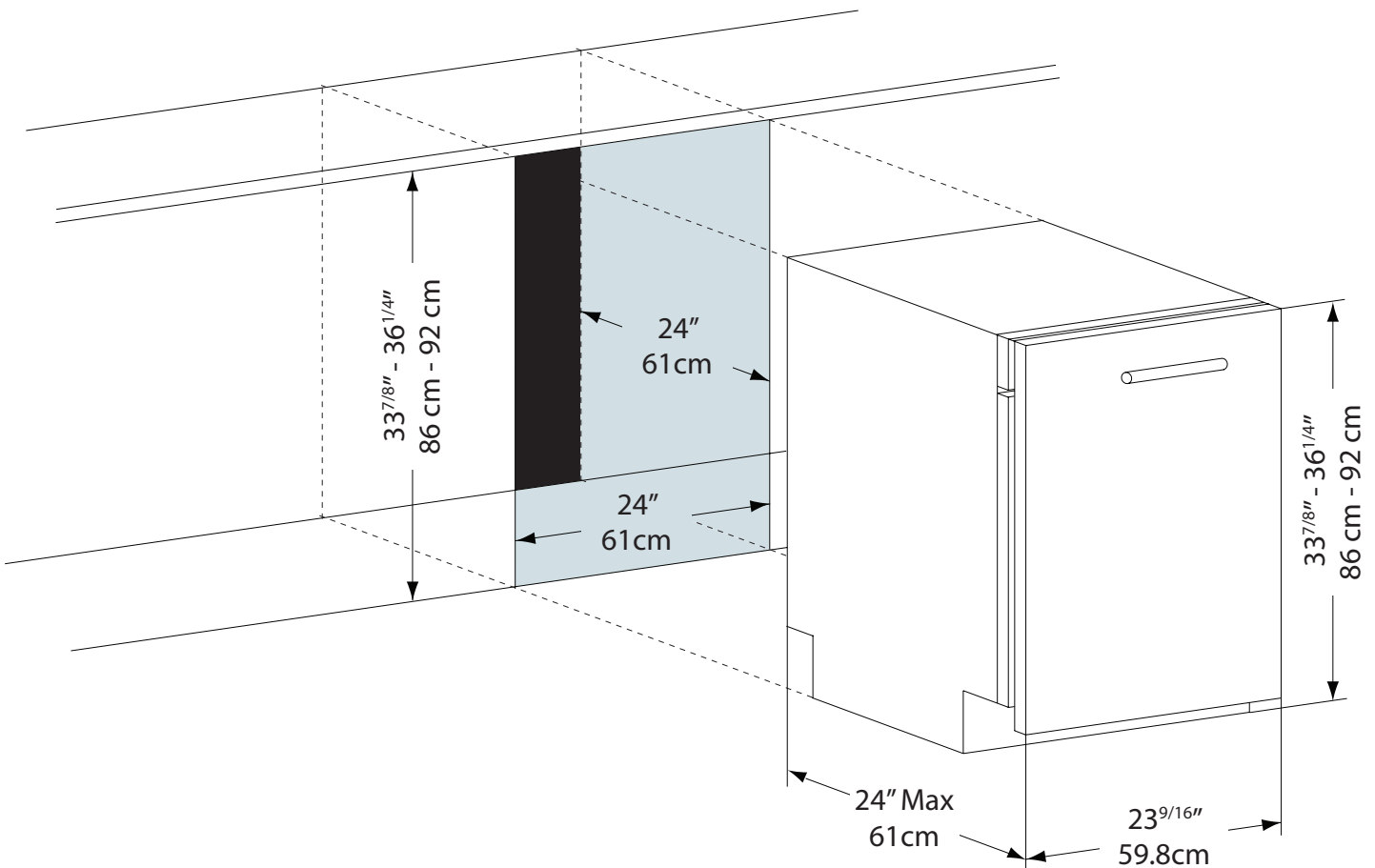
*Supplied with inlet hose

Panel Dimensions / Weight

Applied Panel Width: 23¹/₂" / 59.7 cm

Panel Height: Min 27¹/₂" / 69.9 cm - Max 30¹/₈" / 76.5 cm

Custom Panel Weight **MUST NOT EXCEED 8KG**



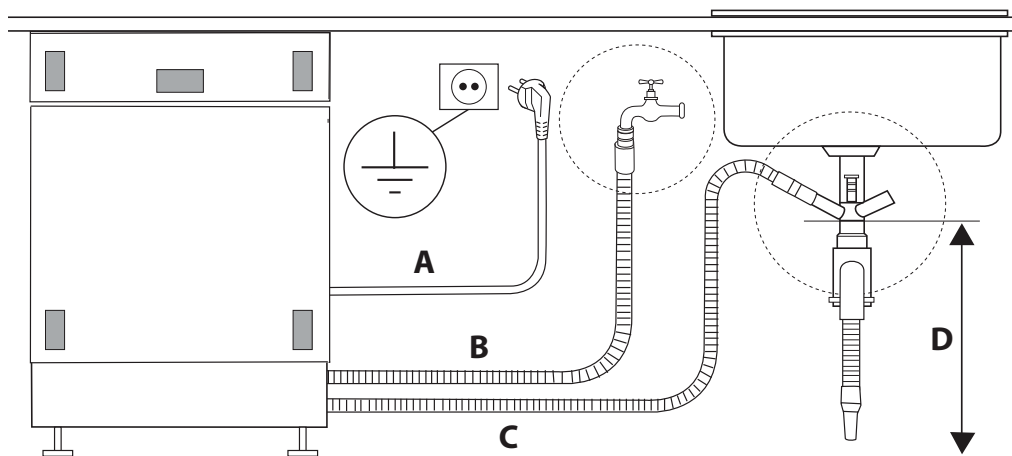
F89088VI-S/

24" FULLY INTEGRATED DISHWASHER

Hoses and Connections

* Install the dishwasher so as to allow ease of access to the electrical and hydraulic connections through the adjacent unit. These connections must never be behind the dishwasher.

The inlet and drain hoses can be pointed in all directions. make sure that they are not bent, crushed or too tight. Tighten the ring nut after pointing the hoses in the required direction.



A = 1200 mm / 47"

B = 1270 mm / 50"

C = 1270 mm / 50"

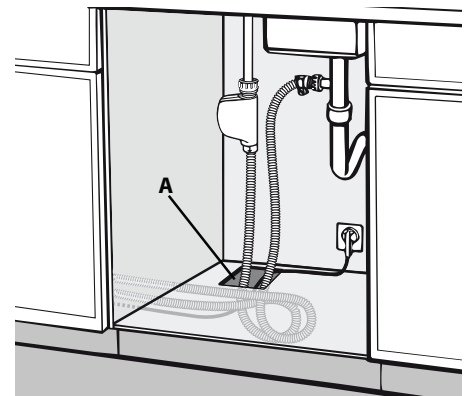
D = min. 400 mm / 16"

Hoses and Connections

NOTE

* Installing the dishwasher in a narrow space may bend or crush the connections (hoses, power cord). Take great care in order to reduce the possibility of damaging the connections when installing or removing the appliance.

* A through hole with a diameter of at least 13 cm (5") is required to pass the hoses and power cord. Make sure there are no rough edges that could damage the power cord or hoses. If the dishwasher is installed in a metal unit protect the edge of the through hole for the hoses and power cord with a gasket. Do not use extension cords when making the electrical connection as these do not guarantee safety.



AEG

perfekt in form und funktion

AEG products are designed and built to the highest standards.
Each appliance is covered by a comprehensive 2 year parts and labour warranty.

Refer to product warranty policy for complete terms and conditions.

For Service & Parts
EURO-PARTS

39822 Belgrave Rd,
Belgrave, Ontario, Canada,
N0G 1E0

1.800.678.8352

AEG appliances are imported and distributed in North America by Euro-Line Appliances Inc.

For more information visit

www.euro-line-appliances.com / www.elawest.com

EURO-LINE APPLIANCES INC.

871 Cranberry Court
Oakville, ON L6L 6J7
Canada
Toll Free: 1.800.421.6332
Showroom: 905.829.3980
marketing@euro-line-appliances.com

EURO-LINE APPLIANCES WEST INC.

2912 West 4th Ave
Vancouver, BC V6K 1R2
Canada
Toll Free: 1.855.ELA WEST (352.9378)
Showroom: 604.235.3980
info@elawest.com