

BC3000001M
24" Built-in Multi Function Oven

AEG

BC3000001M

24" Built-in Multi Function Oven



OVEN FEATURES

- MaxiKlasse™ 74L (2.61 cu. ft) capacity
- Anti-fingerprint stainless steel
- 8 cooking functions including True Fan Convection
- ThermiC° hot air cooking technology for perfect cooking
- Retractable control knobs - °F temperature display
- Oven power indicator and temperature pilot light
- Panoramic view window
- Inclined oven light
- Metric and Imperial baking chart on interior of door
- 5 shelf positions
- Isofont® triple glazed glass door
- Cooling fan
- Residual heat indicator

OVEN PROGRAMS

- True Fan Convection
- Pizza Mode
- Conventional Cooking
- Bottom Heat
- Turbo Grilling
- Fast Grilling
- Grilling
- Defrost

OVEN CLEANING FEATURES

- Cataluxe® heat-activated catalytic liners for a continuous clean
- Easy to clean high gloss enamel lining
- Removable door and glass panes for easy cleaning

OVEN ACCESSORIES

- Grill/roasting pan
- Reversible grill insert
- 2 chrome oven racks : 183/8" W x 153/16" D
- Optional full extension telescopic rails (TR3LFTV)

Specifications (Column Installation)

BC3000001M

OVEN DIMENSIONS

- D: 21^{1/2}" x H: 22^{13/16}" x W: 21^{9/16}"
- D: 546 mm x H: 579 mm x W: 547 mm

CUT-OUT DIMENSIONS

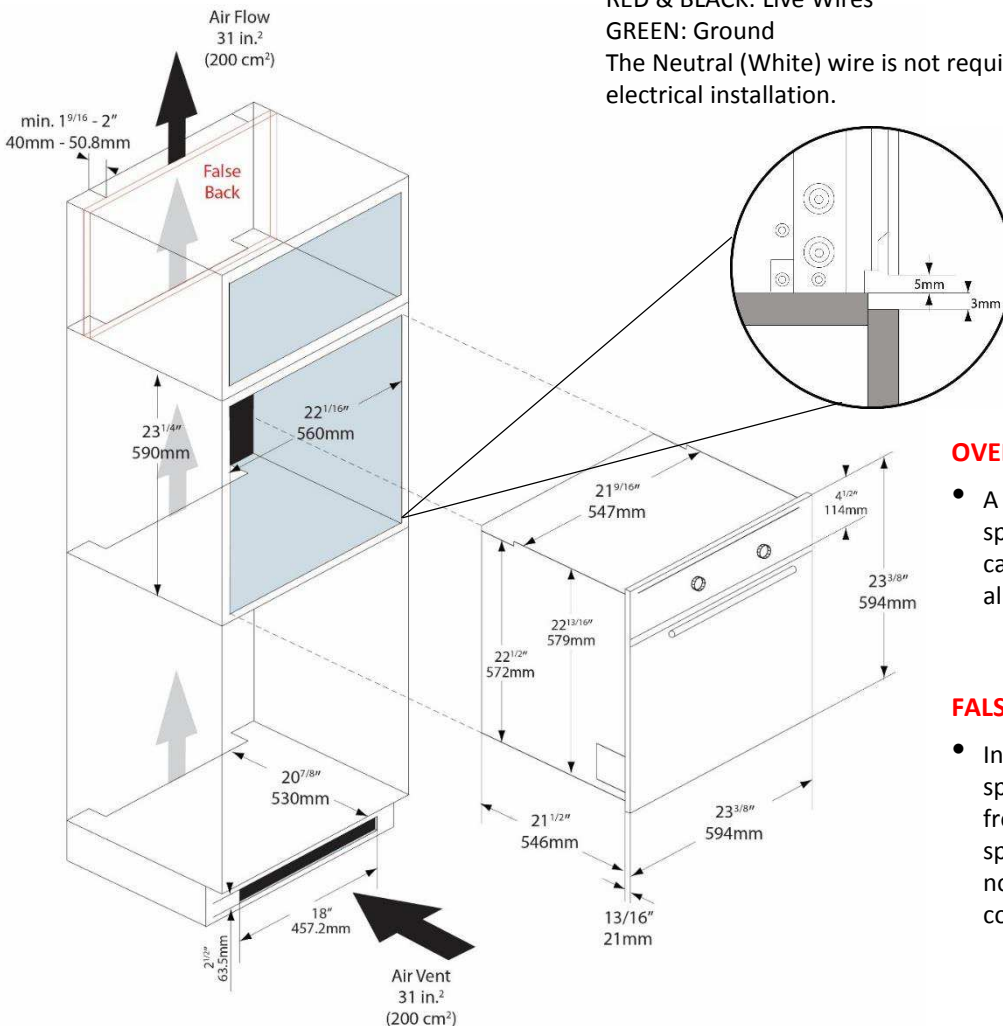
- D: 20^{7/8}" x H: 23^{1/4}" x W: 22^{1/16}"
- D: 530 mm x H: 590 mm x W: 560 mm

ELECTRICAL REQUIREMENTS

- 208 / 230 Volt, 60Hz, 2950 Watt, 20 AMP

IMPORTANT

- AEG ovens are supplied with a 4' long electrical cable and must be hard wired to the electrical supply
- AEG ovens uses the following wires:
RED & BLACK: Live Wires
GREEN: Ground
The Neutral (White) wire is not required for the electrical installation.



OVEN DOOR CLEARANCE

- A minimum of 3mm of clearance space is needed above the cabinet or appliance below to allow the oven door to open

FALSE BACKS

- Install false backs for storage spaces. This will prevent contents from falling through the vent space. In addition, warm air will not interfere with your stored contents

Specifications (Under Counter Installation)

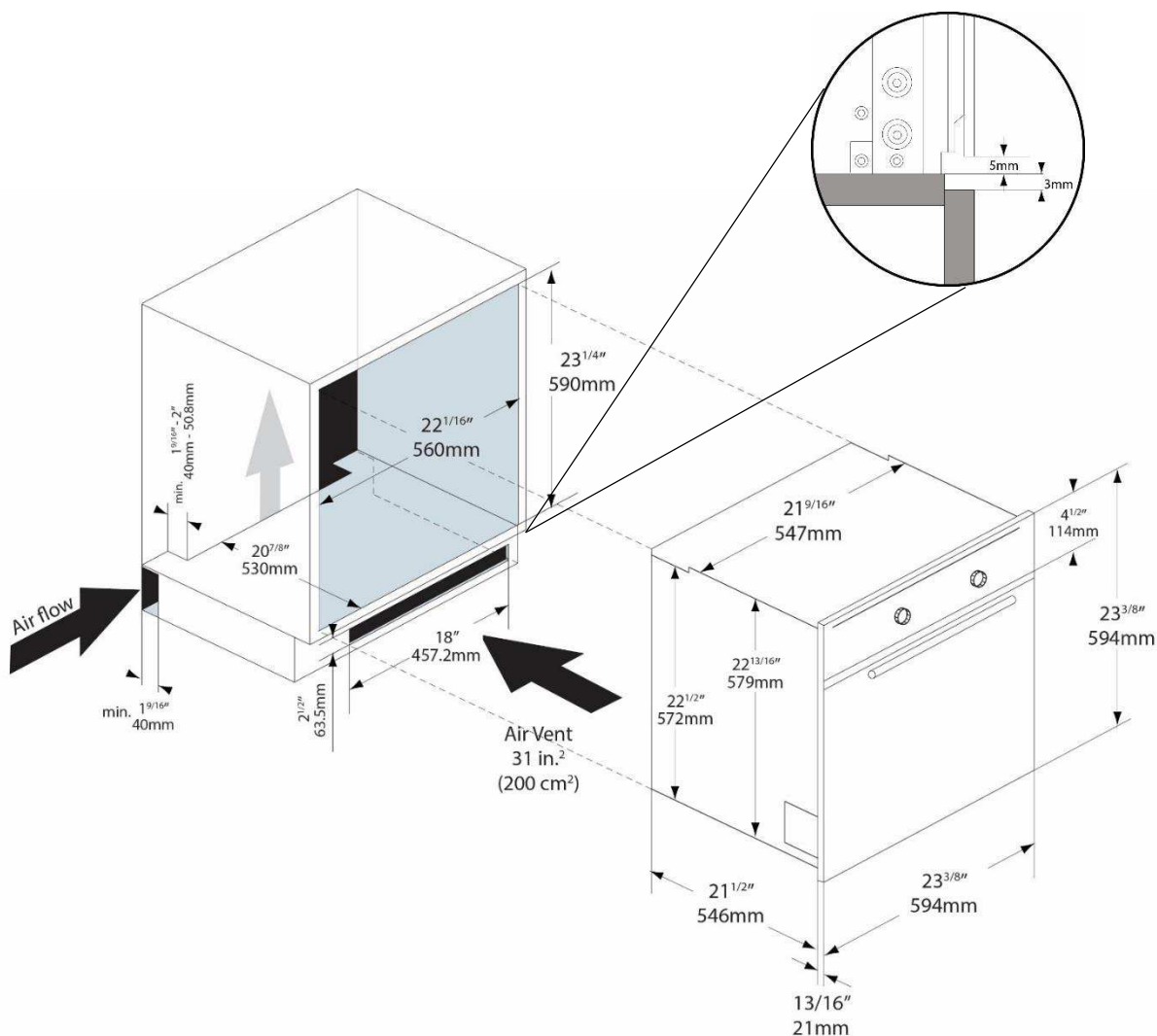
BC3000001M

AIR FLOW REQUIREMENTS

- If the oven is being placed under the counter, there must be a minimum gap of $1\frac{9}{16}$ " (4cm) cut out of the shelf behind the oven to allow air to flow freely.
- If sufficient air flow is not provided, the life of the appliance will be shortened.
- Cut-out in the toe kick is optional and recommended.
- Bottom vent grill (7427640) available.

OVEN DOOR CLEARANCE

- A minimum of 3mm of clearance space is needed above the cabinet or appliance below to allow the oven door to open



AEG

AEG Appliances are designed and manufactured to the highest standards. Each appliance is covered by a comprehensive 2-year parts and labour warranty.

Refer to product warranty policy for complete terms and conditions.

FOR PARTS AND SERVICE

Euro-Parts & Service

39822 Belgrave Road, Belgrave, ON. N0G 1E0

1 800 678 8352 (Canada) • 1 800 561 4614 (U.S.)

www.euro-parts.ca • parts@euro-parts.ca • service@euro-parts.ca

AEG appliances are imported and distributed in North America by Euro-Line Appliances Inc. For more information, please visit one of our showrooms or

www.euro-line-appliances.com www.elawest.com

EURO-LINE APPLIANCES INC.

871 Cranberry Court
Oakville, ON L6L 6J7 Canada
905 829 3980
1 800 421 6332

marketing@euro-line-appliances.com

EURO-LINE APPLIANCES WEST INC.

2912 West 4th Avenue
Vancouver, BC V6K 1R2 Canada
604 235 3980
1 855 ELA WEST (352.9378)

info@elawest.com

