

BP5023001M
24" Built-in Stainless Steel
Multi Function Oven

BP5023001M

24" Built-in Stainless Steel Multi Function Oven



OVEN FEATURES

- MaxiKlasse™ 74L (2.61 cu. ft) capacity
- ThermiC° hot air cooking technology for perfect cooking
- Isofmont® Triple glazed glass door
- OptiSight® Interactive digital information display
- FloodLight® inclined flood light
- Pyroluxe® Plus self cleaning system
- Isofmont® triple glazed glass door
- ProFrame° Anti-fingerprint stainless steel
- 9 cooking functions including True Fan Convection
- Panoramic view window
- Metric and Imperial baking chart on interior of door
- Cooling fan
- Child safety lock

OVEN PROGRAMS

- Ventitherm®/True Fan Convection
- Fast Heat Up
- Pizza Mode
- Conventional Cooking
- Bottom Heat
- Defrost
- Rotitherm® Roasting/Turbo Grilling
- Fast Grilling (with Rotisserie)
- Grilling (with Rotisserie)

OVEN CLEANING FEATURES

- Pyroluxe®PLUS enables you to meet even professional standards of cleanliness. By heating the oven to 500°C, this self-cleaning system reduces all food residue to a fine ash, which you can wipe away completely with a damp cloth
- Removable door and glass panes for easy cleaning

OVEN ACCESSORIES

- Grill/roasting pan
- Baking tray
- Rotisserie with support turnspit
- 2 chrome oven racks : 183/8" W x 153/16" D
- Optional full extension telescopic rails (TR3LFTV)

Specifications (Column Installation)

24" Built-in Stainless Steel Multi Function Oven

OVEN DIMENSIONS

- D: 22⁵/₁₆" x H: 23³/₈" x W: 23³/₈"
- D: 567 mm x H: 594 mm x W: 594 mm

CUT-OUT DIMENSIONS

- D: min. 23¹/₄" x H: 23¹/₄" x W: 22¹/₁₆"
- D: min. 590 mm x H: 590 mm x W: 560 mm

ELECTRICAL REQUIREMENTS

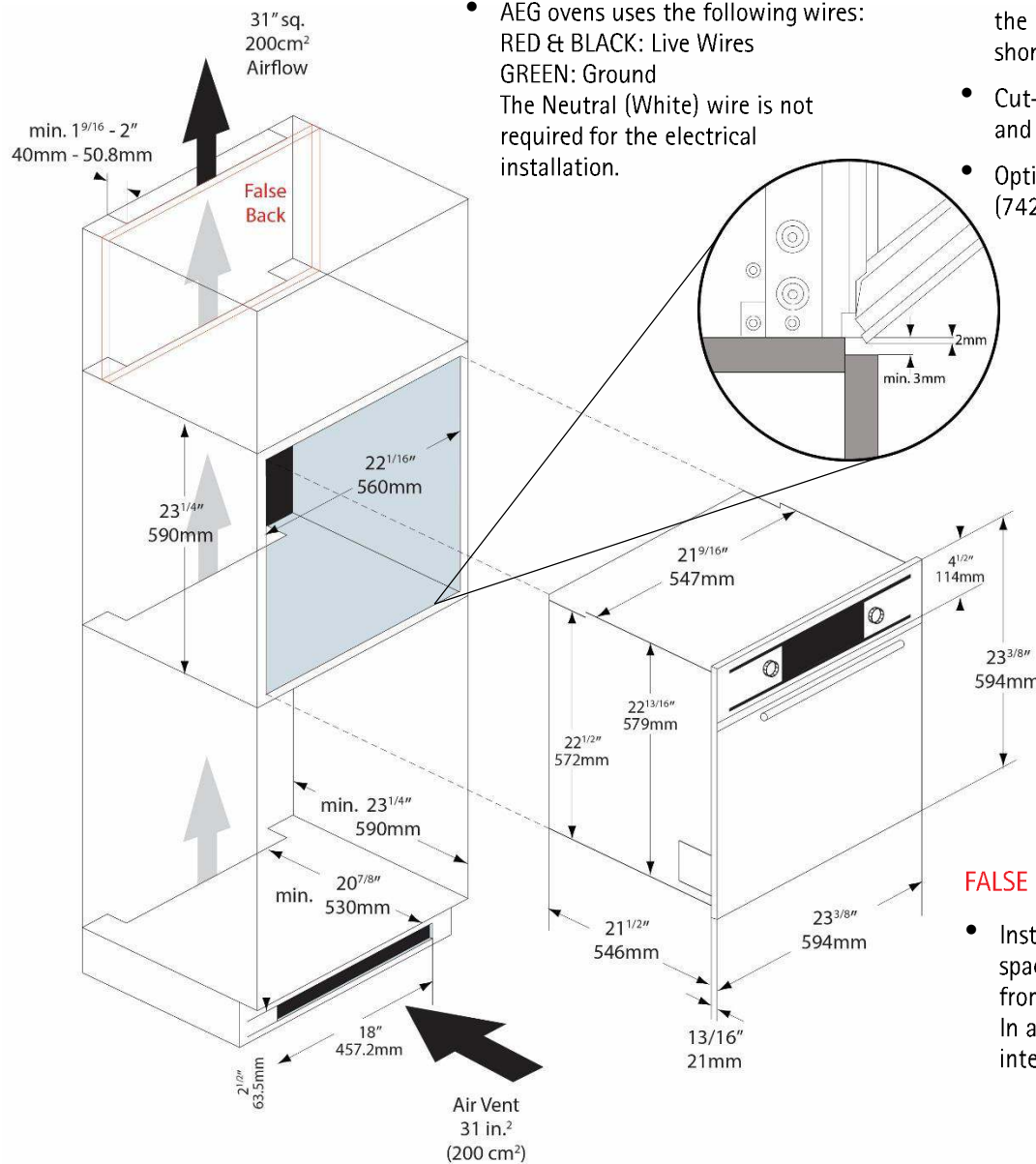
- 208 / 230 Volt, 60Hz, 2950 Watt, 20 AMP

IMPORTANT

- AEG ovens are supplied with a 4' long electrical cable and must be hard wired to the electrical supply
- AEG ovens uses the following wires:
RED & BLACK: Live Wires
GREEN: Ground
The Neutral (White) wire is not required for the electrical installation.

VOID CUT-OUT

- If the oven is mounted in a tall or demi-tall cabinet, there must be a minimum gap of 19/16" (4cm) cut out of the shelf and behind the upper cabinet to allow air to flow freely
- If sufficient air flow is not provided, the life of the appliance will be shortened.
- Cut-out in the toe kick is optional and recommended.
- Optional bottom vent grill (7427640) available.



OVEN DOOR CLEARANCE

- A minimum of 3mm of clearance space is needed above the cabinet or appliance below to allow the oven door to open

FALSE BACKS

- Install false backs for storage spaces. This will prevent contents from falling through the vent space. In addition, warm air will not interfere with your stored contents

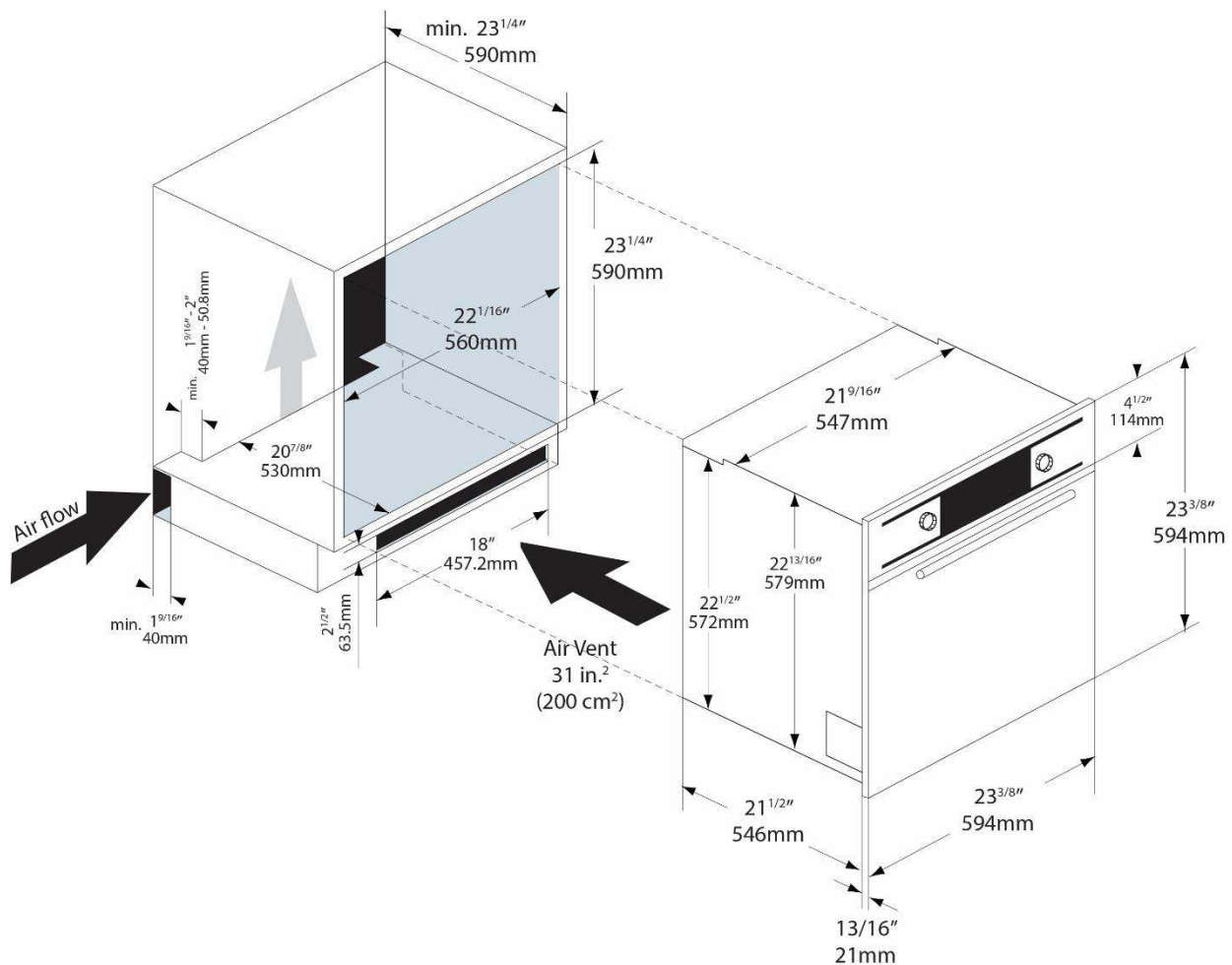
Oven Specifications are subject to change without notice
Detailed Specification Available at www.aeg-appliances.ca

Specifications (Under Counter Installation)

24" Built-in Stainless Steel Multi Function Oven

AIR FLOW REQUIREMENTS

- If the oven is being placed under the counter, there must be a minimum gap of 19/16" (4cm) cut out of the shelf behind the oven to allow air to flow freely.
- If sufficient air flow is not provided, the life of the appliance will be shortened.
- Cut-out in the toe kick is optional and recommended.
- Bottom vent grill (7427640) available.



Oven Specifications are subject to change without notice
Detailed Specification Available at www.aeg-appliances.ca

AEG products are designed and built to the highest standards.
Each appliance is covered by a comprehensive 2 year parts and labour warranty.

Refer to product warranty policy for complete terms and conditions.

For Service & Parts
EURO-PARTS

39822 Belgrave Rd,
Belgrave, Ontario, Canada,
N0G 1E0

1.800.678.8352

AEG appliances are imported and distributed in North America by Euro-Line Appliances Inc.

For more information visit

www.euro-line-appliances.com / www.elawest.com

EURO-LINE APPLIANCES INC.

871 Cranberry Court
Oakville, ON L6L 6J7
Canada
Toll Free: 1.800.421.6332
Showroom: 905.829.3980
marketing@euro-line-appliances.com

EURO-LINE APPLIANCES WEST INC.

2912 West 4th Ave
Vancouver, BC V6K 1R2
Canada
Toll Free: 1.855.ELA WEST (352.9378)
Showroom: 604.235.3980
info@elawest.com