

# C4026V-M

24" Free Standing Electric Range



perfekt in form und funktion

# C4026V-M/ 24" FREE STANDING ELECTRIC RANGE

---

## Features

- 24" (60cm) stainless steel slide-in electric range
  - Anti-fingerprint stainless steel
  - 63L(2.22cu.ft)oven capacity
  - 8 cooking functions including True Fan convection
  - ThermiC° hot air cooking technology for perfect cooking
  - Isofront® Plus triple glazed door
  - 4 electric burners, 2 expandable
  - Residual heat indicator
  - Diamond glazed interior
  - Fully programmable clock/timer with delay start and finish
- 



# C4026V-M/ 24" FREE STANDING ELECTRIC RANGE

## Dimensions

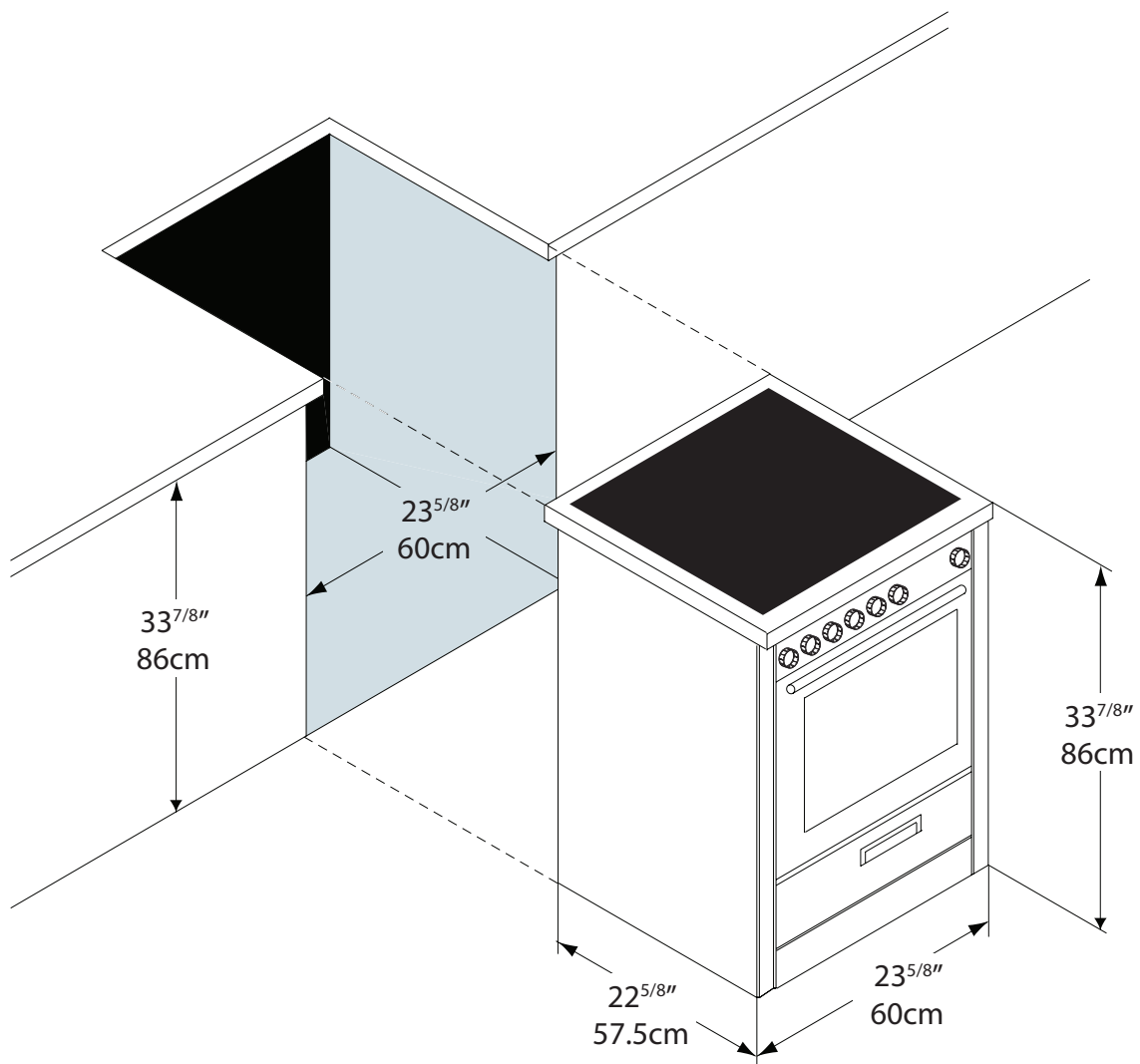
L: 22<sup>5/8</sup>" x H: 33<sup>7/8</sup>" x W: 23<sup>5/8</sup>"  
L: 57.5 cm x H: 86 cm x W: 60 cm

## Electrical Requirements

208 / 240 Volt 60Hz  
\* AEG Ranges are supplied with 40 AMP corded plug

## Cut-Out Dimensions

H: 33<sup>7/8</sup>" x W: 23<sup>5/8</sup>"  
H: 86 cm x W: 60 cm



**AEG** products are designed and built to the highest standards.  
Each appliance is covered by a comprehensive 2 year parts and labour warranty.

Refer to product warranty policy for complete terms and conditions.

For Service & Parts  
**EURO-PARTS**

39822 Belgrave Road  
Belgrave, ON  
N0G 1E0

1.800.678.8352

---

AEG appliances are imported and distributed in North America by Euro-Line Appliances Inc.

For more information visit

[www.euro-line-appliances.com](http://www.euro-line-appliances.com) / [www.elawest.com](http://www.elawest.com)

***EURO-LINE APPLIANCES INC.***

871 Cranberry Court  
Oakville, ON L6L 6J7  
Canada  
Toll Free: 1.800.421.6332  
Showroom: 905.829.3980  
[marketing@euro-line-appliances.com](mailto:marketing@euro-line-appliances.com)

***EURO-LINE APPLIANCES WEST INC.***

2912 West 4th Ave  
Vancouver, BC V6K 1R2  
Canada  
Toll Free: 1.855.352.9378 (ELA WEST)  
Showroom: 604.235.3980  
[info@elawest.com](mailto:info@elawest.com)