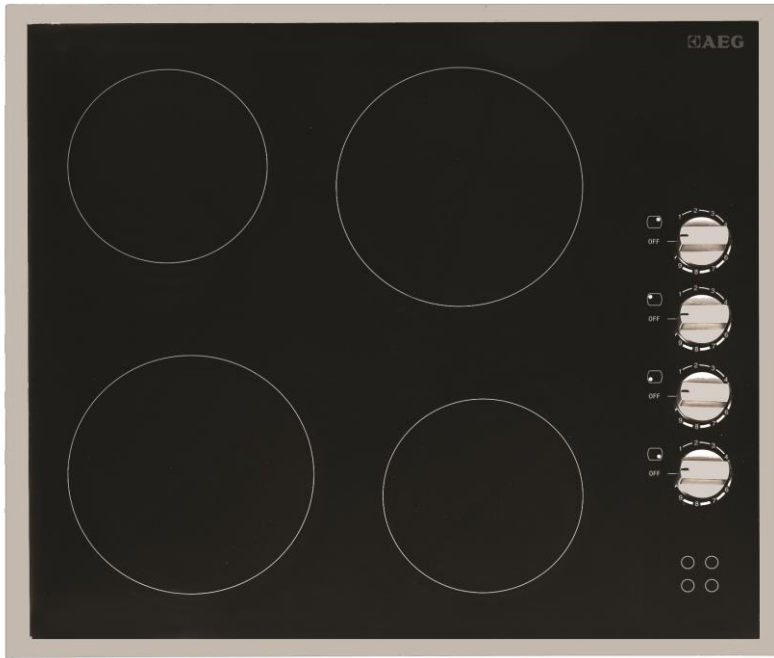


# FM600KM-B

## 24" Electric Cooktop

# FM600KM-B

## 24" Ceramic Electric Cooktop



### COOKTOP FEATURES

- 24" (60cm) ceramic electric cooktop with stainless steel trim
- Chrome control knobs
- 4 Hi-Lite zones with 9 power levels
- Quick heating ribbon elements
- Child safety lock
- Residual heat indicator
- 2" deep for easy installation

### COOKTOP PERFORMANCE

- 4 High-Lite Zones
  - 2 x 145mm Hi-lite element – 1,200 Watts
  - 1 x 180mm Hi-lite element – 1,800 Watts
  - 1 x 210mm Hi-lite heating – 2,200 Watts

### COOKTOP DIMENSIONS

- D: 20<sup>1</sup>/<sub>4</sub>" x W: 23"
- D: 514mm x W: 584mm

### CUT-OUT DIMENSIONS

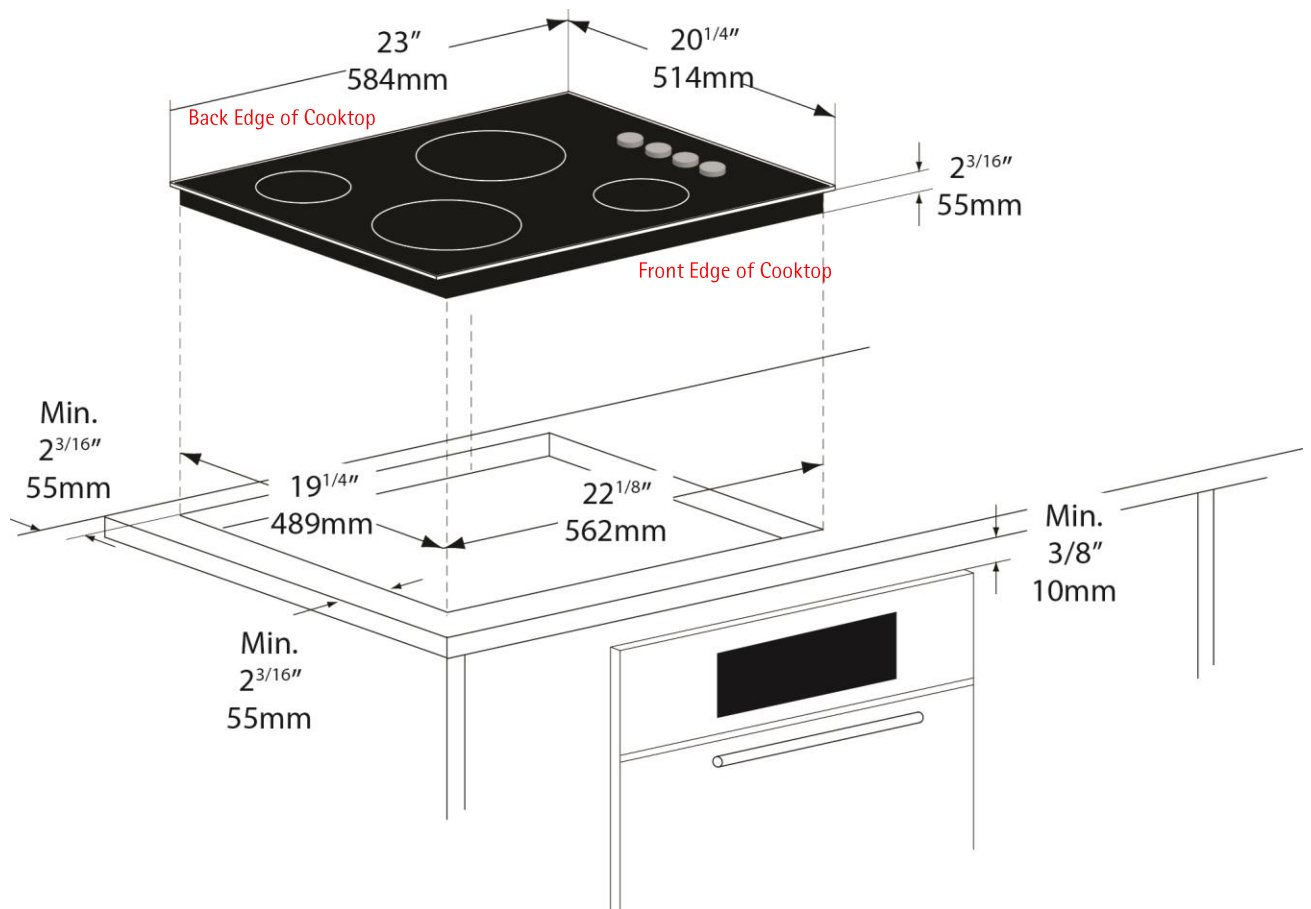
- D: 19<sup>1</sup>/<sub>4</sub>" x W: 22<sup>1</sup>/<sub>8</sub>"
- D: 489mm x W: 562mm

### ELECTRICAL REQUIREMENTS

- 208 / 230 Volt, 60Hz, 30 AMP / 5800W
- AEG ovens are supplied with a 4' long electrical cable and must be hard wired to the electrical supply

# Specifications

## FM600KM-B



Specifications are subject to change without notice.

Detailed Specification Available at [www.aeg-appliances.ca](http://www.aeg-appliances.ca)

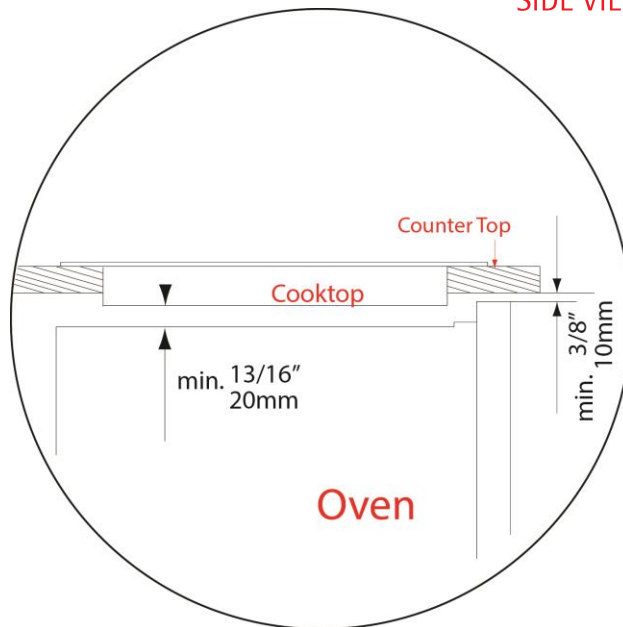
# Specifications

## FM600KM-B

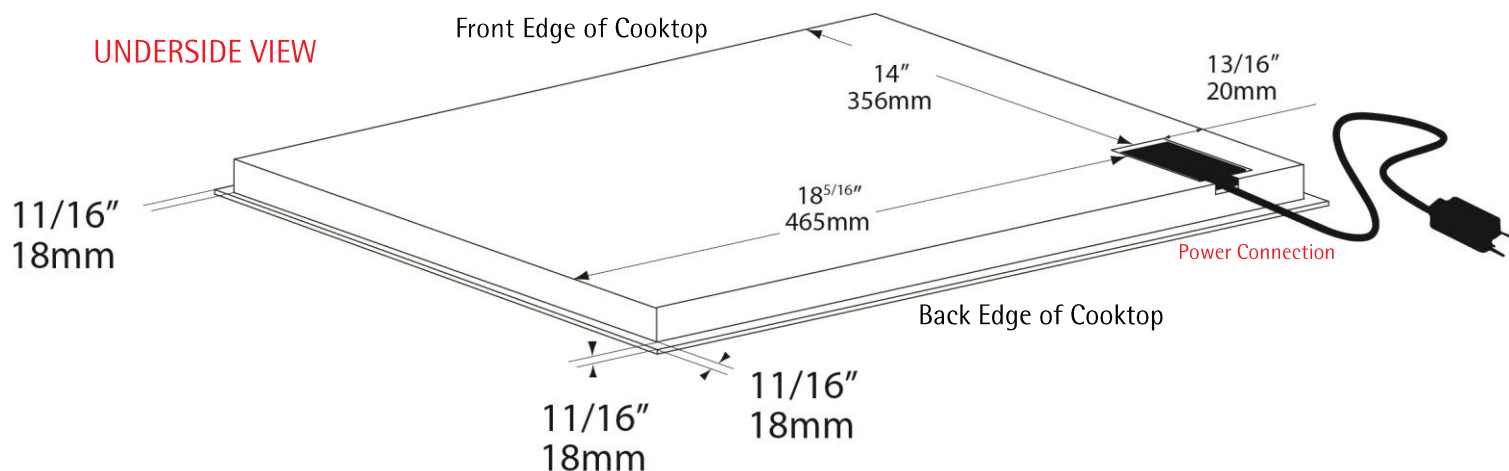
### INSTALLING OVER BUILT-IN OVEN

- There must be a minimum of 20mm ( $13/16''$ ) of space left between the bottom of the cooktop and the oven to allow air to flow.
- There must be a minimum of 5mm ( $3/16''$ ) of space left between the counter top and the door panel of a built-in oven / drawer.
- If sufficient air flow is not provided, the life of the appliance will be shortened.

SIDE VIEW



UNDERSIDE VIEW



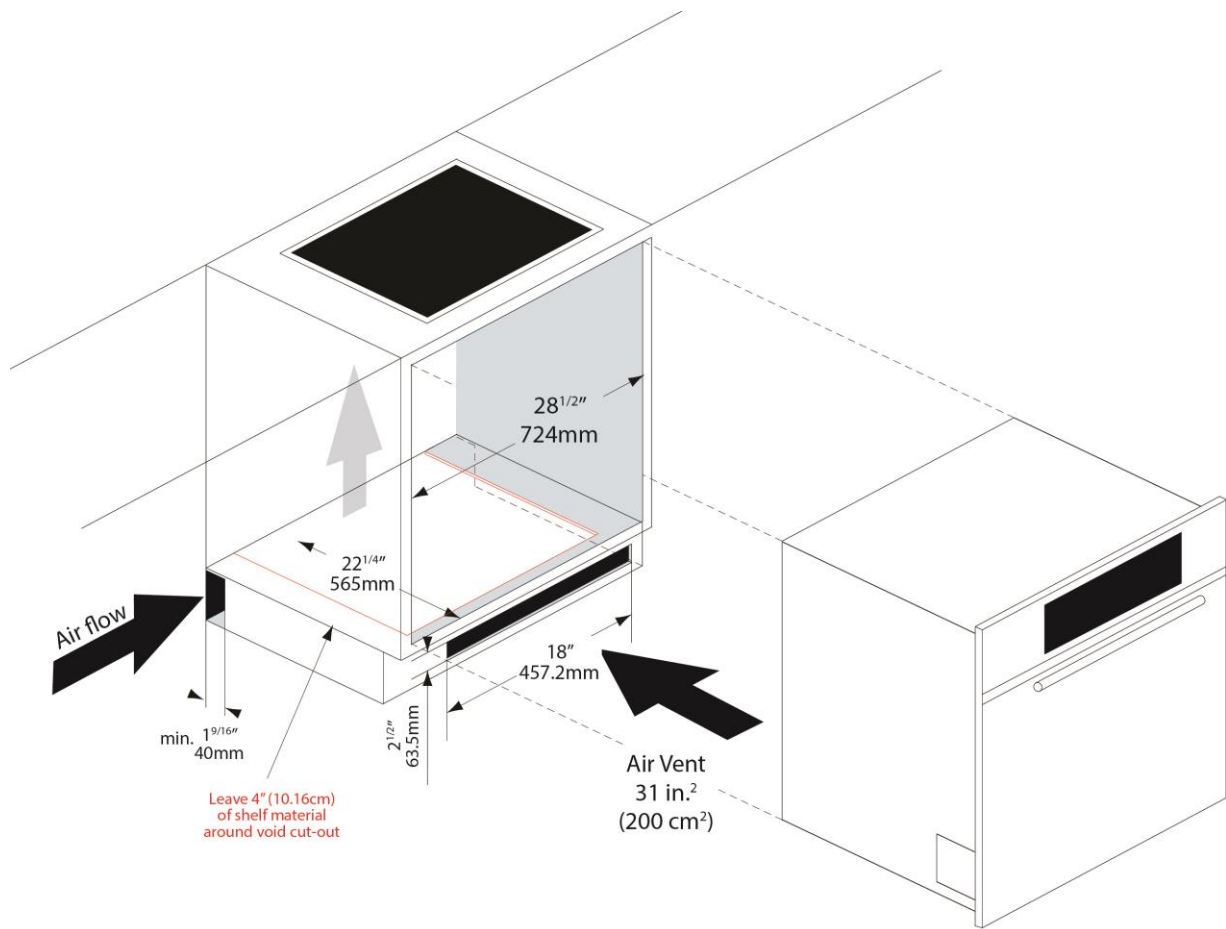
Specifications are subject to change without notice.

Detailed Specification Available at [www.aeg-appliances.ca](http://www.aeg-appliances.ca)

# Specifications

## FM600KM-B

### RECOMMENDED CABINET DESIGN



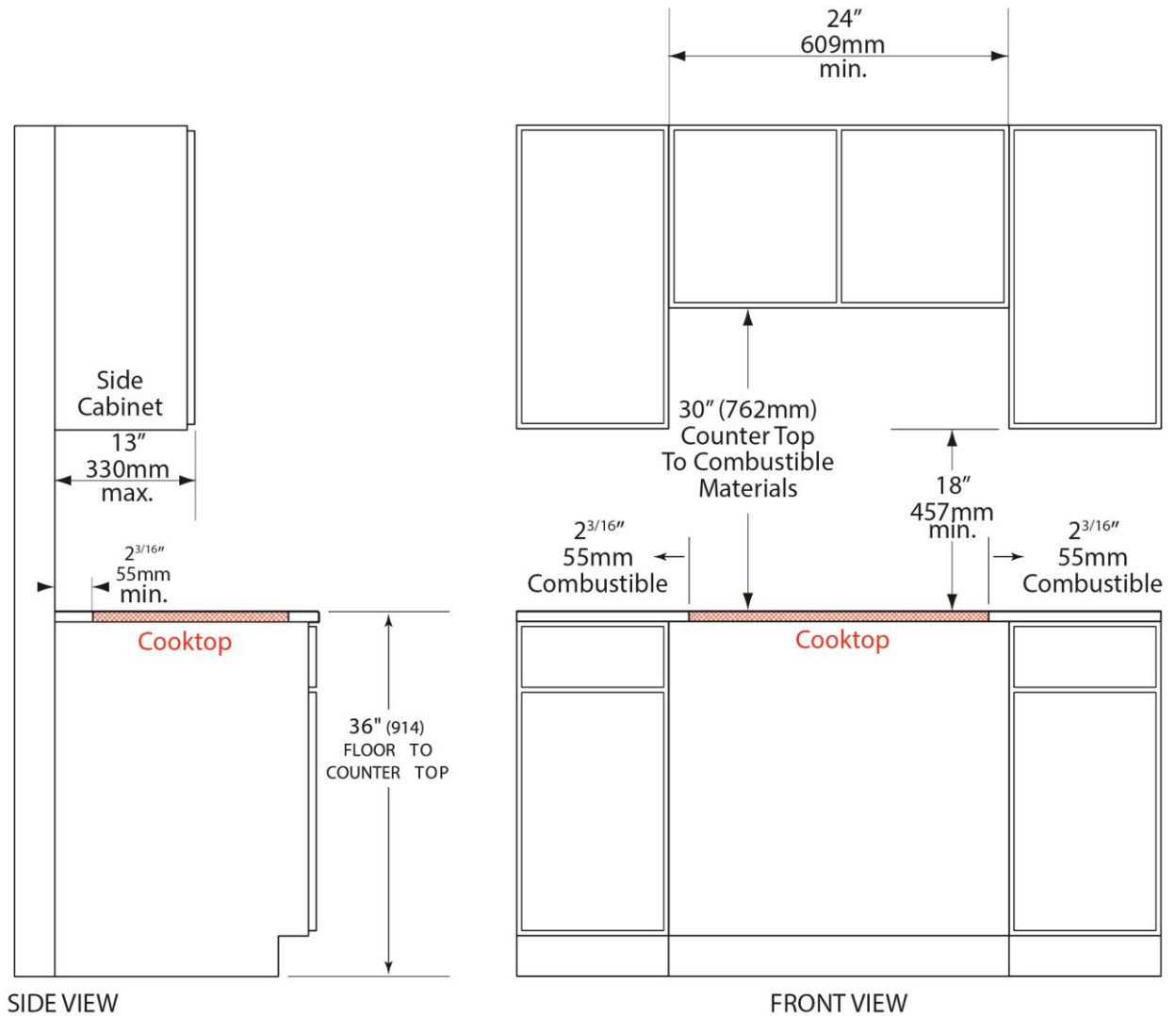
Specifications are subject to change without notice.

Detailed Specification Available at [www.aeg-appliances.ca](http://www.aeg-appliances.ca)

# Specifications

## FM600KM-B

### RECOMMENDED CABINET MINIMUM CLEARANCE



\* Minimum clearance from cooktop cut-out to combustible materials up to 18" (457mm) above countertop

Specifications are subject to change without notice.

Detailed Specification Available at [www.aeg-appliances.ca](http://www.aeg-appliances.ca)

**AEG** products are designed and built to the highest standards.  
Each appliance is covered by a comprehensive 2 year parts and labour warranty.

Refer to product warranty policy for complete terms and conditions.

For Service & Parts  
**EURO-PARTS**

39822 Belgrave Rd,  
Belgrave, Ontario, Canada,  
N0G 1E0

1.800.678.8352

---

AEG appliances are imported and distributed in North America by Euro-Line Appliances Inc.

For more information visit

[www.euro-line-appliances.com](http://www.euro-line-appliances.com) / [www.elawest.com](http://www.elawest.com)

***EURO-LINE APPLIANCES INC.***

871 Cranberry Court  
Oakville, ON L6L 6J7  
Canada  
Toll Free: 1.800.421.6332  
Showroom: 905.829.3980  
[marketing@euro-line-appliances.com](mailto:marketing@euro-line-appliances.com)

***EURO-LINE APPLIANCES WEST INC.***

2912 West 4th Ave  
Vancouver, BC V6K 1R2  
Canada  
Toll Free: 1.855.ELA WEST (352.9378)  
Showroom: 604.235.3980  
[info@elawest.com](mailto:info@elawest.com)