

HK654200XB
24" Induction Cooktop

HK654200XB

24" Induction Cooktop



COOKTOP FEATURES

- 24" (60cm) induction cooktop
- Stainless steel trim
- DirekTouch slide design touch controls
- 4 induction zones with 14 power levels
- LED display indicating power level
- Power Boost
- Adjustable timer – max 99 mins.
- Stop+Go function
- Child safety lock
- Residual heat indicator
- 3.5" deep for easy installation

COOKTOP PERFORMANCE

- 4 induction zones

2 x 18cm Single Zones: 1800 Watts

1 x 14.5cm Single Zone: 2500 Watts

1 x 21cm Single Zone: 2300 Watts

COOKTOP DIMENSIONS

- D: 20^{5/16}" x W: 22^{11/16}"
- D: 516mm x W: 576mm

CUT-OUT DIMENSIONS

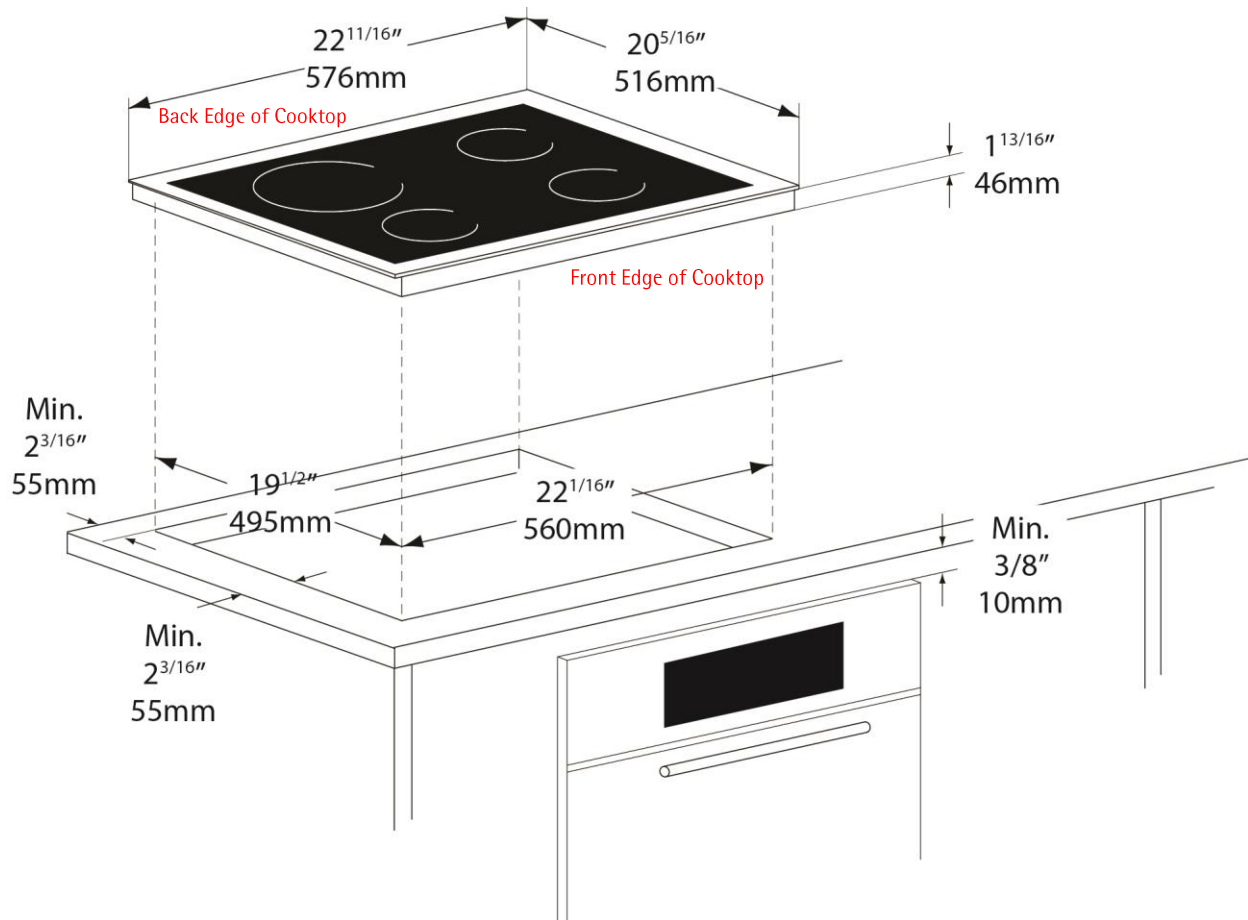
- D: 19^{1/2}" x W: 22^{1/16}"
- D: 495mm x W: 560mm

ELECTRICAL REQUIREMENTS

- 208 / 230 Volt, 60Hz, 40 AMP, 7100W
- AEG Cooktops are supplied with a 5' long electrical cable and must be hard wired to the electrical supply.

Specifications

HK654200XB



Specifications are subject to change without notice.

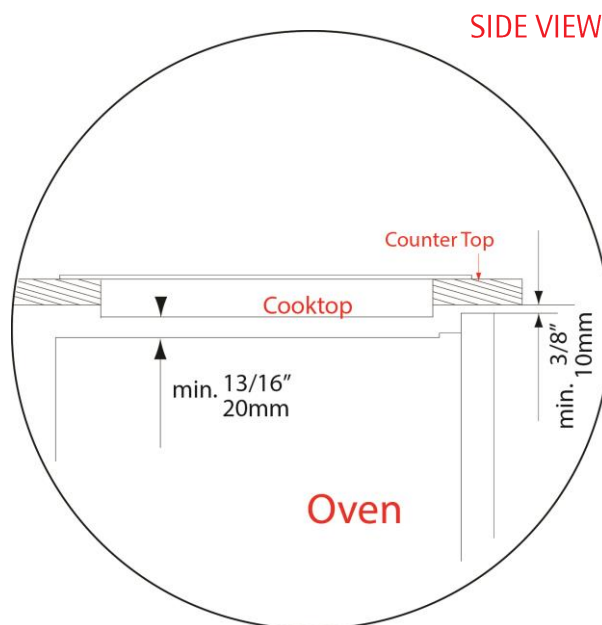
Detailed Specification Available at www.aeg-appliances.ca

Specifications

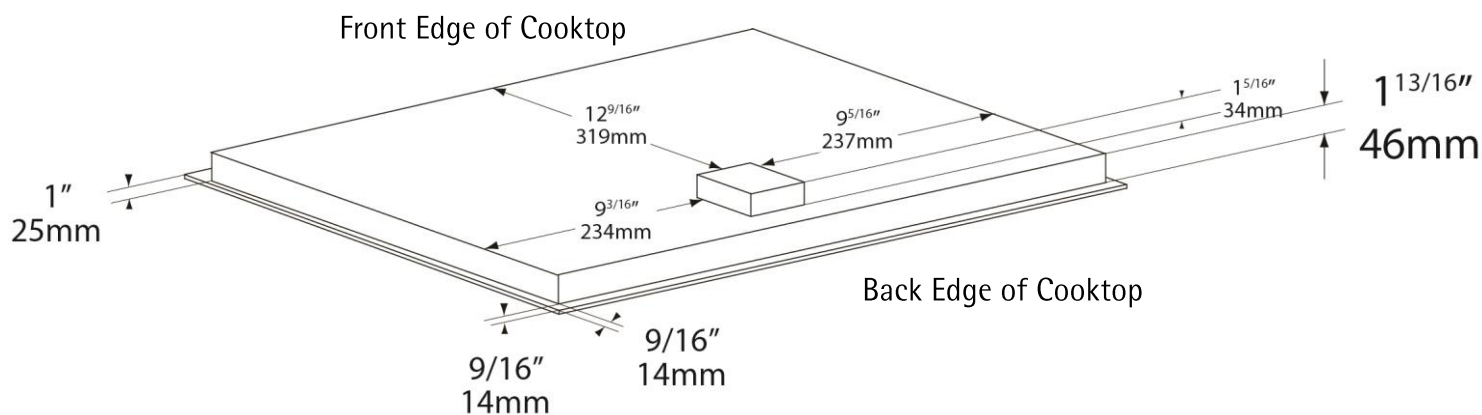
HK654200XB

INSTALLING OVER BUILT-IN OVEN

- There must be a minimum of 20mm ($13/16''$) of space left between the bottom of the cooktop and the oven to allow air to flow.
- There must be a minimum of 5mm ($3/16''$) of space left between the counter top and the door panel of a built-in oven / drawer.
- If sufficient air flow is not provided, the life of the appliance will be shortened.



UNDERSIDE VIEW



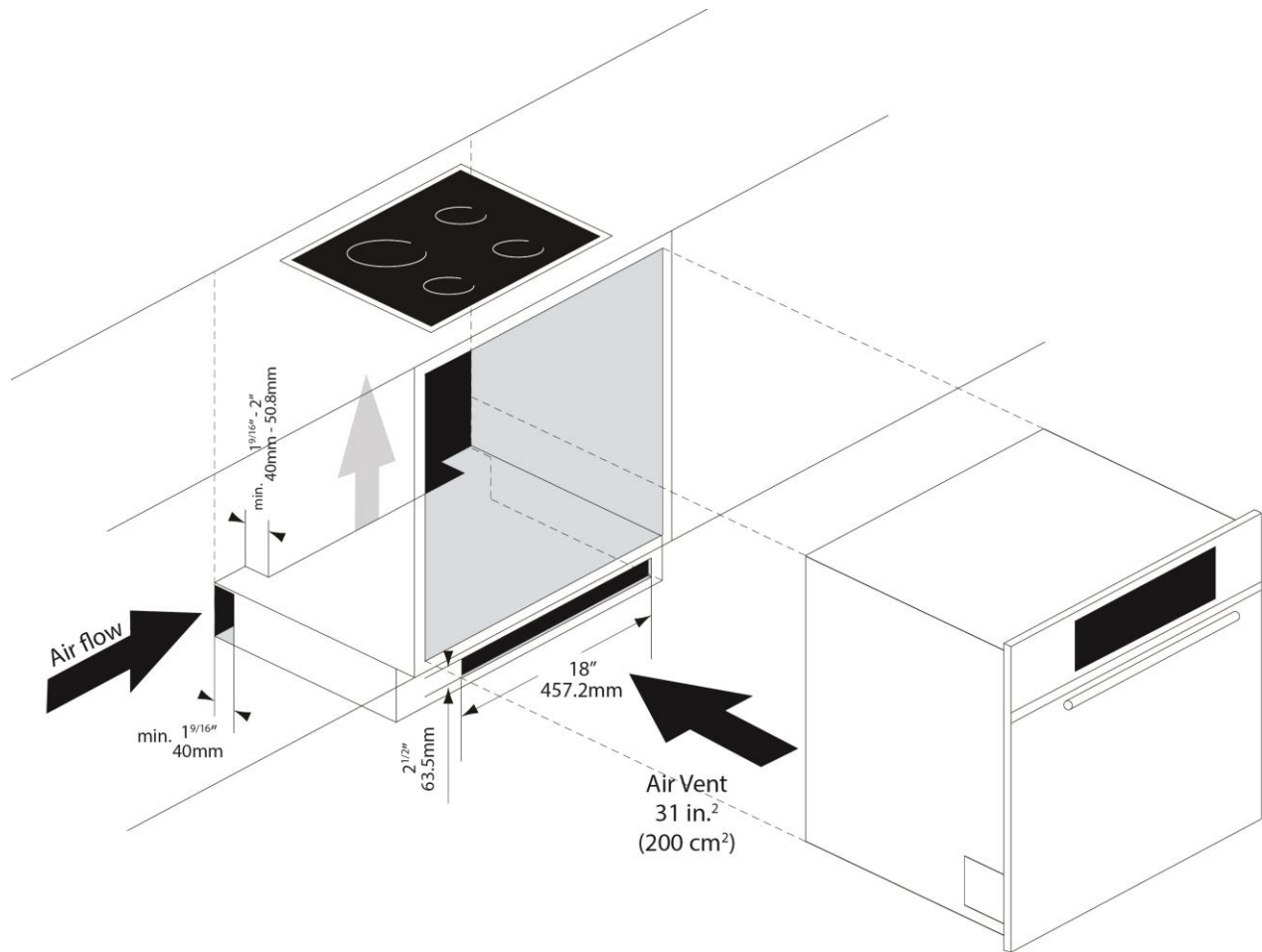
Specifications are subject to change without notice.

Detailed Specification Available at www.aeg-appliances.ca

Specifications

HK654200XB

RECOMMENDED CABINET DESIGN



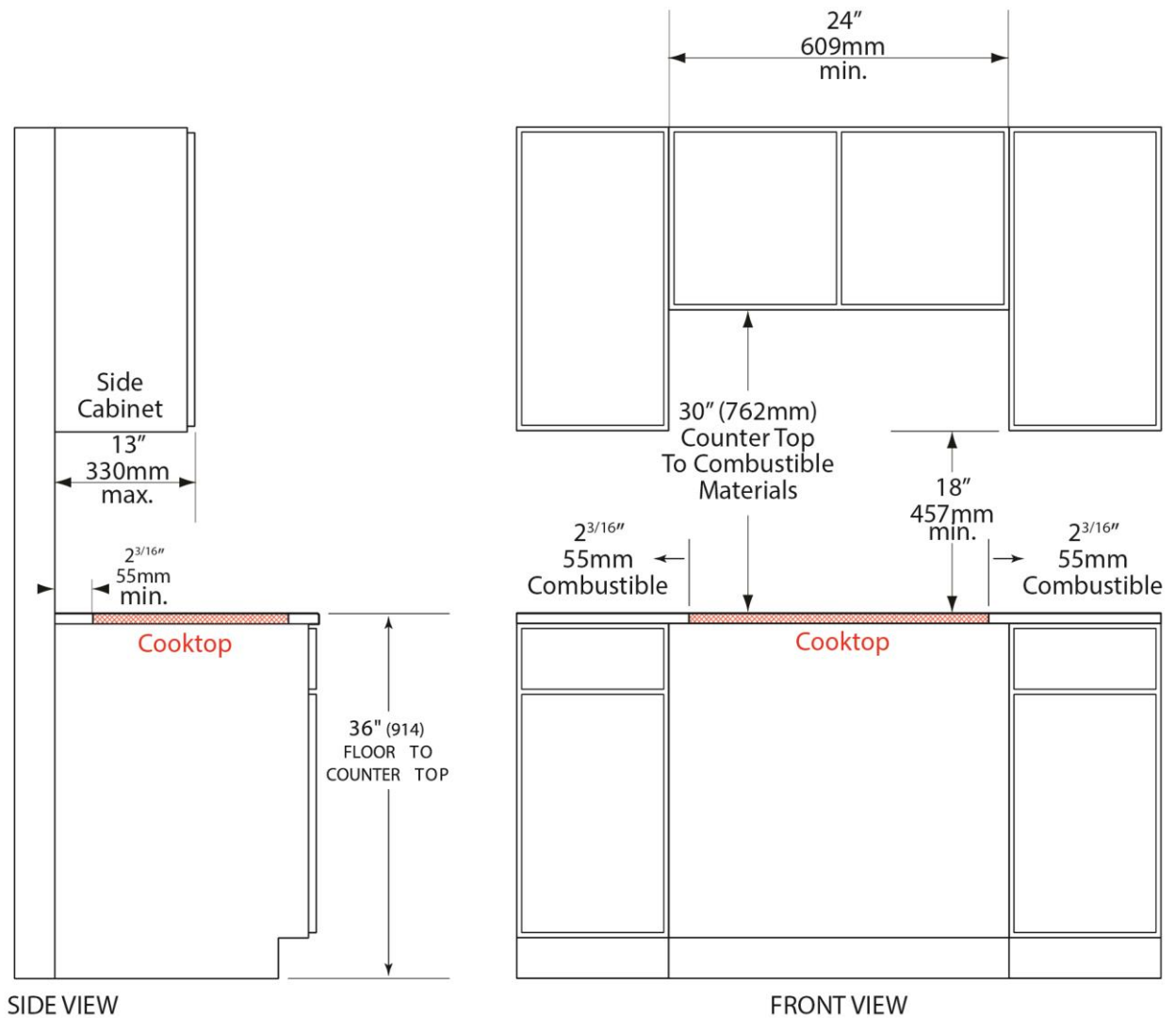
Specifications are subject to change without notice.

Detailed Specification Available at www.aeg-appliances.ca

Specifications

HK654200XB

RECOMMENDED CABINET MINIMUM CLEARANCE



* Minimum clearance from cooktop cut-out to combustible materials up to 18" (457mm) above countertop

Specifications are subject to change without notice.

Detailed Specification Available at www.aeg-appliances.ca

AEG products are designed and built to the highest standards.
Each appliance is covered by a comprehensive 2 year parts and labour warranty.

Refer to product warranty policy for complete terms and conditions.

For Service & Parts
EURO-PARTS

39822 Belgrave Rd,
Belgrave, Ontario, Canada,
N0G 1E0

1.800.678.8352

AEG appliances are imported and distributed in North America by Euro-Line Appliances Inc.

For more information visit

www.euro-line-appliances.com / www.elawest.com

EURO-LINE APPLIANCES INC.

871 Cranberry Court
Oakville, ON L6L 6J7
Canada
Toll Free: 1.800.421.6332
Showroom: 905.829.3980
marketing@euro-line-appliances.com

EURO-LINE APPLIANCES WEST INC.

2912 West 4th Ave
Vancouver, BC V6K 1R2
Canada
Toll Free: 1.855.ELA WEST (352.9378)
Showroom: 604.235.3980
info@elawest.com