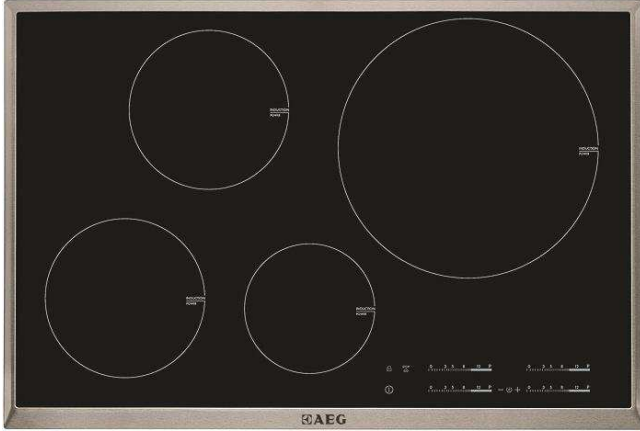


HK854220XB  
30" Induction Cooktop

**AEG**

# HK854220XB

## 30" Induction Cooktop



### COOKTOP FEATURES

- 30" (76cm) induction cooktop
- Stainless steel trim
- DirekTouch slide design touch controls
- 4 induction zones with 14 power levels
- LED display indicating power level
- Power Boost
- Adjustable timer – max 99 mins.
- Stop+Go function
- Child safety lock
- Residual heat indicator
- 4" deep for easy installation

### COOKTOP PERFORMANCE

- 4 Induction Zones
  - 2 x 18cm Single Zones:
    - 1800 Watts
    - BOOST: 2800 Watts
  - 1 x 14.5cm Single Zone:
    - 1400 Watts
    - BOOST: 2500 Watts
  - 1 x 30cm Single Zone:
    - 2400 Watts
    - BOOST: 3700 Watts

### COOKTOP DIMENSIONS

- D: 19<sup>3/4</sup>" x W: 30"
- D: 501mm x W: 761mm

### CUT-OUT DIMENSIONS

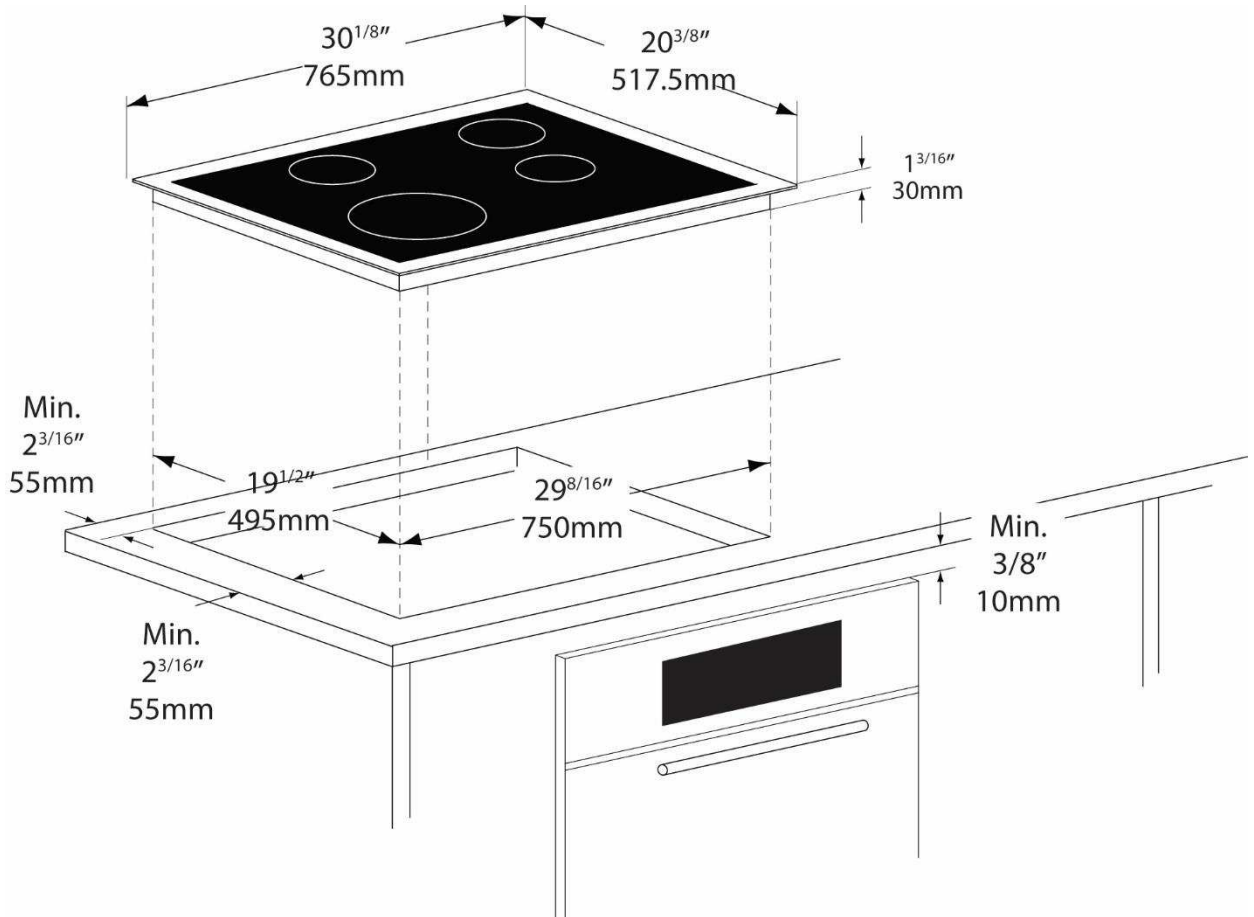
- D: 19<sup>1/2</sup>" x W: 29<sup>8/16</sup>"
- D: 495mm x W: 750mm

### ELECTRICAL REQUIREMENTS

- 208 / 230 Volt, 60Hz, 40 AMP
- AEG Cooktops are supplied with a 5' long electrical cable and must be hard wired to the electrical supply.

# Specifications

## HK854220XB



### COOKTOP DIMENSIONS

- D: 19<sup>3/4</sup>" x W: 30"
- D: 501mm x W: 761mm

### CUT-OUT DIMENSIONS

- D: 19<sup>1/2</sup>" x W: 29<sup>8/16</sup>"
- D: 495mm x W: 750mm

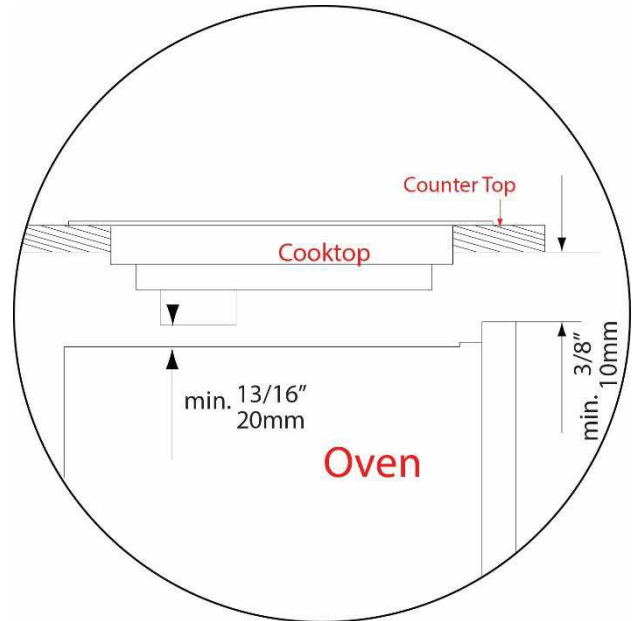
# Specifications

HK854220XB

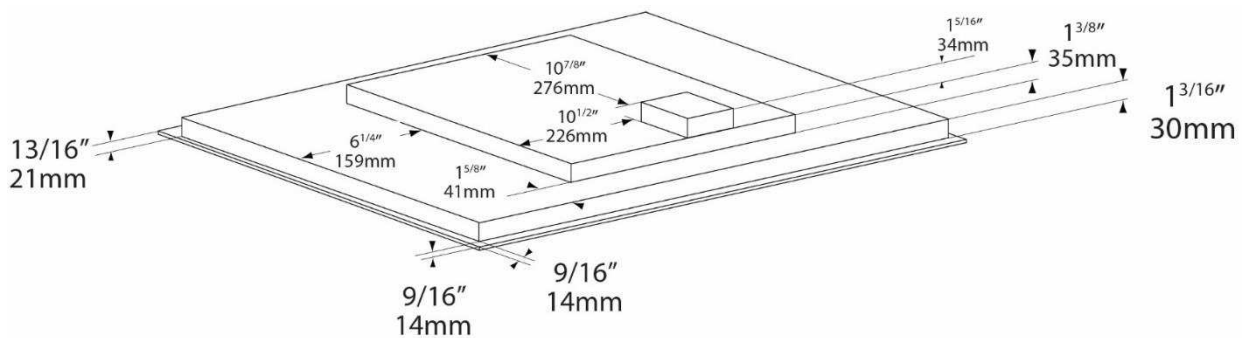
## INSTALLING OVER BUILT-IN OVEN

- There must be a minimum of 20mm ( $13/16''$ ) of space left between the bottom of the cooktop and the oven to allow air to flow.
- There must be a minimum of 5mm ( $3/16''$ ) of space left between the counter top and the door panel of a built-in oven / drawer.
- If sufficient air flow is not provided, the life of the appliance will be shortened.

SIDE VIEW

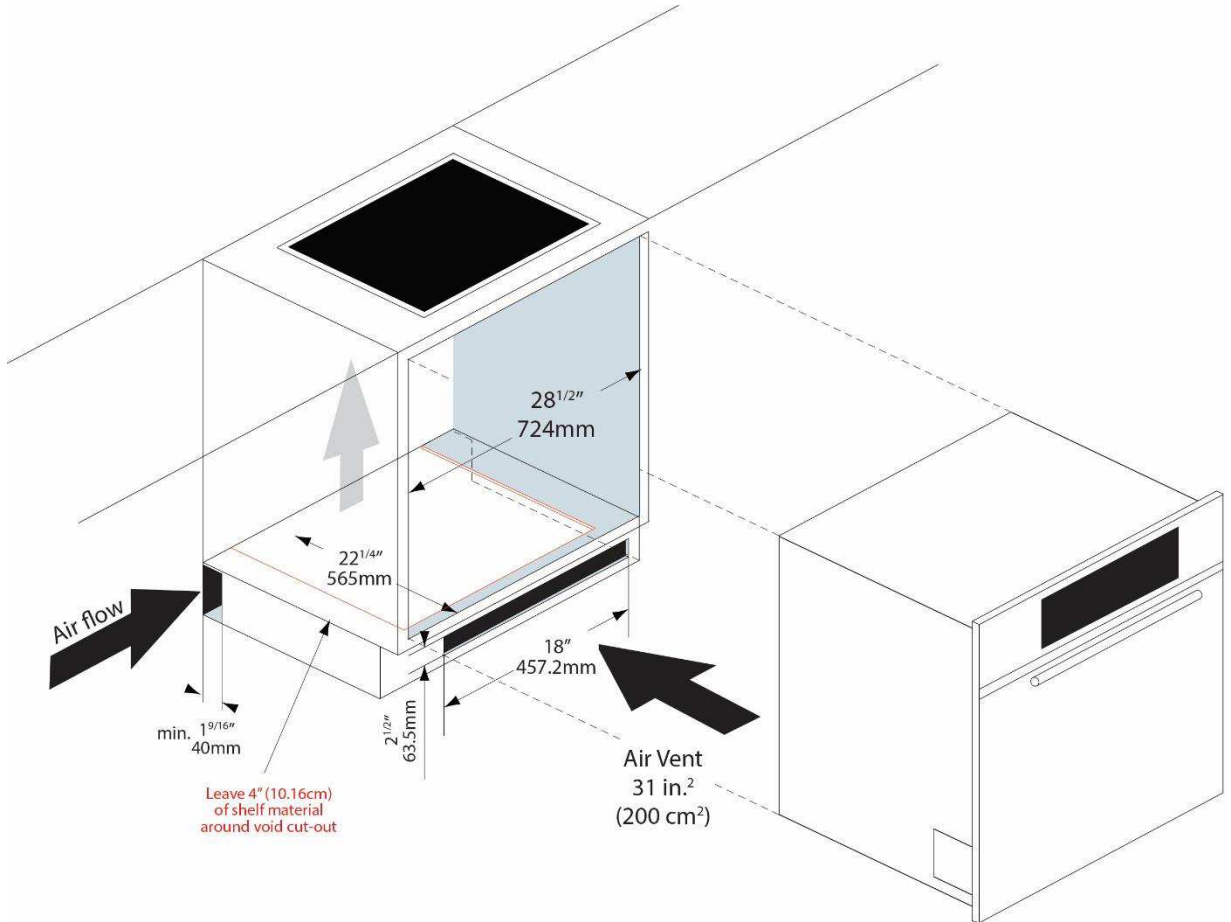


UNDERSIDE VIEW



# Specifications

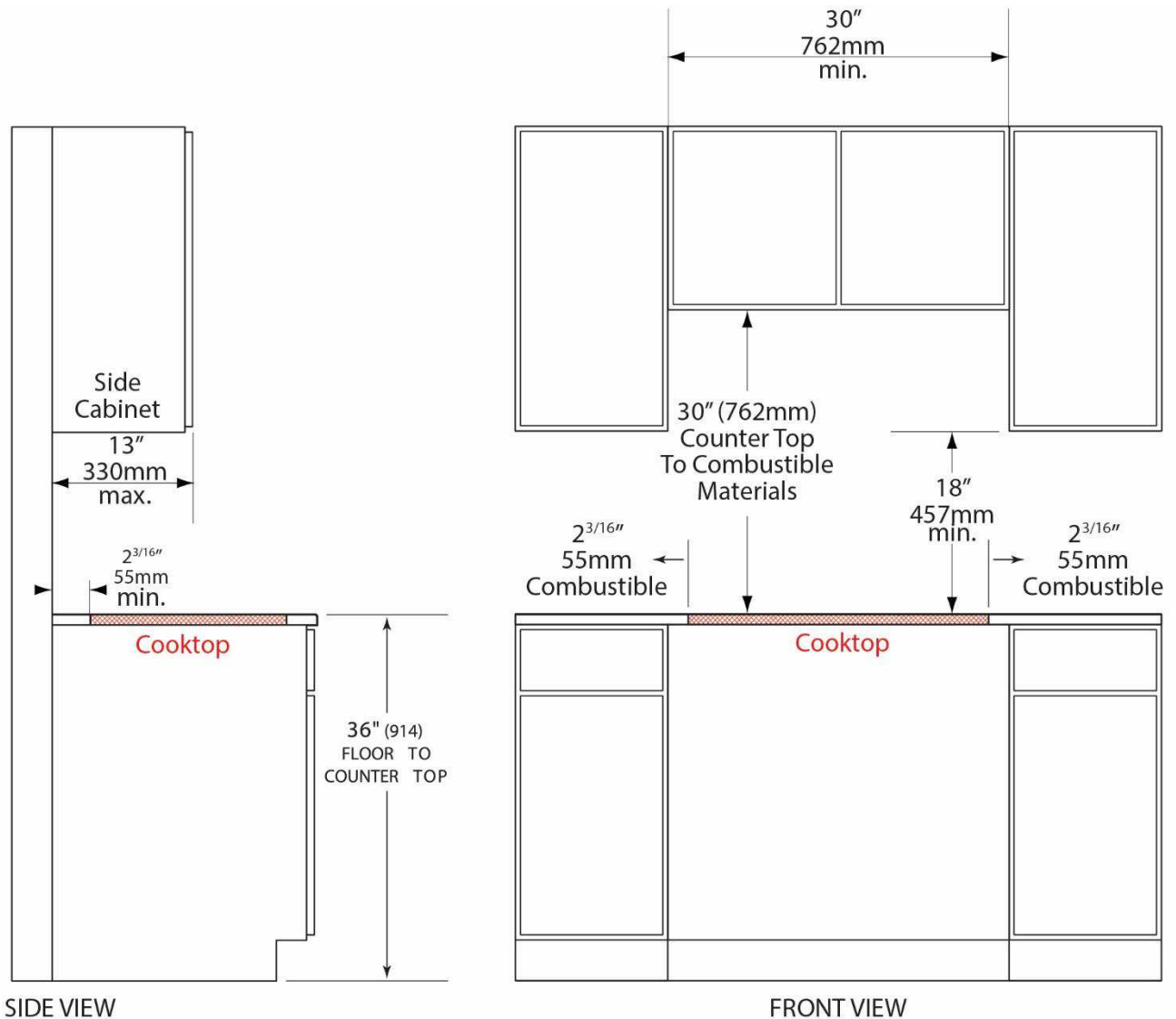
HK854220XB



# Specifications

HK854220XB

## RECOMMENDED CABINET MINIMUM CLEARANCE



\* Minimum clearance from cooktop cut-out to combustible materials up to 18" (457mm) above countertop

# AEG

AEG Appliances are designed and manufactured to the highest standards. Each appliance is covered by a comprehensive 2-year parts and labour warranty.

Refer to product warranty policy for complete terms and conditions.

## FOR PARTS AND SERVICE

Euro-Parts & Service

39822 Belgrave Road, Belgrave, ON. N0G 1E0

1 800 678 8352 (Canada) • 1 800 561 4614 (U.S.)

[www.euro-parts.ca](http://www.euro-parts.ca) • [parts@euro-parts.ca](mailto:parts@euro-parts.ca) • [service@euro-parts.ca](mailto:service@euro-parts.ca)

AEG appliances are imported and distributed in North America by Euro-Line Appliances Inc. For more information, please visit one of our showrooms or

[www.euro-line-appliances.com](http://www.euro-line-appliances.com)   [www.elawest.com](http://www.elawest.com)

## ***EURO-LINE APPLIANCES INC.***

871 Cranberry Court  
Oakville, ON L6L 6J7 Canada  
905 829 3980  
1 800 421 6332

[marketing@euro-line-appliances.com](mailto:marketing@euro-line-appliances.com)

## ***EURO-LINE APPLIANCES WEST INC.***

2912 West 4th Avenue  
Vancouver, BC V6K 1R2 Canada  
604 235 3980  
1 855 ELA WEST (352.9378)

[info@elawest.com](mailto:info@elawest.com)

