

HK953400FB
36" Induction Cooktop

HK953400FB

36" Induction Cooktop



COOKTOP DIMENSIONS

- D: 16^{1/8"} x W: 35^{7/8"}
- D: 410mm x W: 911mm

CUT-OUT DIMENSIONS

- D: 14^{15/16"} x W: 34^{5/8"}
- D: 380mm x W: 880mm

ELECTRICAL REQUIREMENTS

- 208 / 230 Volt, 60Hz, 40 AMP, 6900W
- AEG ovens are supplied with a 4' long electrical cable and must be hard wired to the electrical supply

COOKTOP FEATURES

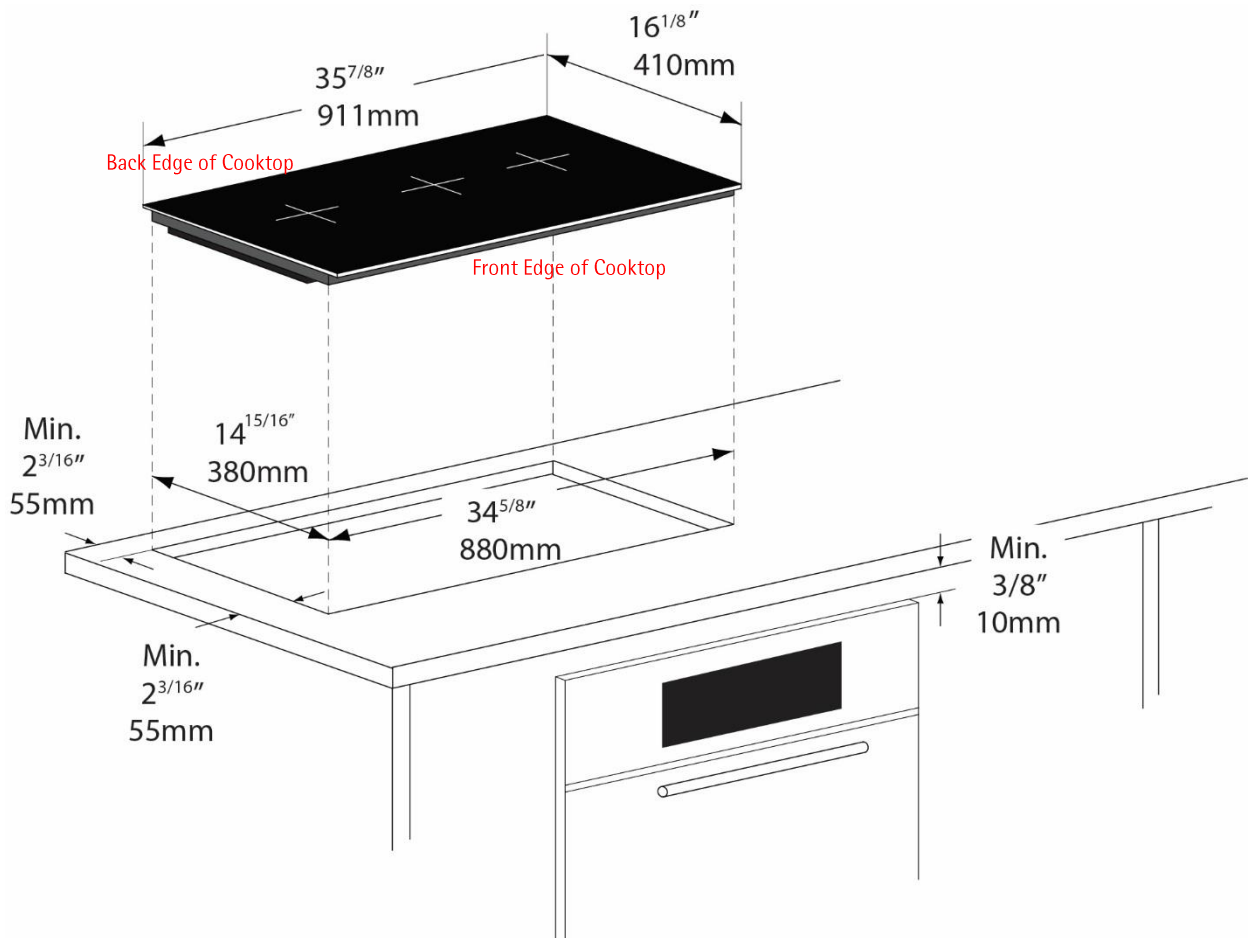
- 36" (60cm) induction cooktop
- 3 temperature zone induction cooktop with 15 power levels. LED display indicating level of power in use
- DirekTouch™ controls
- PowerBoost on all three zones to get you to the boil extremely quickly
- MaxiSense® induction cooktop, you can place your pan anywhere. Heating zones will automatically adapt to the size and position of your cookware. You can cook with long pans or with multiple pans at the same time.
- AutoMax function
- Adjustable timer (max 99 minutes)
- Stop+Go function
- Residual heat indicators
- Automatic shut-off

COOKTOP PERFORMANCE

- 3 MaxiSense® induction cooktop zones
 - 3 x 125mm induction zones – 2,300 Watts
 - Power Boost – 3,200 Watts

Specifications

HK953400FB



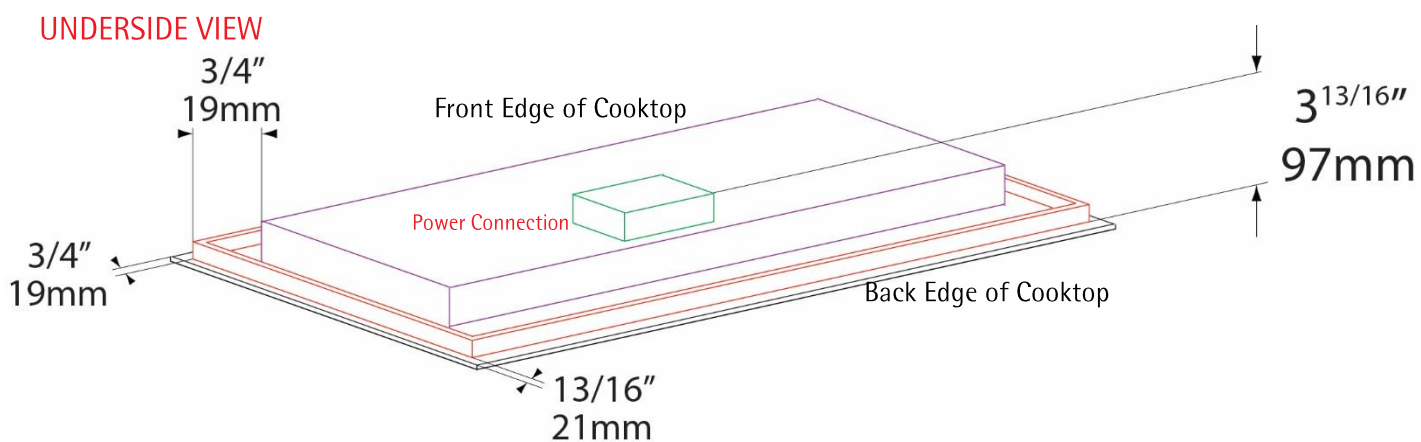
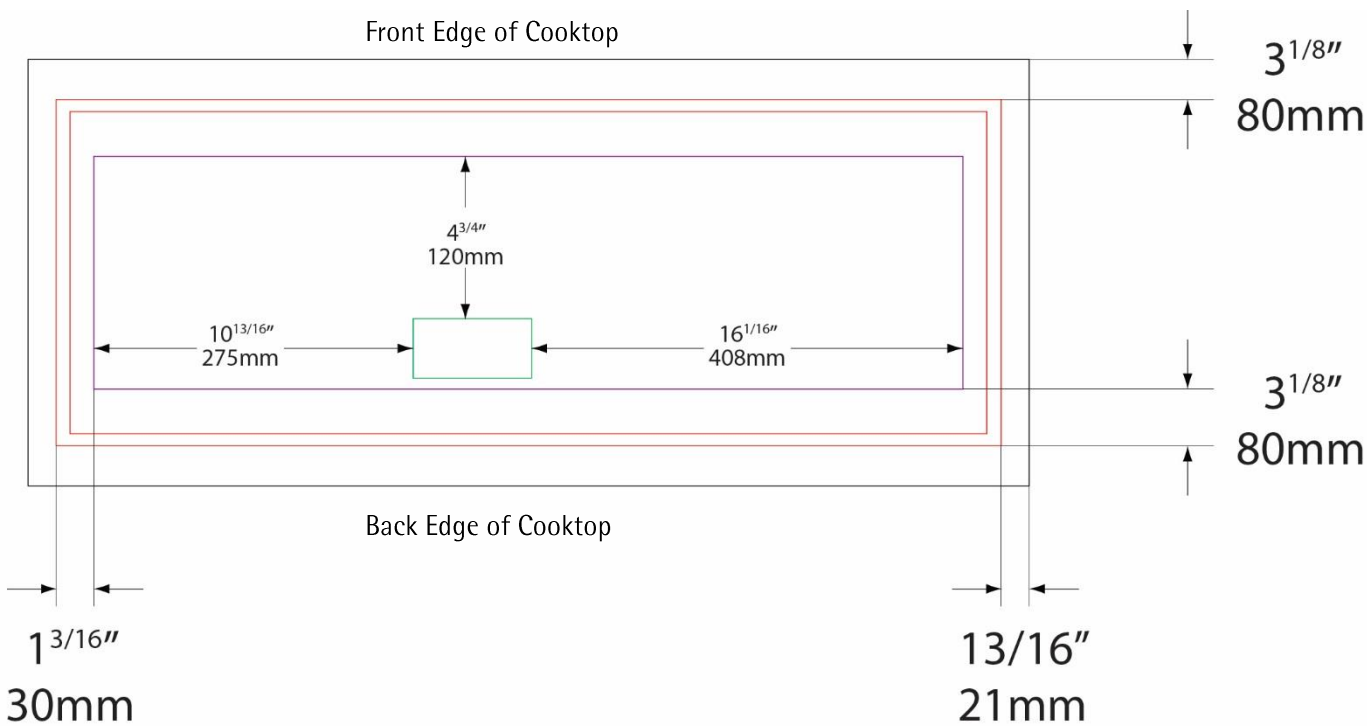
Specifications are subject to change without notice.

Detailed Specification Available at www.aeg-appliances.ca

Specifications

HK953400FB

OVERHEAD VIEW (UNDERSIDE of COOKTOP)



Specifications are subject to change without notice.

Detailed Specification Available at www.aeg-appliances.ca

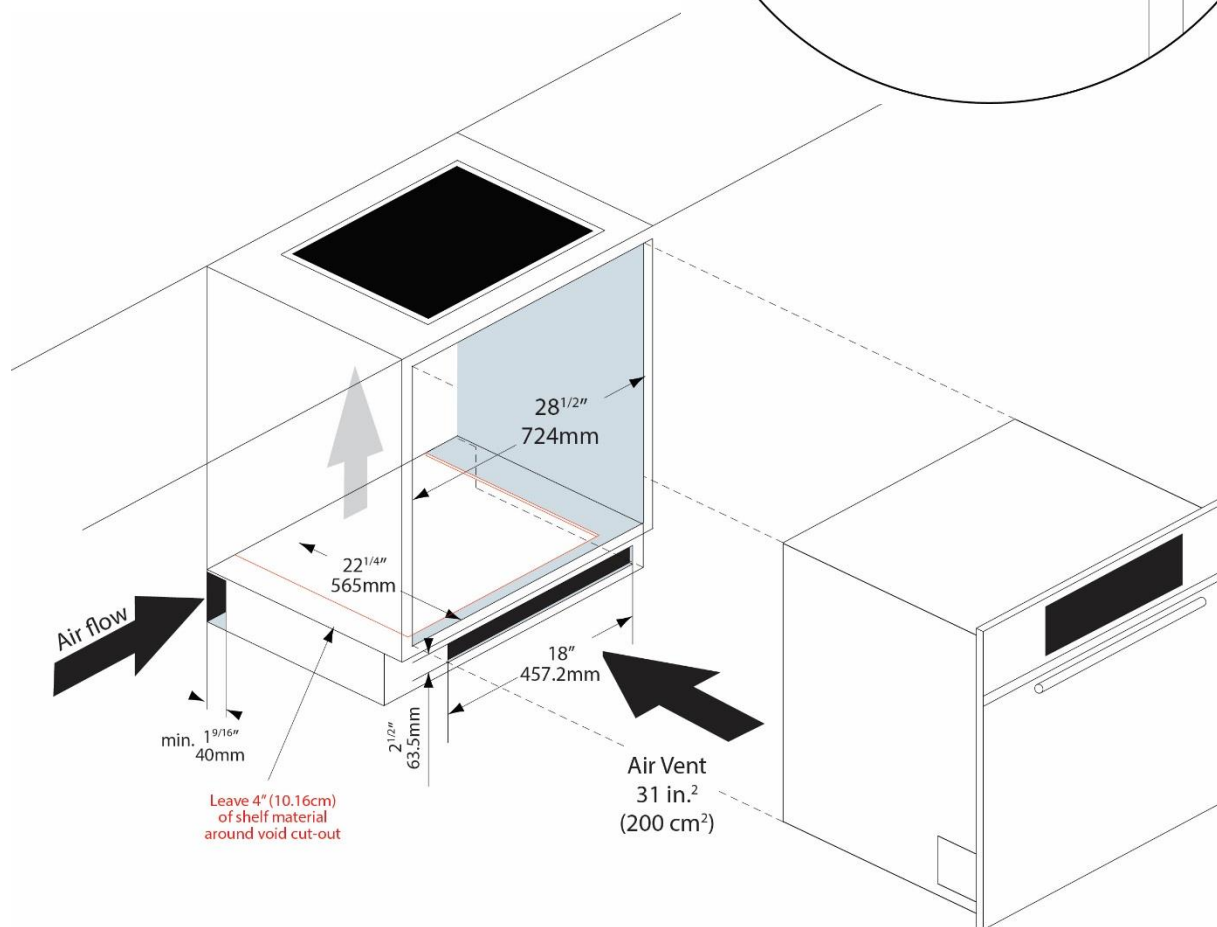
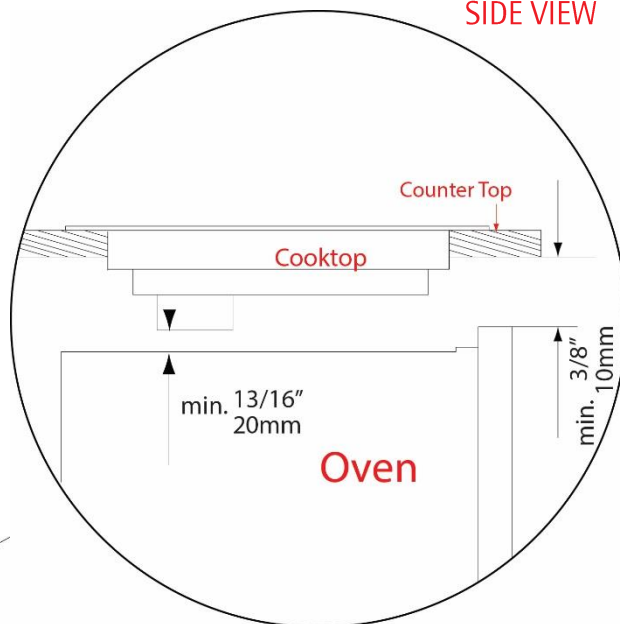
Specifications

HK953400FB

INSTALLING OVER BUILT-IN OVEN

- There must be a minimum of 20mm (13/16") of space left between the bottom of the cooktop and the oven to allow air to flow.
- There must be a minimum of 5mm (3/16") of space left between the counter top and the door panel of a built-in oven / drawer.
- If sufficient air flow is not provided, the life of the appliance will be shortened.

SIDE VIEW



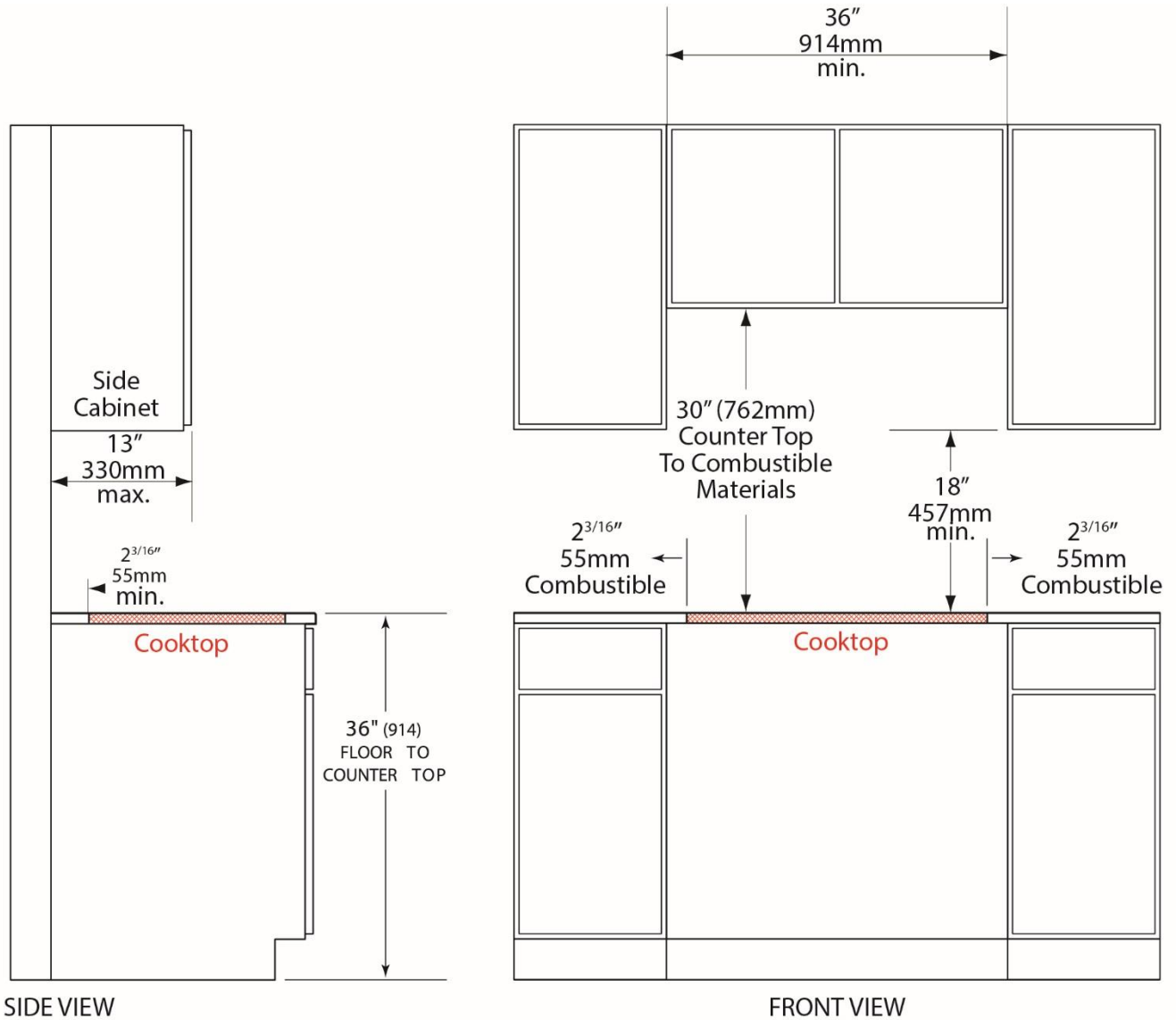
Specifications are subject to change without notice.

Detailed Specification Available at www.aeg-appliances.ca

Specifications

HK953400FB

RECOMMENDED CABINET MINIMUM CLEARANCE



* Minimum clearance from cooktop cut-out to combustible materials up to 18" (457mm) above countertop

Specifications are subject to change without notice.

Detailed Specification Available at www.aeg-appliances.ca

AEG products are designed and built to the highest standards.
Each appliance is covered by a comprehensive 2 year parts and labour warranty.

Refer to product warranty policy for complete terms and conditions.

For Service & Parts
EURO-PARTS

39822 Belgrave Rd,
Belgrave, Ontario, Canada,
N0G 1E0

1.800.678.8352

AEG appliances are imported and distributed in North America by Euro-Line Appliances Inc.

For more information visit

www.euro-line-appliances.com / www.elawest.com

EURO-LINE APPLIANCES INC.

871 Cranberry Court
Oakville, ON L6L 6J7
Canada
Toll Free: 1.800.421.6332
Showroom: 905.829.3980
marketing@euro-line-appliances.com

EURO-LINE APPLIANCES WEST INC.

2912 West 4th Ave
Vancouver, BC V6K 1R2
Canada
Toll Free: 1.855.ELA WEST (352.9378)
Showroom: 604.235.3980
info@elawest.com