

HK955070XB
36" Ceramic Electric Cooktop

HK955070XB

36" Ceramic Electric Cooktop



COOKTOP FEATURES

- 36" (90cm) Ceramic electric cooktop with stainless steel trim
- DirekTouch™ slide design touch controls
- 5 Hi-Lite zones with 15 power levels
- LED display indicating power level
- 2" deep for easy installation
- OptiFit® cooktop with extendable cooking zone
- Adjustable timer – max 99 mins
- Stop+Go function
- Child safety lock
- Residual heat indicator

COOKTOP PERFORMANCE

- 5 Hi-Lite Zones

2 x 180mm Single Zone: 1800 Watts

1 x 145mm Single Zone: 1200 Watts

1 x Oval Expandable Zone

- 1 x 170mm Single Zone: 1400 Watts
- 1 x 265mm Expanded Zone: 2200 Watts

1 x Triple Expanded Zone:

- 1 x 145mm Single Zone: 1050 Watts
- 1 x 210mm Expanded Single Zone: 1950 Watts
- 1 x 270mm Expanded Single Zone: 2700 Watts

COOKTOP DIMENSIONS

- D: 20^{5/16}" x W: 35^{1/4}"
- D: 516mm x W: 896mm

CUT-OUT DIMENSIONS

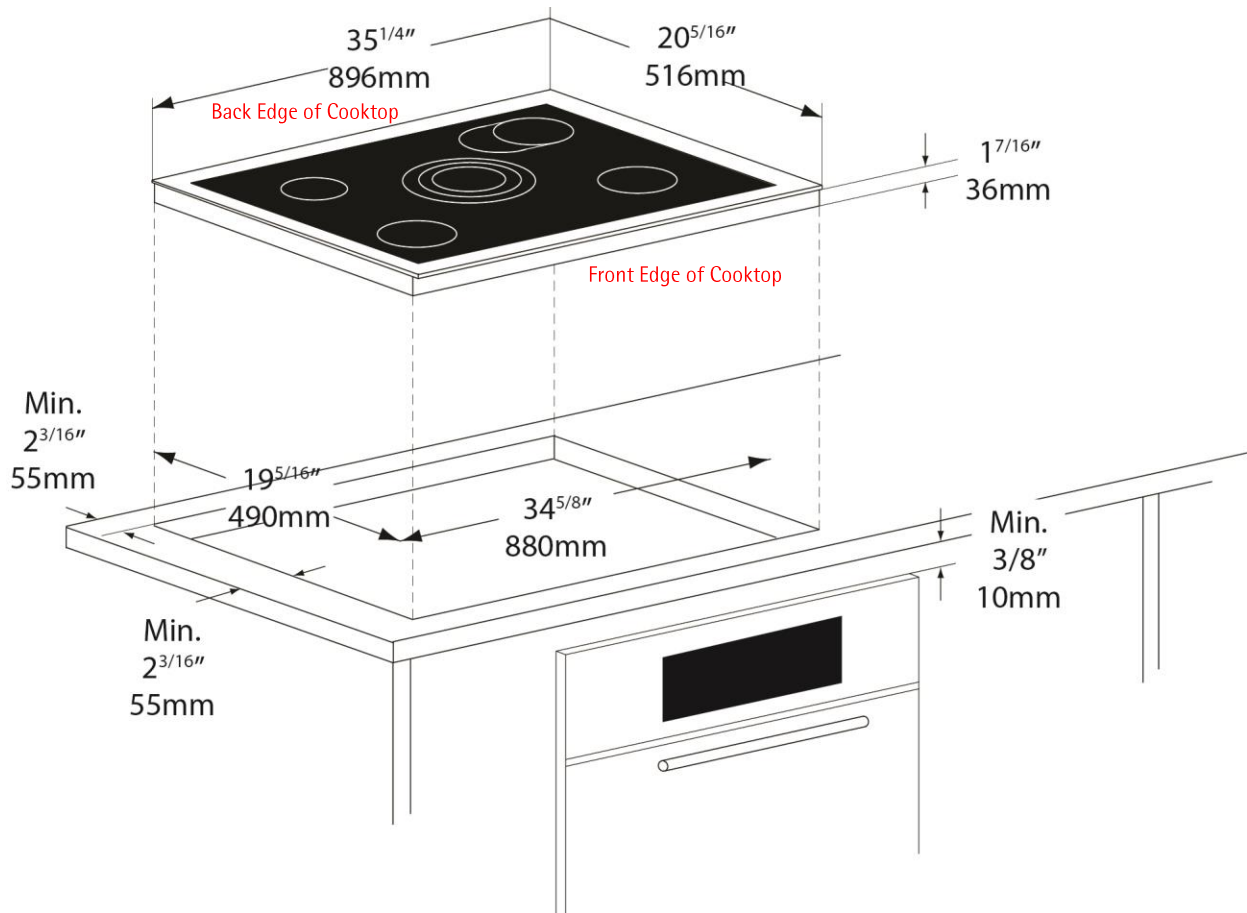
- D: 19^{5/16}" x W: 34^{5/8}"
- D: 490mm x W: 880mm

ELECTRICAL REQUIREMENTS

- 208 / 230 Volt, 60Hz, 50 AMP, 9700W
- AEG Cooktops are supplied with a 5' long electrical cable and must be hard wired to the electrical supply.

Specifications

HK955070XB



Specifications are subject to change without notice.

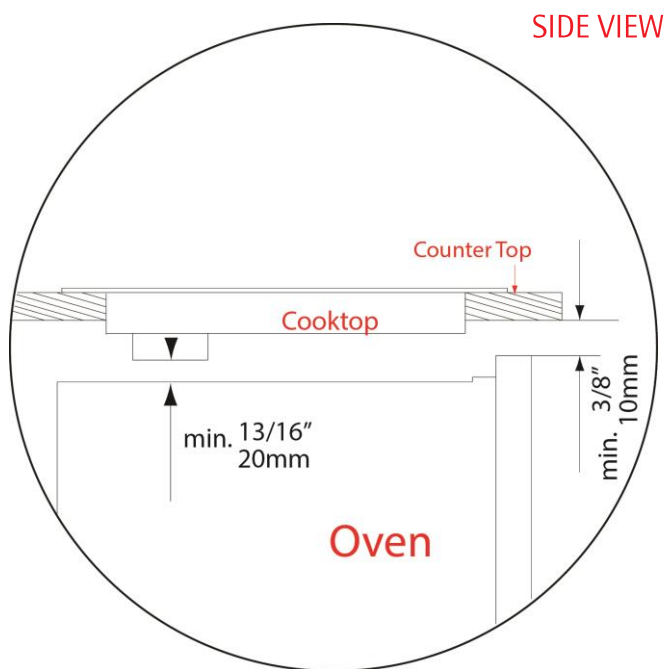
Detailed Specification Available at www.aeg-appliances.ca

Specifications

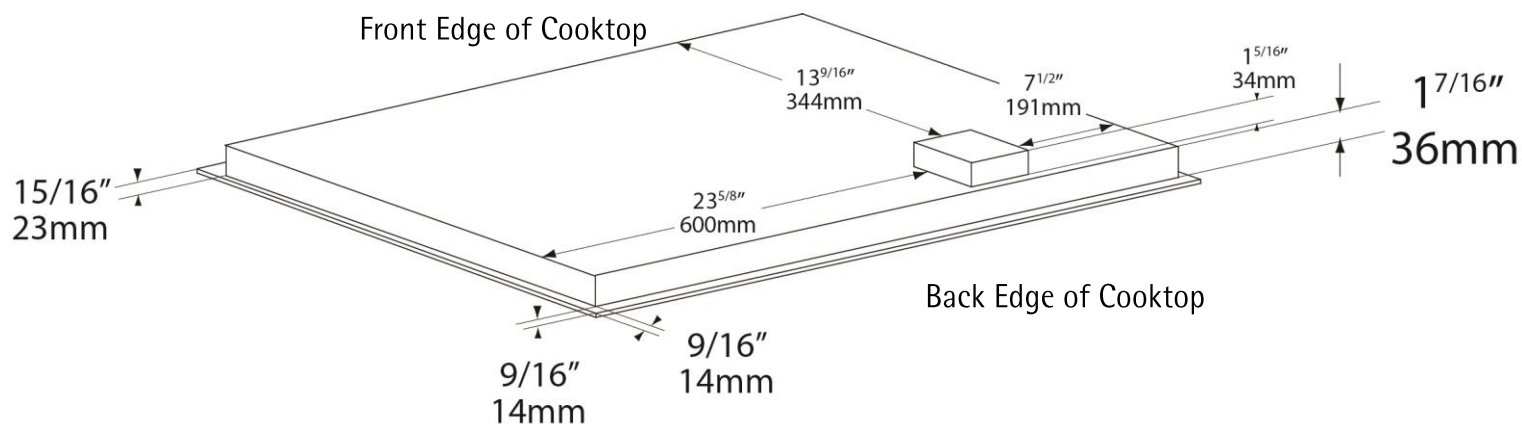
HK955070XB

INSTALLING OVER BUILT-IN OVEN

- There must be a minimum of 20mm ($13/16''$) of space left between the bottom of the cooktop and the oven to allow air to flow.
- There must be a minimum of 5mm ($3/16''$) of space left between the counter top and the door panel of a built-in oven / drawer.
- If sufficient air flow is not provided, the life of the appliance will be shortened.



UNDERSIDE VIEW



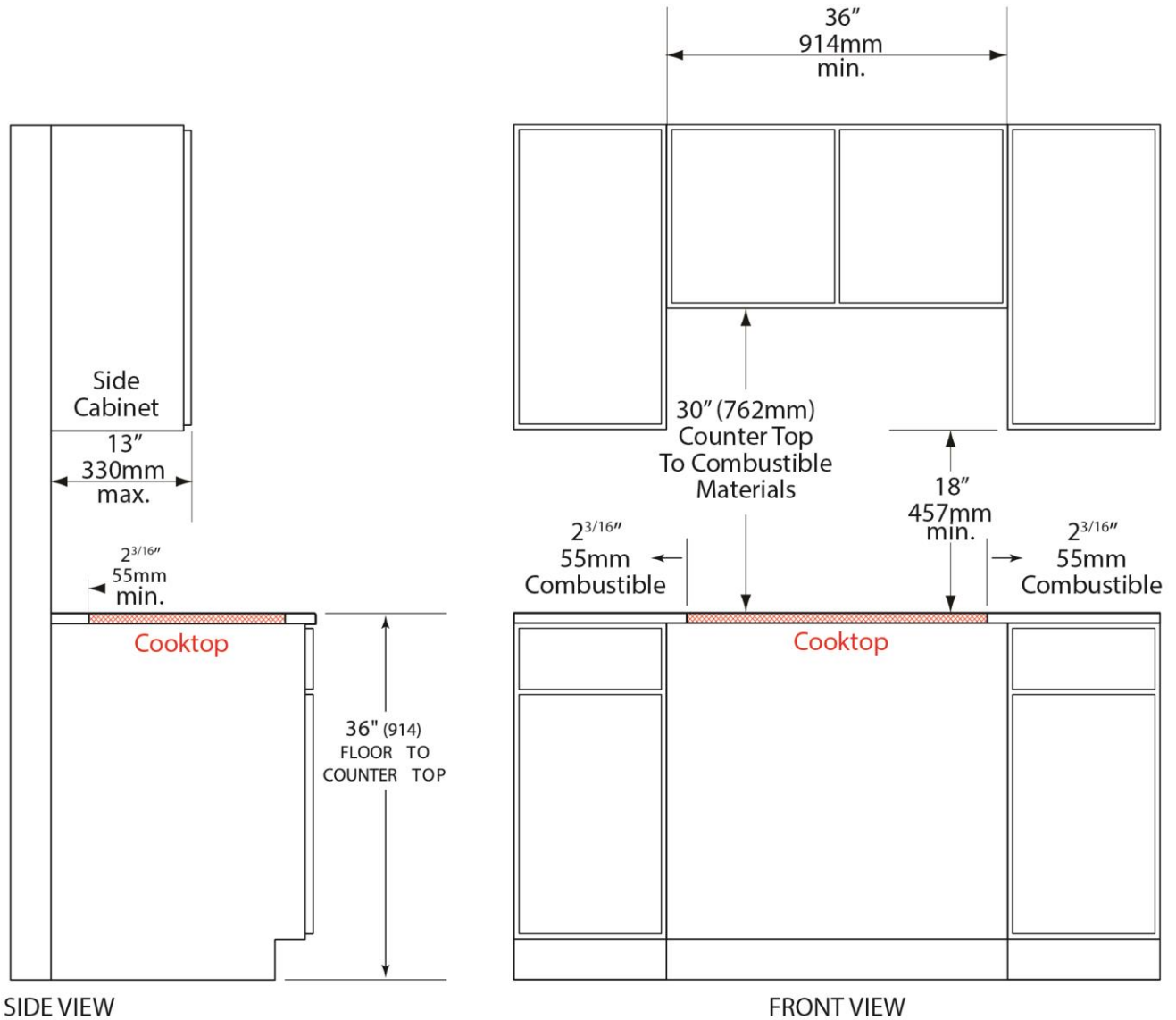
Specifications are subject to change without notice.

Detailed Specification Available at www.aeg-appliances.ca

Specifications

HK953400FB

RECOMMENDED CABINET MINIMUM CLEARANCE



* Minimum clearance from cooktop cut-out to combustible materials up to 18" (457mm) above countertop

Specifications are subject to change without notice.

Detailed Specification Available at www.aeg-appliances.ca

AEG products are designed and built to the highest standards.
Each appliance is covered by a comprehensive 2 year parts and labour warranty.

Refer to product warranty policy for complete terms and conditions.

For Service & Parts
EURO-PARTS

39822 Belgrave Rd,
Belgrave, Ontario, Canada,
N0G 1E0

1.800.678.8352

AEG appliances are imported and distributed in North America by Euro-Line Appliances Inc.

For more information visit

www.euro-line-appliances.com / www.elawest.com

EURO-LINE APPLIANCES INC.

871 Cranberry Court
Oakville, ON L6L 6J7
Canada
Toll Free: 1.800.421.6332
Showroom: 905.829.3980
marketing@euro-line-appliances.com

EURO-LINE APPLIANCES WEST INC.

2912 West 4th Ave
Vancouver, BC V6K 1R2
Canada
Toll Free: 1.855.ELA WEST (352.9378)
Showroom: 604.235.3980
info@elawest.com