

# MWTK-60

## 24" Stainless Steel Trim Kit

Compatible with Panasonic NNSD786, NNSD797 microwave

# MWTK-60

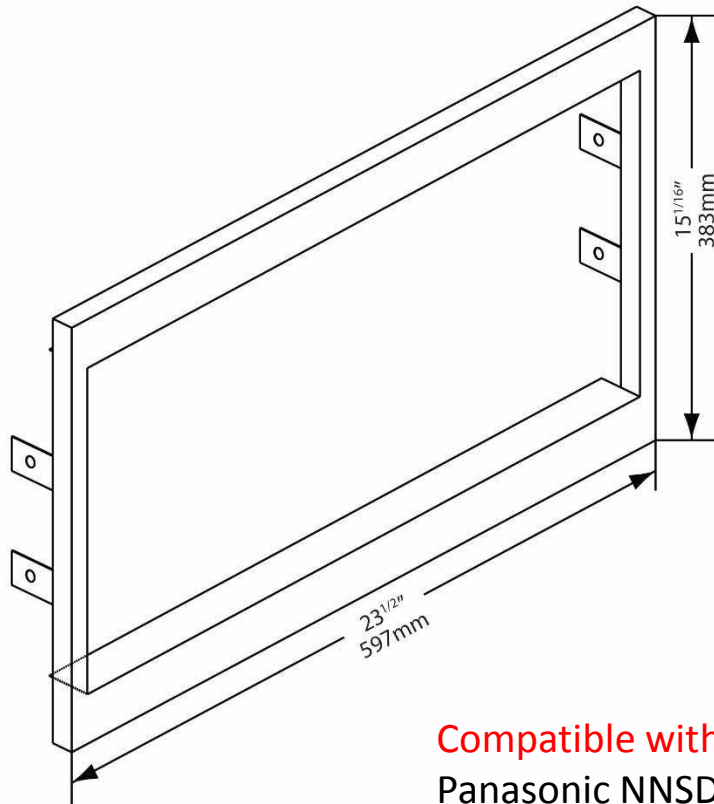
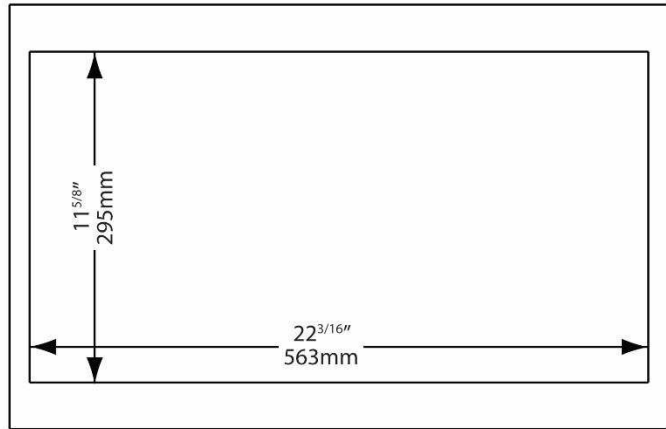
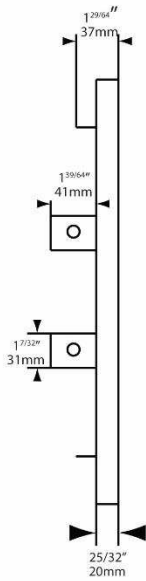
---

## 24" / 60cm Stainless Steel Trim Kit

1. Unscrew the 4 screws holding the 2 pieces of wood in place, and retain the screws
2. Hold the MWTK-60 in place and position the 2 pieces of wood against the cabinet sides and against the MWTK. Remove the MWTK
3. Screw the 2 pieces of wood onto the base of the cabinet. The wooden strips should touch the inside of the front of the MWTK-60, and be aligned against the side gables.  
(wooden stripes 18" = 46cm apart)
4. Being careful not to scratch the microwave door, lift the microwave onto the wooden strips, and move it back about 2 inches.
5. Place the MWTK-60 into position. Use the 4 screws and screw them through the flanges into the side gables.
6. Pull the microwave forward, and align the front of the microwave with the front of the MWTK-60
7. To stop the microwave from sliding backwards whilst opening it, it might be necessary to attach a piece of wood behind the feet of the microwave, on the wooden supports
8. Air must be able to flow from the microwave upwards and into the room, or roof space. Failure to comply will void the manufacturer's warranty on the micro wave oven.

# MWTK-60

## 24" / 60cm Stainless Steel Trim Kit



Compatible with  
Panasonic NNSD786, NNSD797 microwave

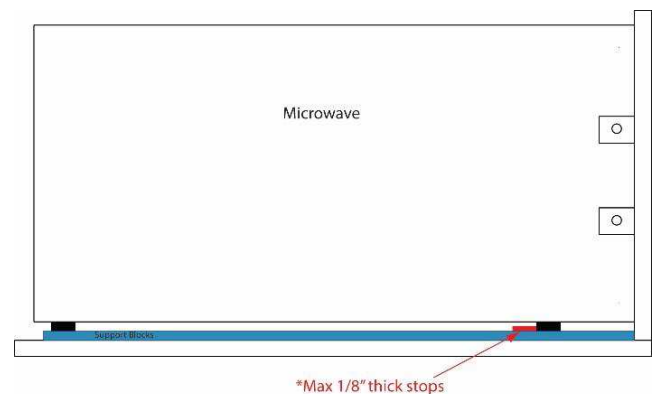
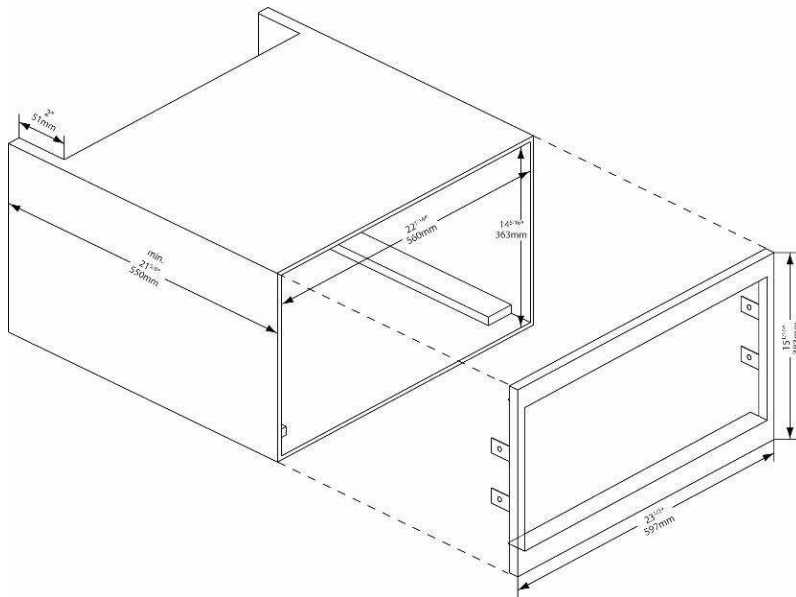
Specifications are subject to change without notice  
V1.0

# MWTK-60

## 24" / 60cm Stainless Steel Trim Kit

### VOID CUT-OUT

1. Unscrew the 4 screws holding the 2 pieces of wood in place, and retain the screws
2. Hold the MWTK-60 in place and position the 2 pieces of wood against the cabinet sides and against the MWTK. Remove the MWTK
3. Screw the 2 pieces of wood onto the base of the cabinet. The wooden strips should touch the inside of the front of the MWTK-60, and be aligned against the side gables.  
(wooden stripes 18" = 46cm apart)
4. Being careful not to scratch the microwave door, lift the microwave onto the wooden strips, and move it back about 2 inches.
5. Place the MWTK-60 into position. Use the 4 screws and screw them through the flanges into the side gables.
6. Pull the microwave forward, and align the front of the microwave with the front of the MWTK-60
7. To stop the microwave from sliding backwards whilst opening it, it might be necessary to attach a piece of wood behind the feet of the microwave, on the wooden supports
8. Air must be able to flow from the microwave upwards and into the room, or roof space. Failure to comply will void the manufacturer's warranty on the micro wave oven.



Specifications are subject to change without notice  
V1.0

Porter & Charles Appliances are designed and manufactured to the highest standards.  
Each appliance is covered by a comprehensive 2-year parts and labour warranty.

Refer to product warranty policy for complete terms and conditions.

**FOR PARTS AND SERVICE**

Euro-Parts & Service

39822 Belgrave Road, Belgrave, ON. N0G 1E0

1 800 678 8352 (Canada) • 1 800 561 4614 (U.S.)

[www.euro-parts.ca](http://www.euro-parts.ca) • [parts@euro-parts.ca](mailto:parts@euro-parts.ca) • [service@euro-parts.ca](mailto:service@euro-parts.ca)

Porter & Charles appliances are imported and distributed in North America by  
Euro-Line Appliances Inc. For more information, please visit one of our showrooms or

[www.euro-line-appliances.com](http://www.euro-line-appliances.com)    [www.elawest.com](http://www.elawest.com)

***EURO-LINE APPLIANCES INC.***

871 Cranberry Court  
Oakville, ON L6L 6J7 Canada  
905 829 3980  
1 800 421 6332

[marketing@euro-line-appliances.com](mailto:marketing@euro-line-appliances.com)

***EURO-LINE APPLIANCES WEST INC.***

2912 West 4th Avenue  
Vancouver, BC V6K 1R2 Canada  
604 235 3980  
1 855 ELA WEST (352 9378)

[info@elawest.com](mailto:info@elawest.com)

