

MWTK76/9

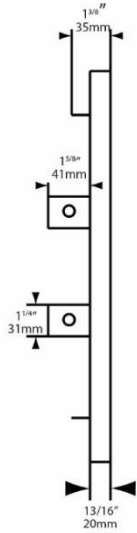
30" Stainless Steel Microwave Trim Kit

Compatible with
Panasonic NNSD986, NNSE996, NNSD997, NNSE992

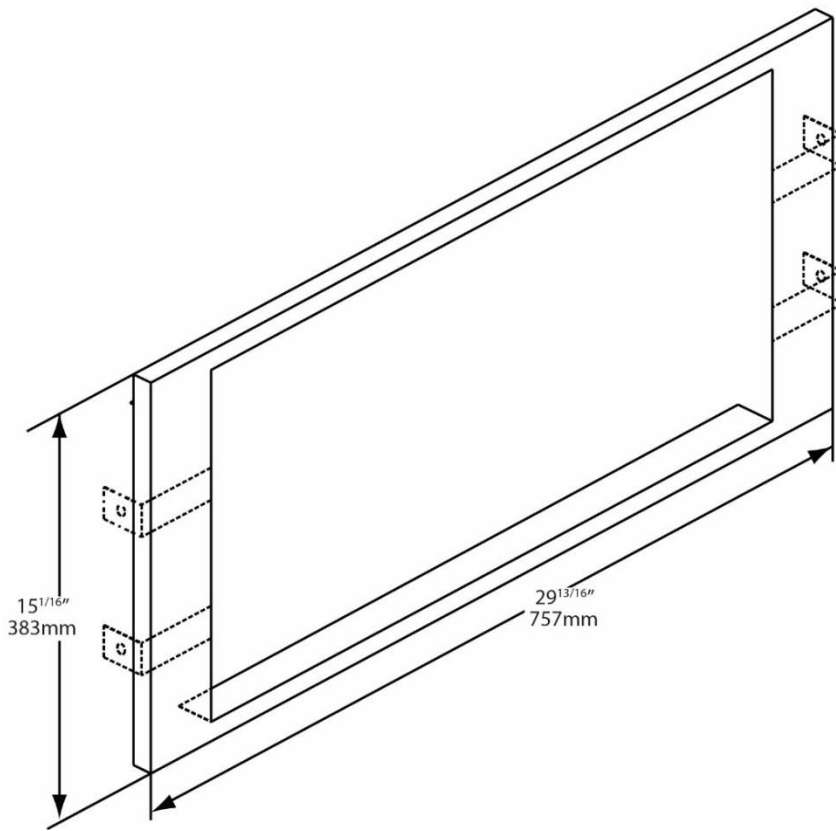
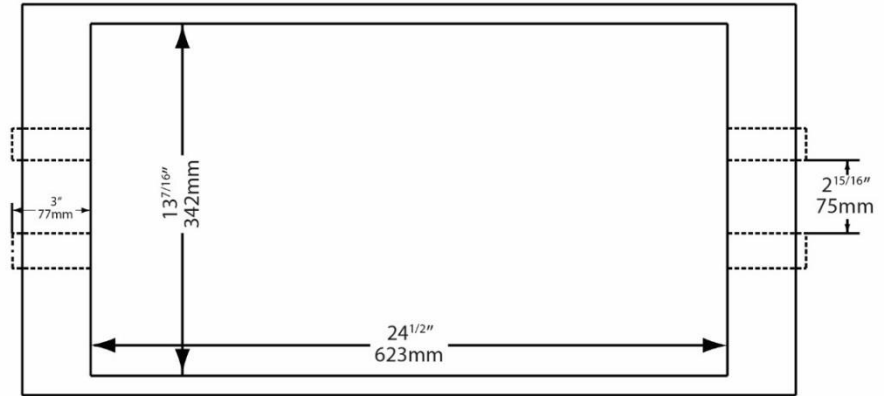
MWTK76/9

30" Stainless Steel Microwave Trim Kit

Side View



Front View



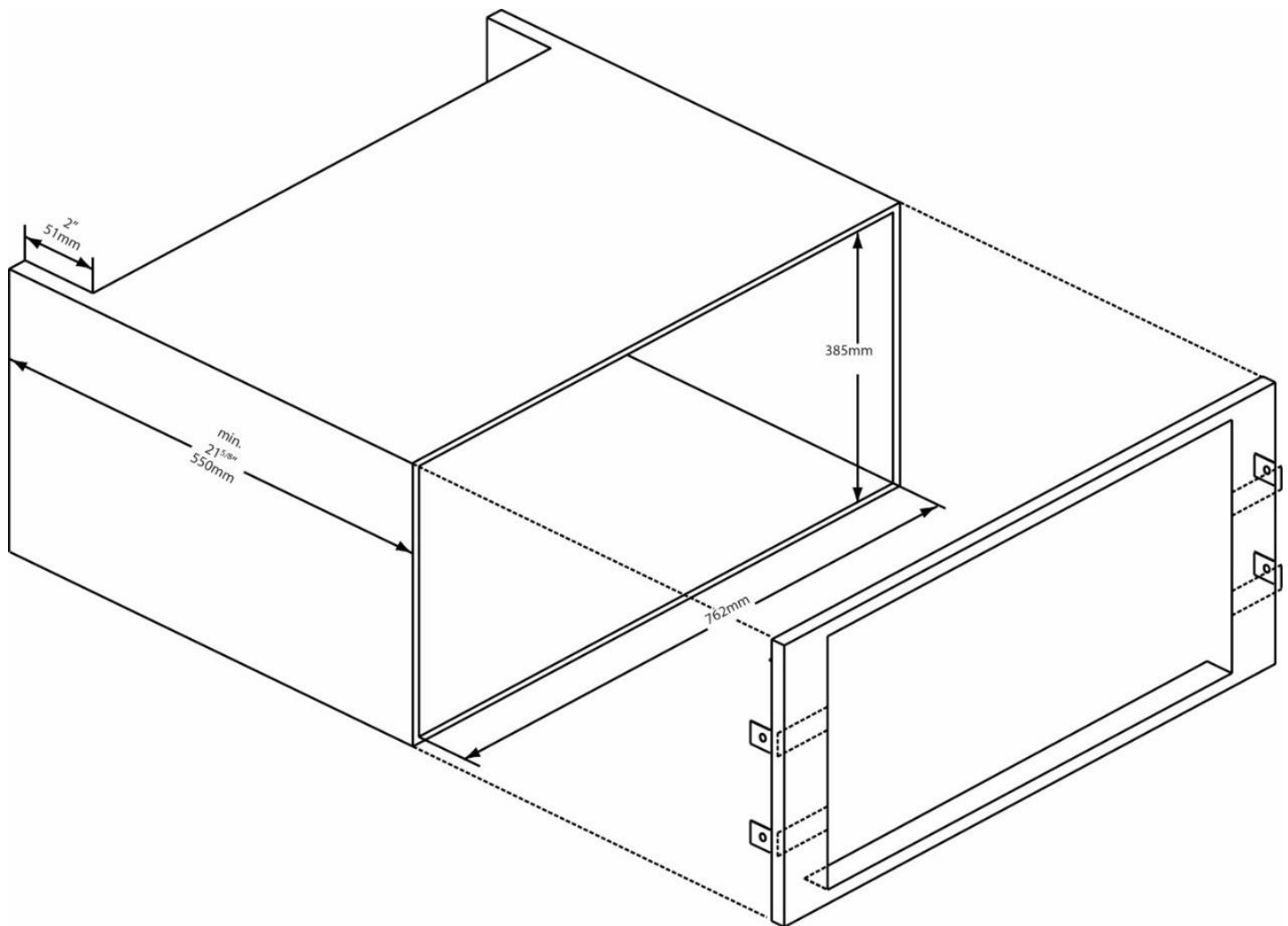
Specifications are subject to change without notice
V1.0

Specifications (Column Installation)

30" Stainless Steel Microwave Trim Kit

VOID CUT-OUT

1. Being careful not to scratch the microwave door, and move it back about 2 inches.
2. Place the MWTK-76/9 into position. Use the 4 screws and screw them through the flanges into the side gables.
3. Pull the microwave forward, and align the front of the microwave with the front of the MWTK-76/9.
4. To stop the microwave from sliding backwards whilst opening the door. It will be necessary to attach stops behind the feet of the microwave
5. Air must be able to flow from the microwave upwards and into the room, or roof space. Failure to comply will void the manufacturer's warranty on the microwave oven.



Specifications are subject to change without notice
V1.0

Porter & Charles Appliances are designed and manufactured to the highest standards.
Each appliance is covered by a comprehensive 2-year parts and labour warranty.

Refer to product warranty policy for complete terms and conditions.

FOR PARTS AND SERVICE

Euro-Parts & Service

39822 Belgrave Road, Belgrave, ON. N0G 1E0

1 800 678 8352 (Canada) • 1 800 561 4614 (U.S.)

www.euro-parts.ca • parts@euro-parts.ca • service@euro-parts.ca

Porter & Charles appliances are imported and distributed in North America by
Euro-Line Appliances Inc. For more information, please visit one of our showrooms or

www.euro-line-appliances.com www.elawest.com

EURO-LINE APPLIANCES INC.

871 Cranberry Court
Oakville, ON L6L 6J7 Canada
905 829 3980
1 800 421 6332

marketing@euro-line-appliances.com

EURO-LINE APPLIANCES WEST INC.

2912 West 4th Avenue
Vancouver, BC V6K 1R2 Canada
604 235 3980
1 855 ELA WEST (352 9378)

info@elawest.com

