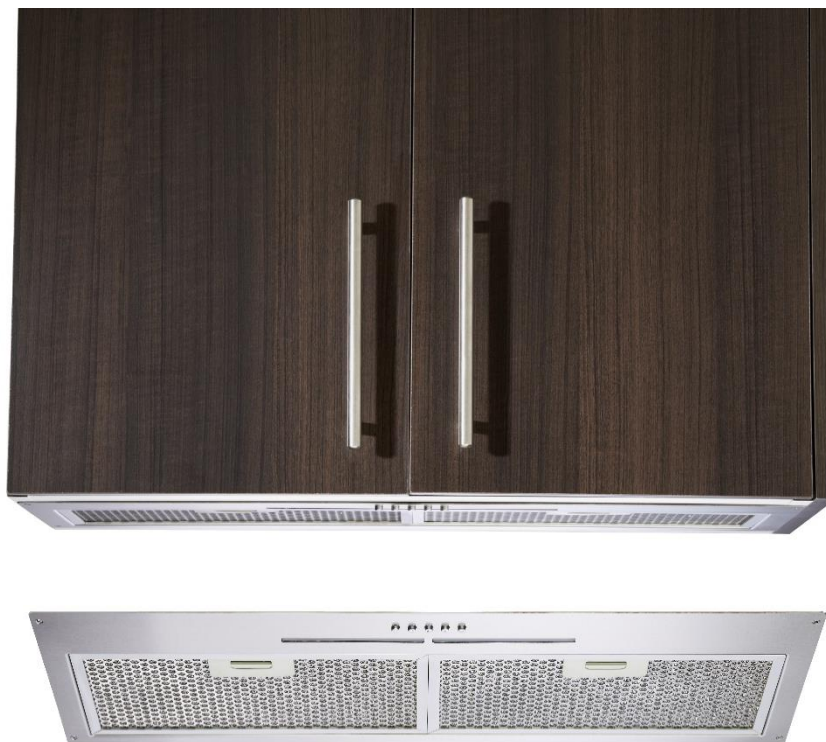


PERFEKT INSERT 30
30" Built-in Range Hood

Perfekt Insert 30

30" Built-in Range Hood



RANGE HOOD FEATURES

- 30" (60cm) stainless steel built-in range hood
- LED lighting
- 3 speed adjustment
- 2 x dishwasher safe honey comb filter
- Electronic push buttons
- Quiet (7 sones/56dB) 300 CFM motor

ELECTRICAL REQUIREMENTS

- 115 Volt, 60Hz, 15AMP
- AEG Range Hoods are supplied with a Canadian cord and plug

RANGE HOOD DIMENSIONS

- D: 11^{3/8}" x W: 30"
- D: 289mm x W: 762mm

CUT-OUT DIMENSIONS

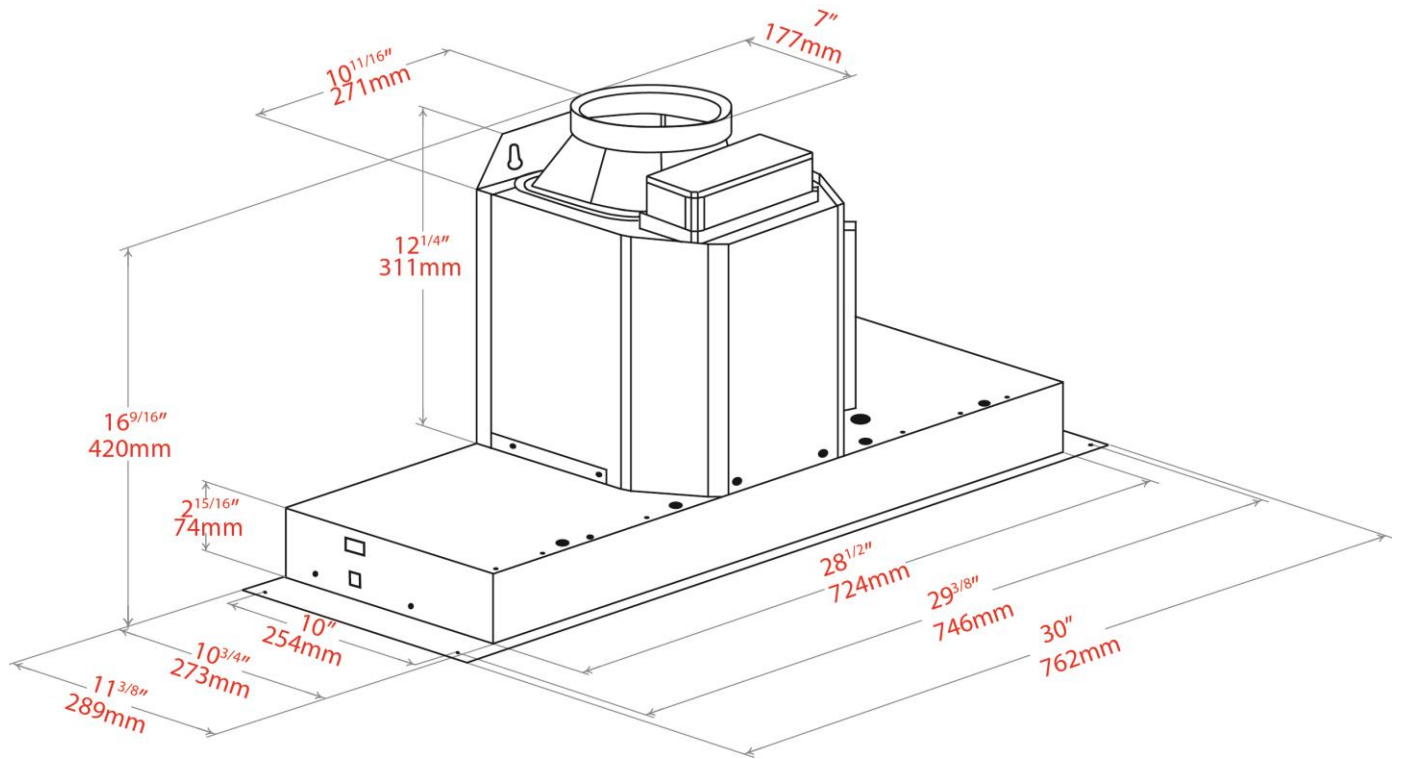
- D: 10^{3/4}" x W: 28^{3/4}"
- D: 273mm x W: 730mm

DUCT SIZE

- 7" Duct Size
- 6" Duct Adapter Included

Specifications

Perfekt Insert 30



Specifications are subject to change without notice.

Detailed Specification Available at www.aeg-appliances.ca

AEG products are designed and built to the highest standards.
Each appliance is covered by a comprehensive 2 year parts and labour warranty.

Refer to product warranty policy for complete terms and conditions.

For Service & Parts
EURO-PARTS

39822 Belgrave Rd,
Belgrave, Ontario, Canada,
N0G 1E0

1.800.678.8352

AEG appliances are imported and distributed in North America by Euro-Line Appliances Inc.

For more information visit

www.euro-line-appliances.com / www.elawest.com

EURO-LINE APPLIANCES INC.

871 Cranberry Court
Oakville, ON L6L 6J7
Canada
Toll Free: 1.800.421.6332
Showroom: 905.829.3980
marketing@euro-line-appliances.com

EURO-LINE APPLIANCES WEST INC.

2912 West 4th Ave
Vancouver, BC V6K 1R2
Canada
Toll Free: 1.855.ELA WEST (352.9378)
Showroom: 604.235.3980
info@elawest.com