

PERFEKT GLIDE 24  
24" Built-in Telescopic Range Hood

# Perfekt Glide 24

---

## 24" Built-in Telescopic Range Hood



### RANGE HOOD FEATURES

- 24" (60cm) stainless steel built-in glide-out range hood
- LED lighting
- 2 speed adjustment
- 2 x dishwasher safe honey comb filters
- Electronic push buttons
- Quiet (7 sones/56dB) 300 CFM motor

### RANGE HOOD DIMENSIONS

- D: 11" x W: 23<sup>9/16</sup>"
- D: 279mm x W: 598mm

### DUCT SIZE

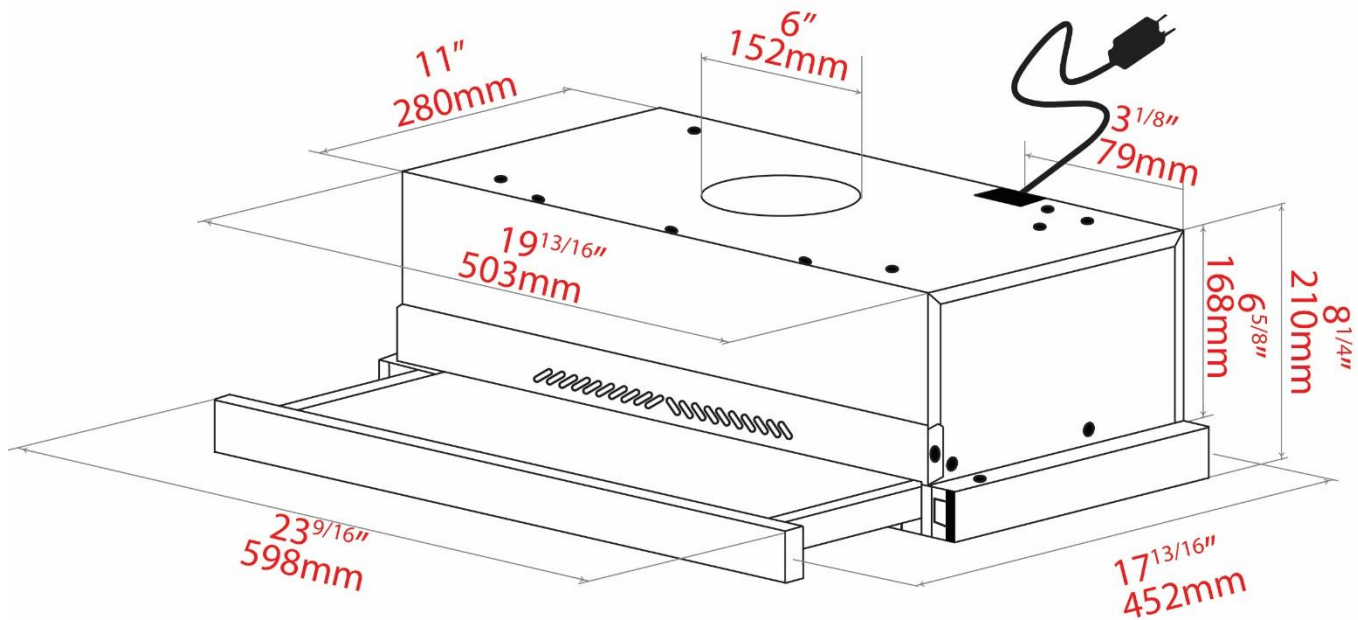
- 6" Duct Adapter Included

### ELECTRICAL REQUIREMENTS

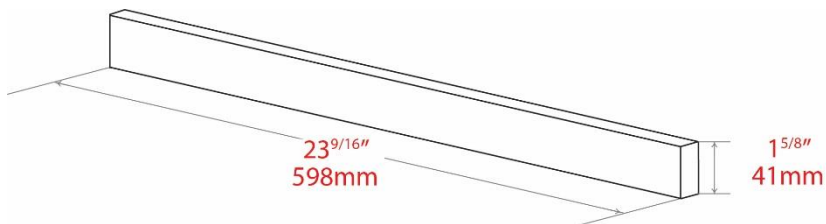
- 115 Volt, 60Hz, 15AMP
- AEG Range Hoods are supplied with a Canadian cord and plug
- Electrical cord located 3<sup>1/8</sup>" (79mm) from the top right corner of the unit at the rear

# Specifications

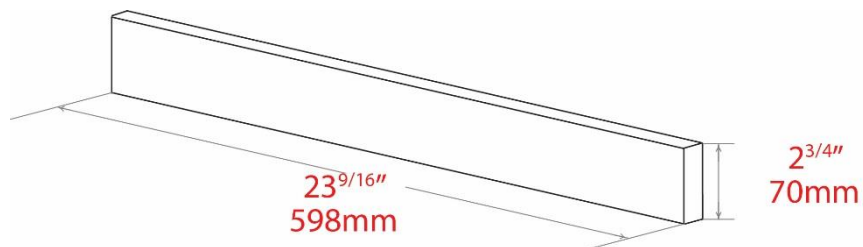
## Perfekt Glide 24



### FRONT PANEL - DUCTED



### FRONT PANEL - RECIRCULATING



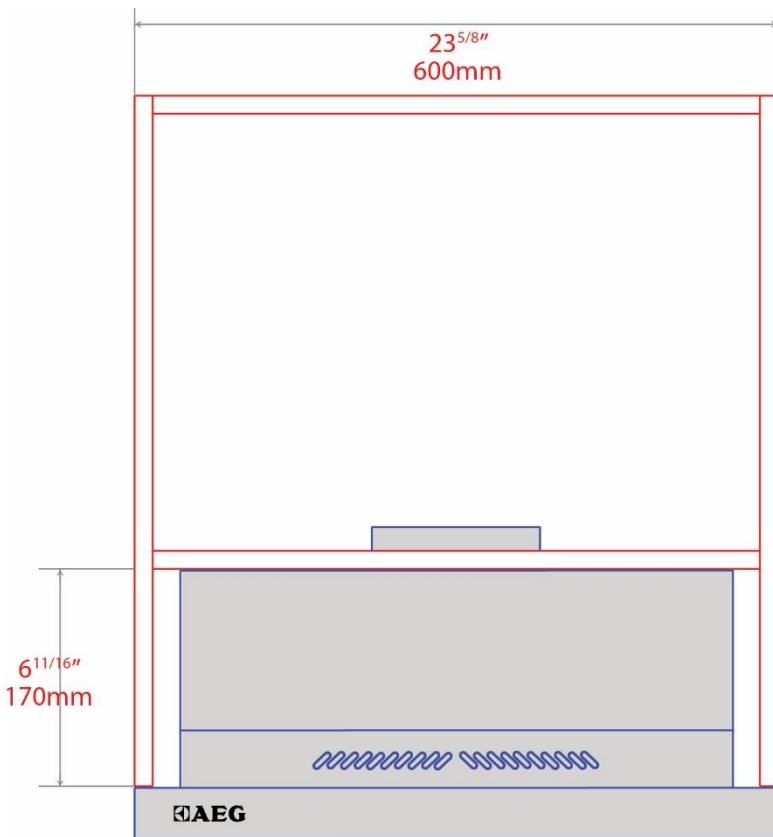
Specifications are subject to change without notice.

Detailed Specification Available at [www.aeg-appliances.ca](http://www.aeg-appliances.ca)

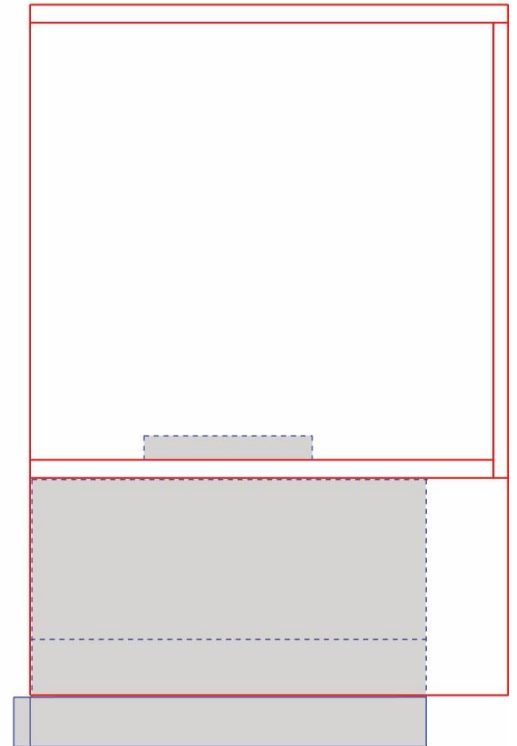
# Specifications

## Perfekt Glide 24

CABINET DESIGN  
DUCTED



FRONT VIEW



SIDE VIEW

Specifications are subject to change without notice.

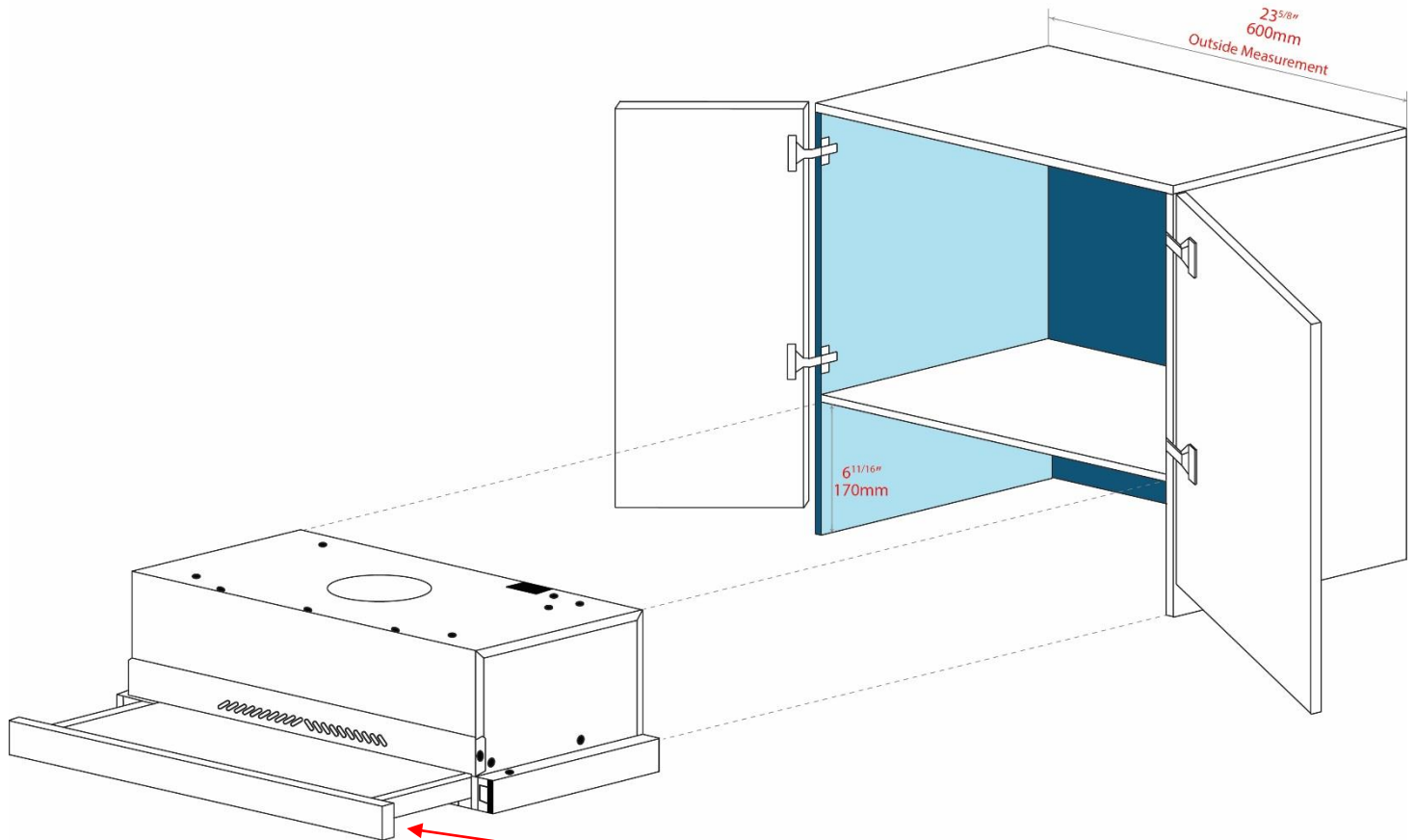
Detailed Specification Available at [www.aeg-appliances.ca](http://www.aeg-appliances.ca)

# Specifications

## Perfekt Glide 24

CABINET DESIGN

DUCTED



**NOTE:** Removing the front stainless steel trim

- 1. Pull the visor forward
- 2. Remove the 4 screws holding the visor to the panel
- 3. Install the matching front panel using the 4 screws

\*Custom panel provided by customer\*

Specifications are subject to change without notice.

Detailed Specification Available at [www.aeg-appliances.ca](http://www.aeg-appliances.ca)

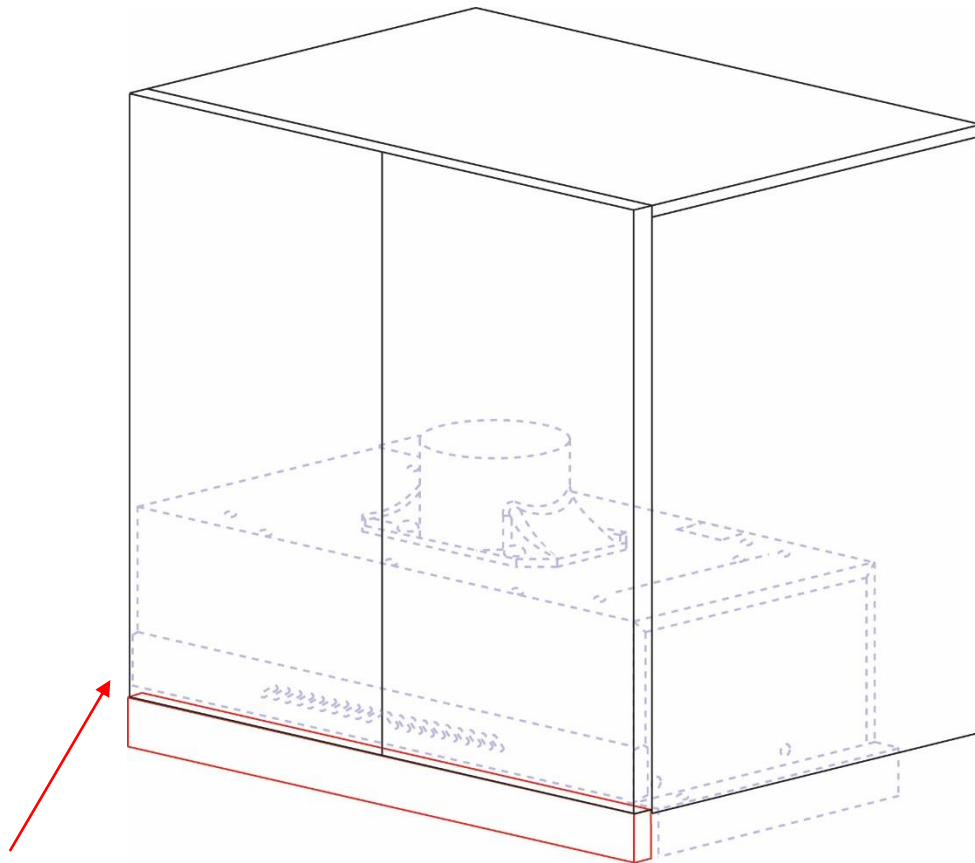
# Specifications

---

## Perfekt Glide 24

CABINET DESIGN

DUCTED



**NOTE: Cabinet Door Panel Height**

- Ensure that the cabinet door panel is lengthened to accommodate the smaller sized Range Hood Front Panel

Specifications are subject to change without notice.

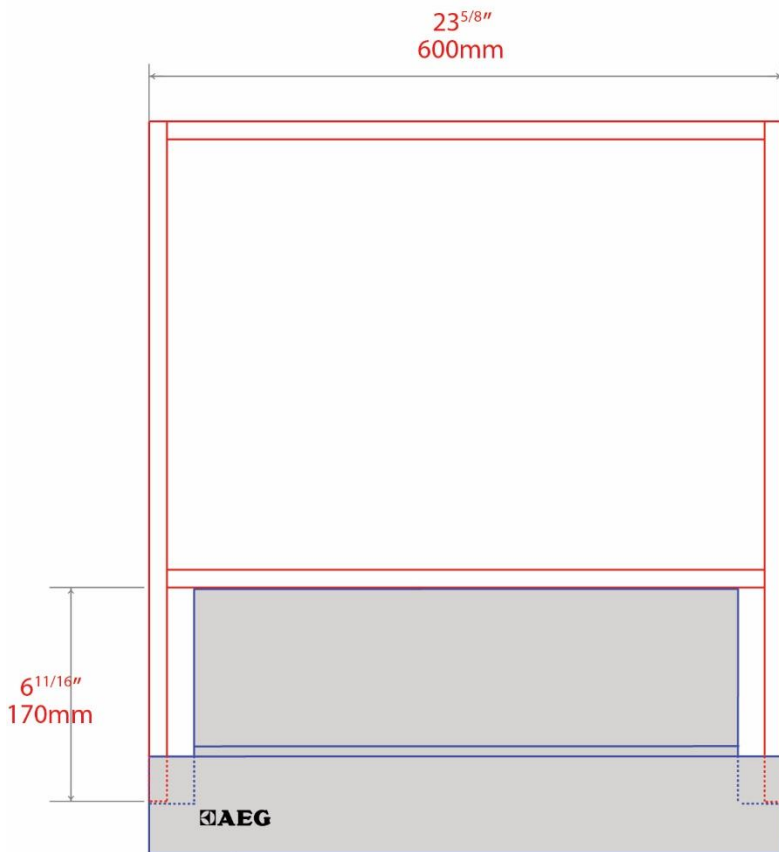
Detailed Specification Available at [www.aeg-appliances.ca](http://www.aeg-appliances.ca)

# Specifications

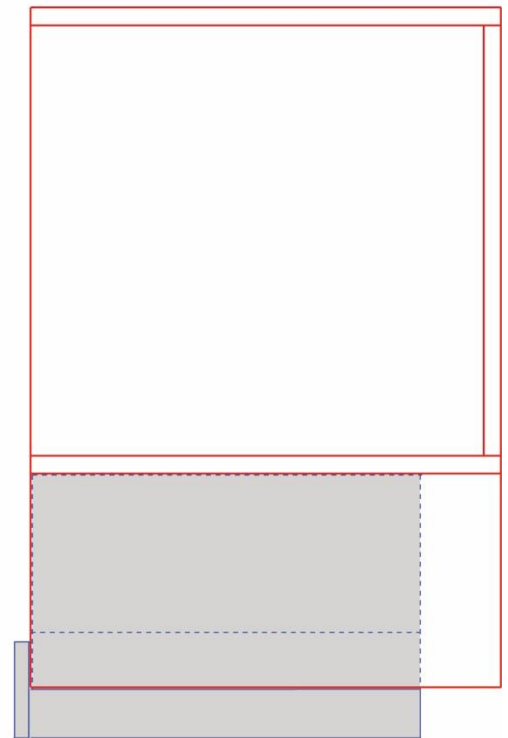
## Perfekt Glide 24

CABINET DESIGN

RECIRCULATING



FRONT VIEW



SIDE VIEW

Specifications are subject to change without notice.

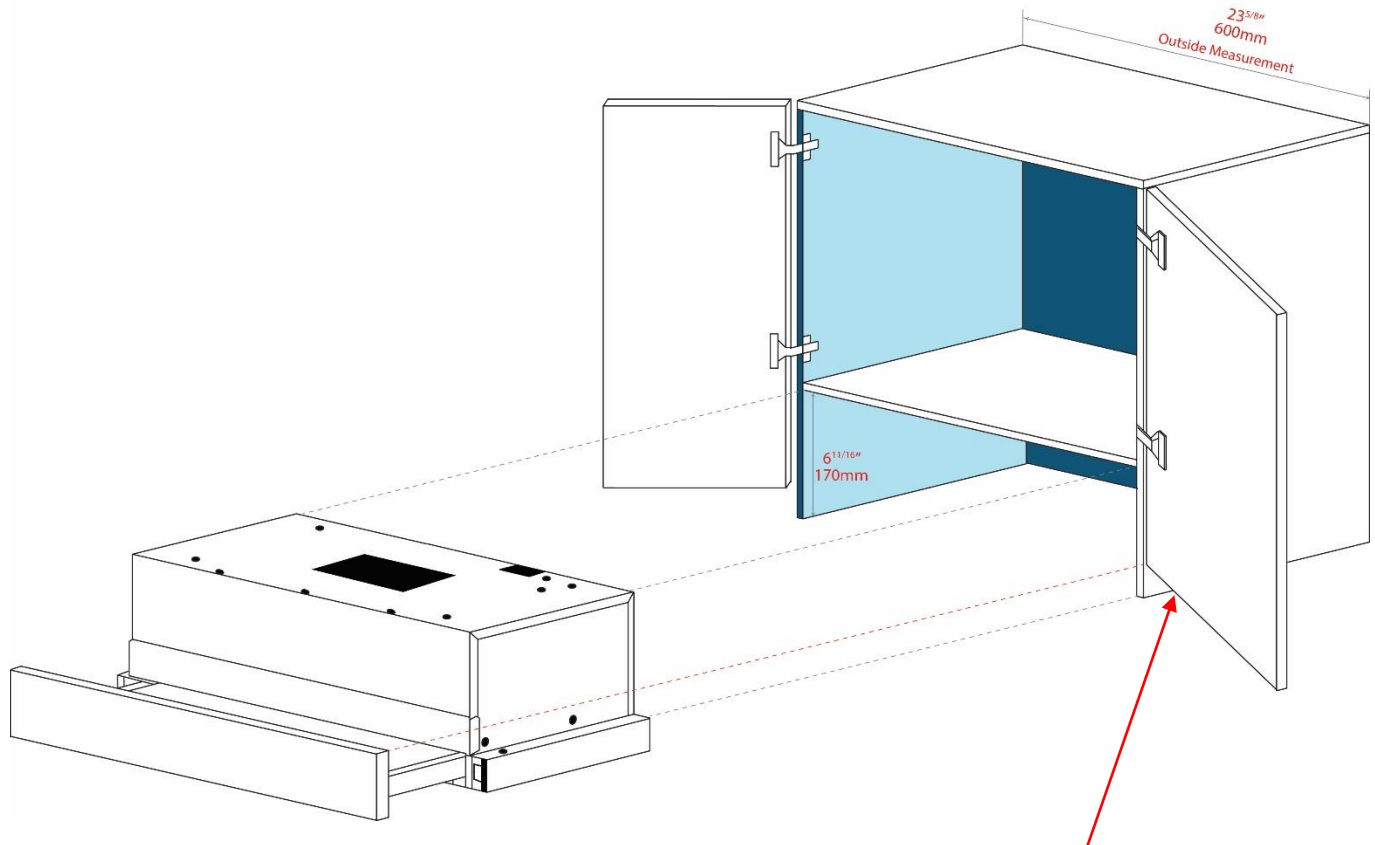
Detailed Specification Available at [www.aeg-appliances.ca](http://www.aeg-appliances.ca)

# Specifications

## Perfekt Glide 24

CABINET DESIGN

RECIRCULATING



**NOTE: Removing the front stainless steel trim**

- 1. Pull the visor forward
- 2. Remove the 4 screws holding the visor to the panel
- 3. Install the matching front panel using the 4 screws

**NOTE: Cabinet Door Panel Height**

- Ensure that the cabinet door panel is shortened to accommodate the larger sized Range Hood Front Panel

\*Custom panel provided by customer\*

Specifications are subject to change without notice.

Detailed Specification Available at [www.aeg-appliances.ca](http://www.aeg-appliances.ca)



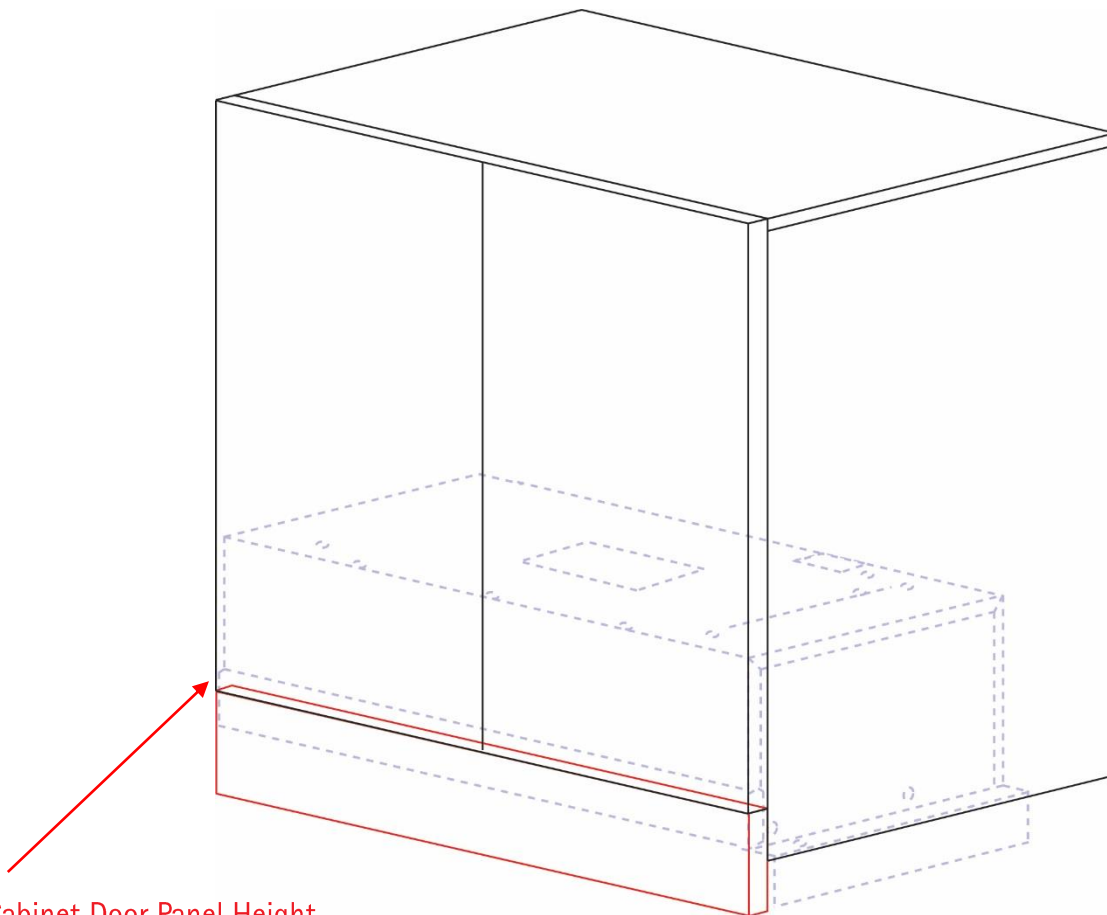
# Specifications

---

## Perfekt Glide 24

CABINET DESIGN

RECIRCULATING



**NOTE: Cabinet Door Panel Height**

- Ensure that the cabinet door panel is shortened to accommodate the larger sized Range Hood Front Panel

Specifications are subject to change without notice.

Detailed Specification Available at [www.aeg-appliances.ca](http://www.aeg-appliances.ca)

AEG products are designed and built to the highest standards.  
Each appliance is covered by a comprehensive 2 year parts and labour warranty.

Refer to product warranty policy for complete terms and conditions.

For Service & Parts

**EURO-PARTS**

39822 Belgrave Rd,  
Belgrave, Ontario, Canada,  
N0G 1E0

1.800.678.8352

---

AEG appliances are imported and distributed in North America by Euro-Line Appliances Inc.

For more information visit

[www.euro-line-appliances.com](http://www.euro-line-appliances.com) / [www.elawest.com](http://www.elawest.com)

***EURO-LINE APPLIANCES INC.***

871 Cranberry Court  
Oakville, ON L6L 6J7  
Canada  
Toll Free: 1.800.421.6332  
Showroom: 905.829.3980  
[marketing@euro-line-appliances.com](mailto:marketing@euro-line-appliances.com)

***EURO-LINE APPLIANCES WEST INC.***

2912 West 4th Ave  
Vancouver, BC V6K 1R2  
Canada  
Toll Free: 1.855.ELA WEST (352.9378)  
Showroom: 604.235.3980  
[info@elawest.com](mailto:info@elawest.com)