

PERFEKT GLIDE 30
30" Built-in Telescopic Range Hood

AEG

PERFEKT GLIDE 30

30" Built-in Telescopic Range Hood



RANGE HOOD FEATURES

- 30" (76cm) stainless steel built-in glide-out range hood
- LED lighting
- 2 speed adjustment
- 2 x dishwasher safe honey comb filters
- Electronic push buttons
- Quiet (7 sones/56dB) 300 CFM motor

RANGE HOOD DIMENSIONS

- D: 11" x W: 29^{15/16}"
- D: 279mm x W: 760mm

DUCT SIZE

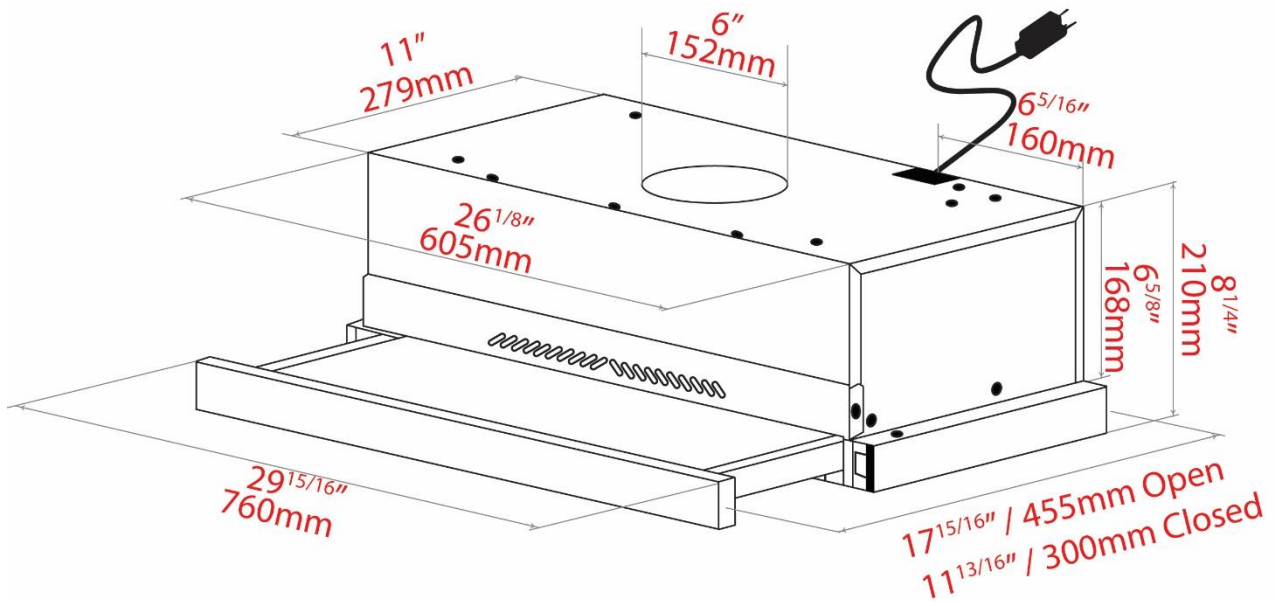
- 6" Duct Adapter Included

ELECTRICAL REQUIREMENTS

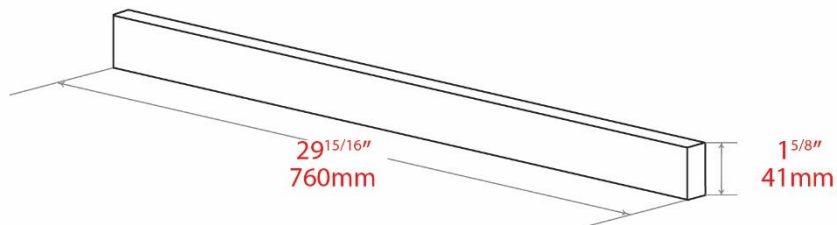
- 115 Volt, 60Hz, 15AMP
- AEG Range Hoods are supplied with a Canadian cord and plug
- Electrical cord located 6^{5/16}" (160mm) from the top right corner of the unit at the rear

Specifications

PERFEKT GLIDE 30



FRONT PANEL - DUCTED



RANGE HOOD DIMENSIONS

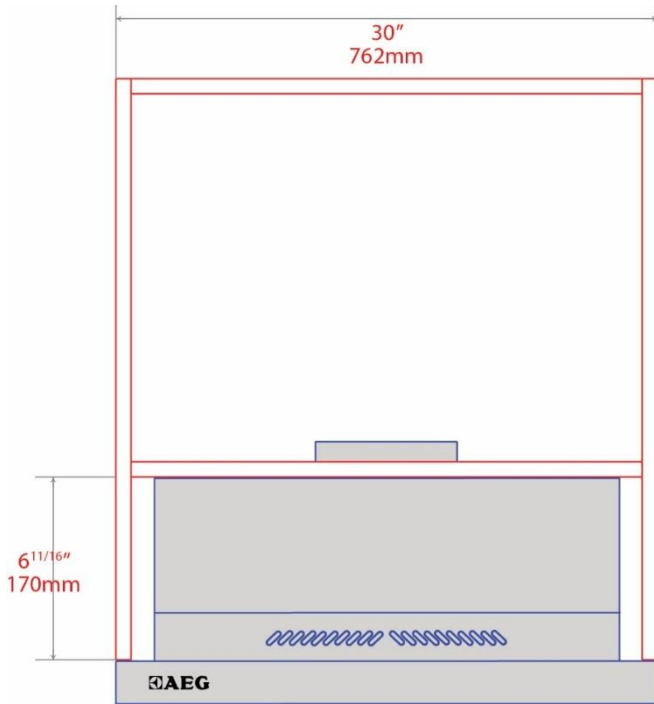
D: 11" x W: 29¹⁵/₁₆"

D: 279mm x W: 760mm

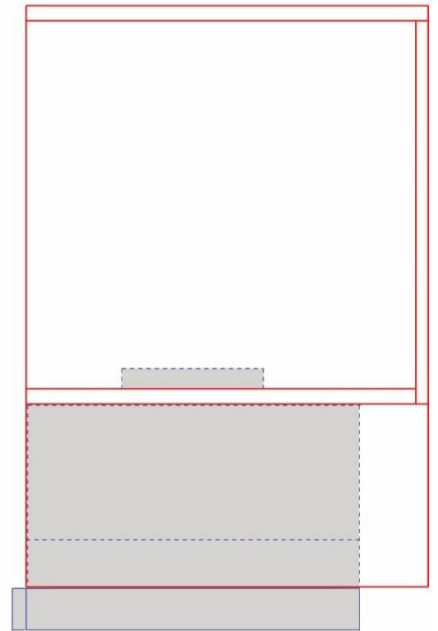
Specifications

PERFEKT GLIDE 30

CABINET BOX DESIGN



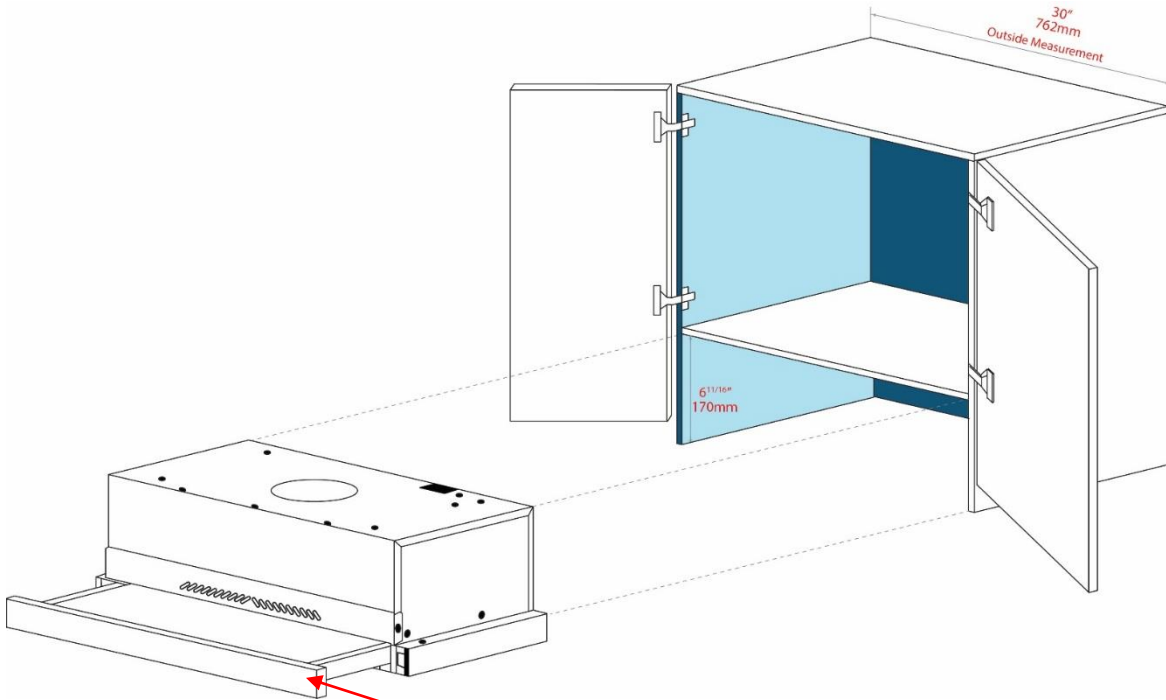
FRONT VIEW



SIDE VIEW

Specifications

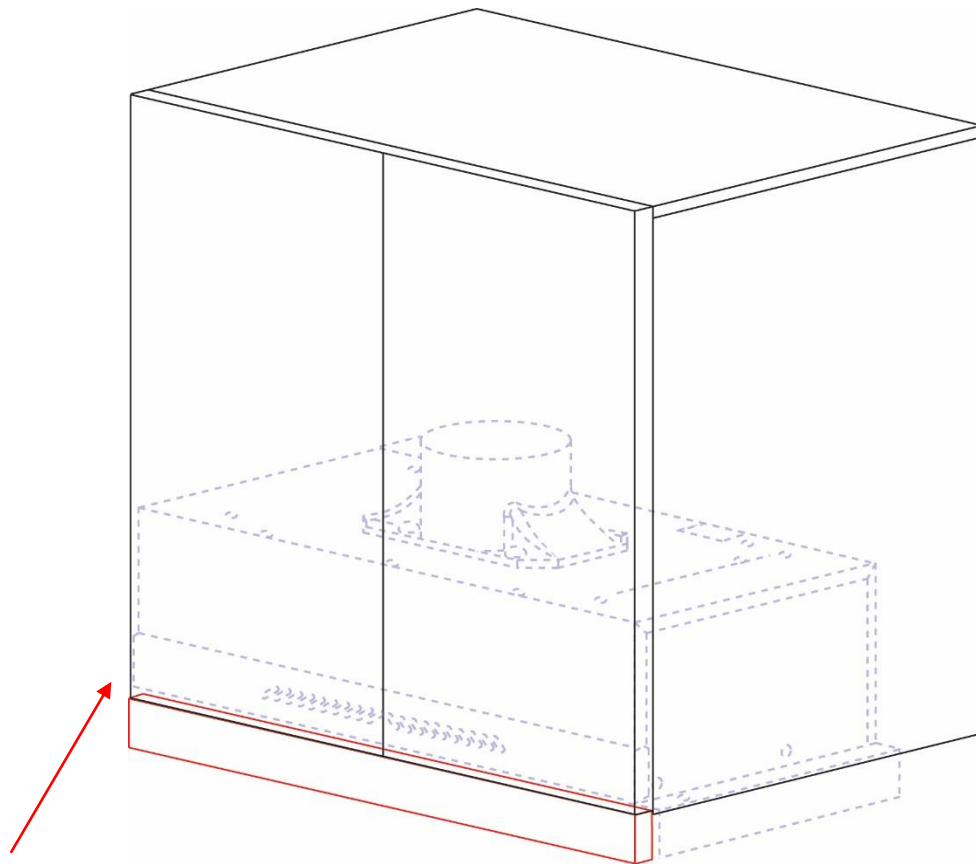
PERFEKT GLIDE 30



NOTE: Removing the front stainless steel trim

- 1. Pull the visor forward
- 2. Remove the 4 screws holding the visor to the panel
- 3. Install the matching front panel using the 4 screws

Custom panel provided by customer



NOTE: Cabinet Door Panel Height

- Ensure that the cabinet door panel is lengthened to accommodate the smaller sized Range Hood Front Panel

AEG

AEG Appliances are designed and manufactured to the highest standards. Each appliance is covered by a comprehensive 2-year parts and labour warranty.

Refer to product warranty policy for complete terms and conditions.

FOR PARTS AND SERVICE

Euro-Parts & Service

39822 Belgrave Road, Belgrave, ON. N0G 1E0

1 800 678 8352 (Canada) • 1 800 561 4614 (U.S.)

www.euro-parts.ca • parts@euro-parts.ca • service@euro-parts.ca

AEG appliances are imported and distributed in North America by Euro-Line Appliances Inc. For more information, please visit one of our showrooms or

www.euro-line-appliances.com www.elawest.com

EURO-LINE APPLIANCES INC.

871 Cranberry Court
Oakville, ON L6L 6J7 Canada
905 829 3980
1 800 421 6332

marketing@euro-line-appliances.com

EURO-LINE APPLIANCES WEST INC.

2912 West 4th Avenue
Vancouver, BC V6K 1R2 Canada
604 235 3980
1 855 ELA WEST (352.9378)

info@elawest.com

