

PERFEKT GLIDE 36
36" Built-In Telescopic Range Hood

Perfekt Glide 36

36" Built-in Telescopic Range Hood



RANGE HOOD FEATURES

- 36" (90cm) stainless steel built-in glide-out range hood
- LED lighting
- 3 speed adjustment
- 2 x dishwasher safe honey comb filters
- Electronic push buttons
- Quiet (7 sones/56dB) 300 CFM motor

RANGE HOOD DIMENSIONS

- D: 11" x W: 35^{3/8}"
- D: 279mm x W: 899mm

DUCT SIZE

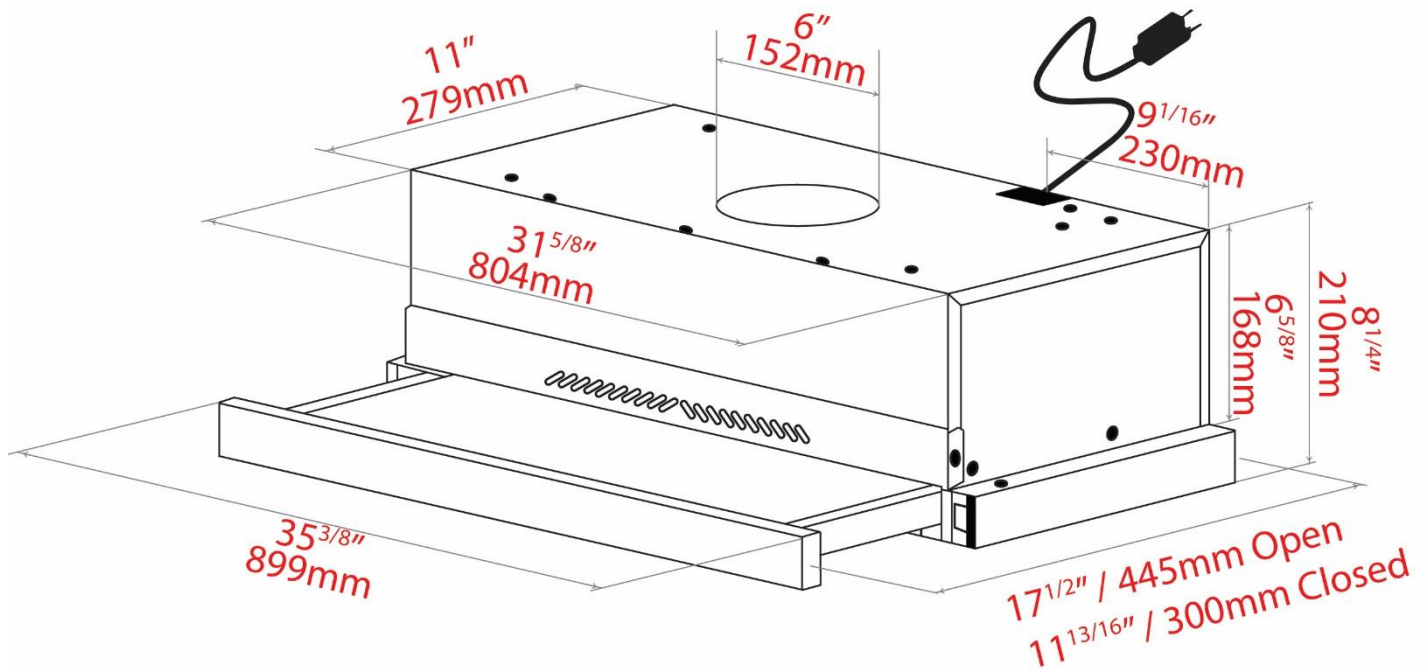
- 6" Duct Adapter Included

ELECTRICAL REQUIREMENTS

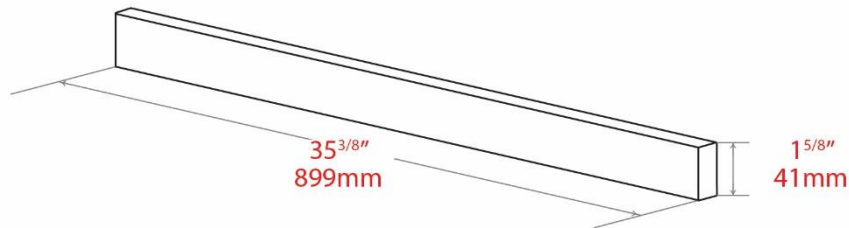
- 115 Volt, 60Hz, 15AMP
- AEG Range Hoods are supplied with a Canadian cord and plug
- Electrical cord located 9^{1/16}" (230mm) from the top right corner of the unit at the rear

Specifications

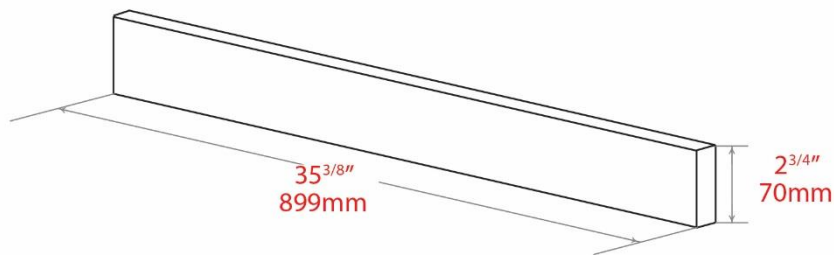
Perfekt Glide 36



FRONT PANEL - DUCTED



FRONT PANEL - RECIRCULATING



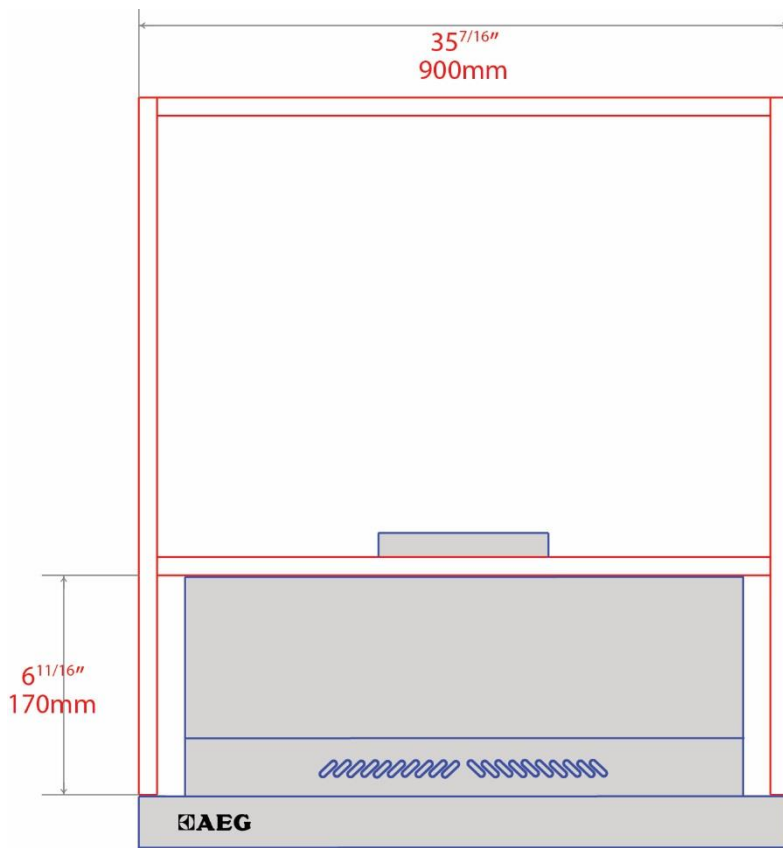
Specifications are subject to change without notice.

Detailed Specification Available at www.aeg-appliances.ca

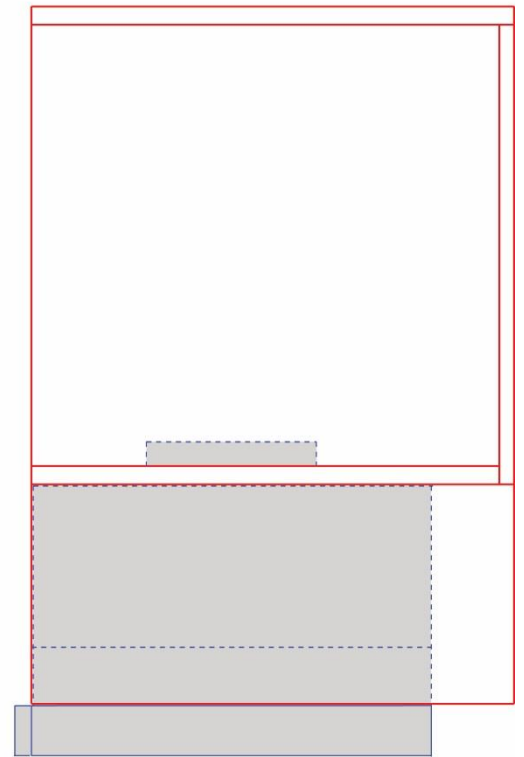
Specifications

Perfekt Glide 36

CABINET DESIGN
DUCTED



FRONT VIEW



SIDE VIEW

Specifications are subject to change without notice.

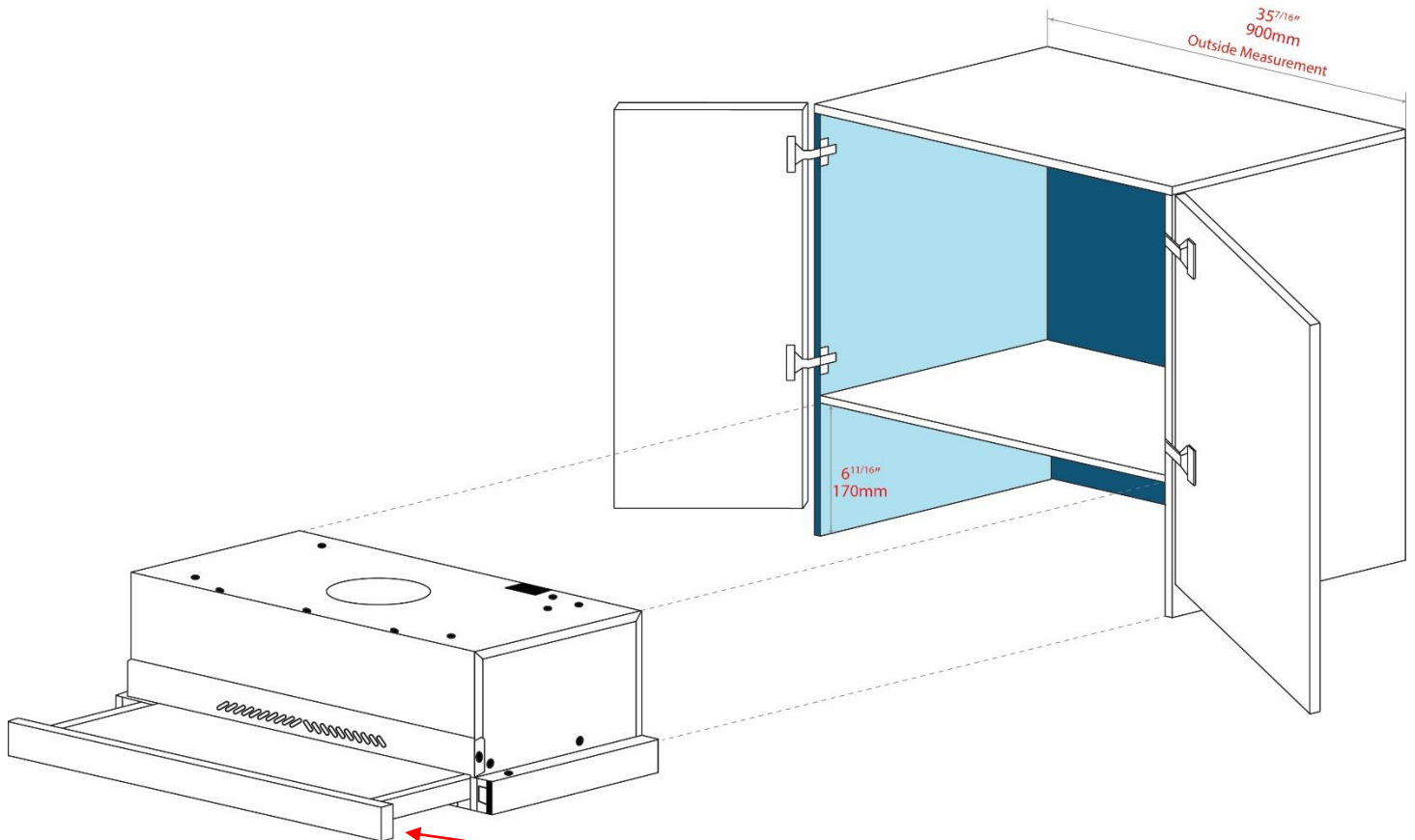
Detailed Specification Available at www.aeg-appliances.ca

Specifications

Perfekt Glide 36

CABINET DESIGN

DUCTED



NOTE: Removing the front stainless steel trim

- 1. Pull the visor forward
- 2. Remove the 4 screws holding the visor to the panel
- 3. Install the matching front panel using the 4 screws

Custom panel provided by customer

Specifications are subject to change without notice.

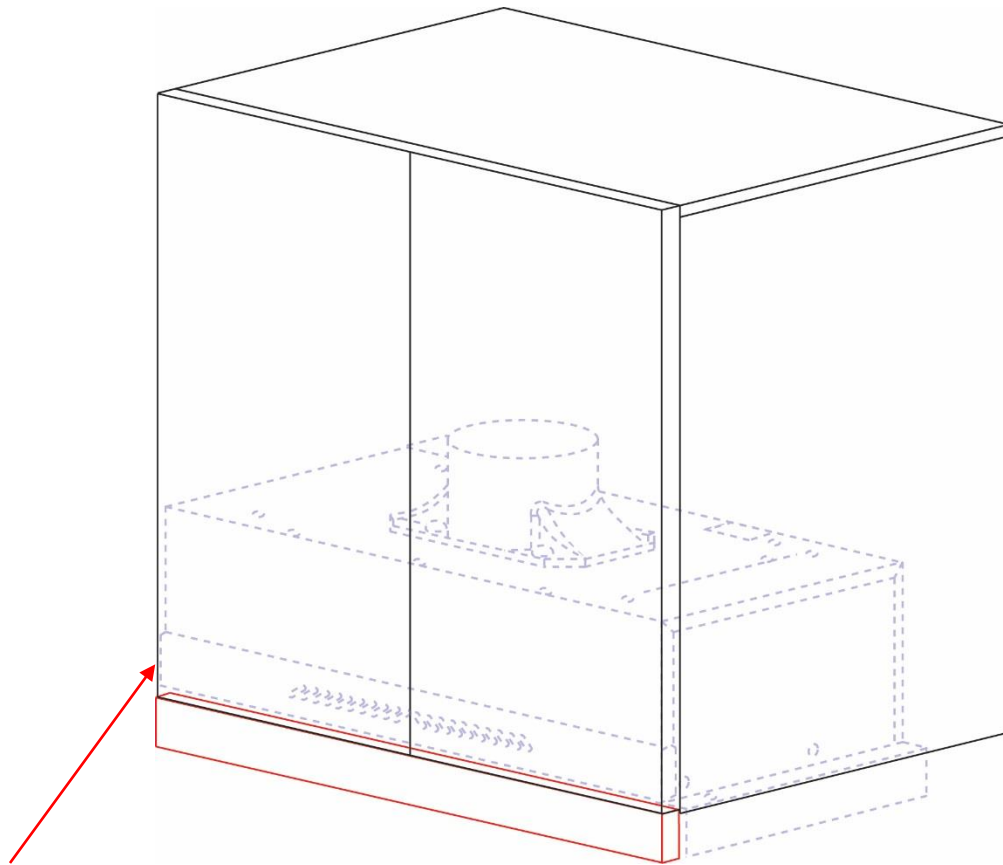
Detailed Specification Available at www.aeg-appliances.ca

Specifications

Perfekt Glide 36

CABINET DESIGN

DUCTED



NOTE: Cabinet Door Panel Height

- Ensure that the cabinet door panel is lengthened to accommodate the smaller sized Range Hood Front Panel

Specifications are subject to change without notice.

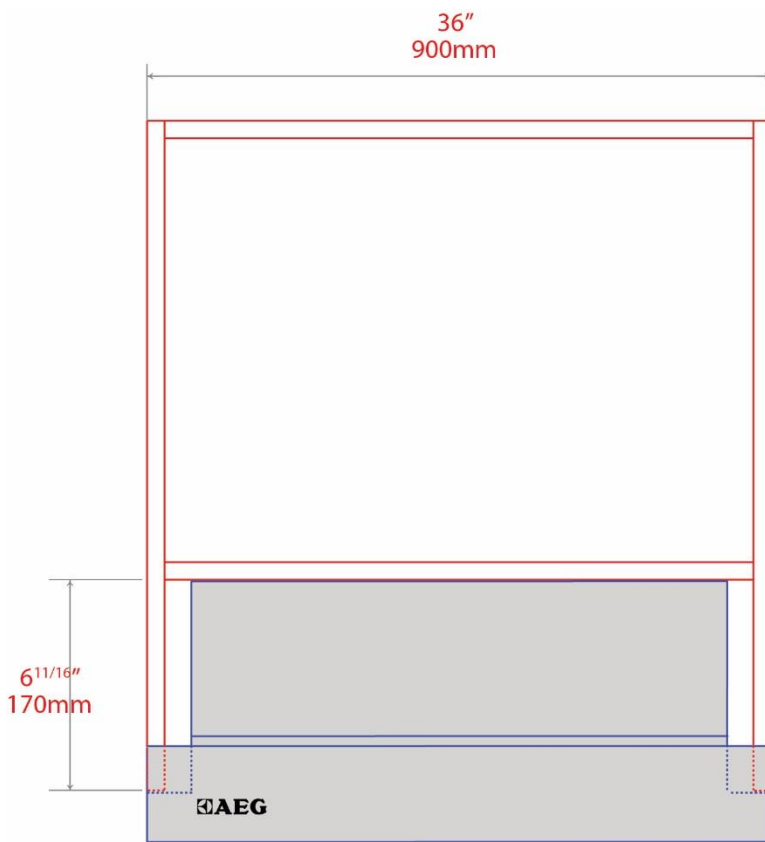
Detailed Specification Available at www.aeg-appliances.ca

Specifications

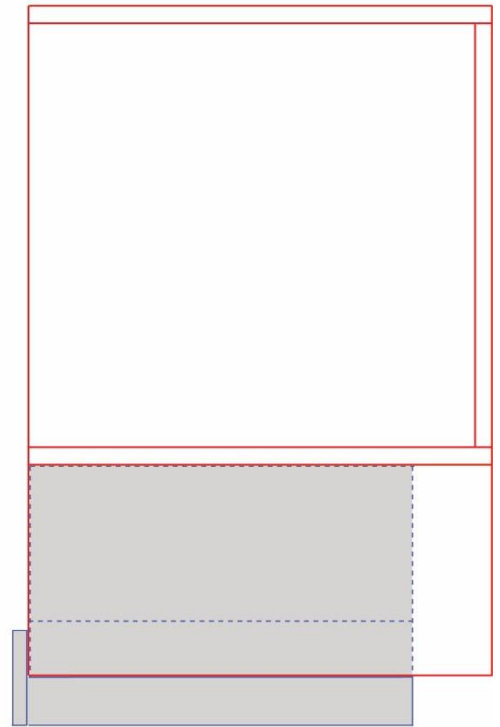
Perfekt Glide 36

CABINET DESIGN

RECIRCULATING



FRONT VIEW



SIDE VIEW

Specifications are subject to change without notice.

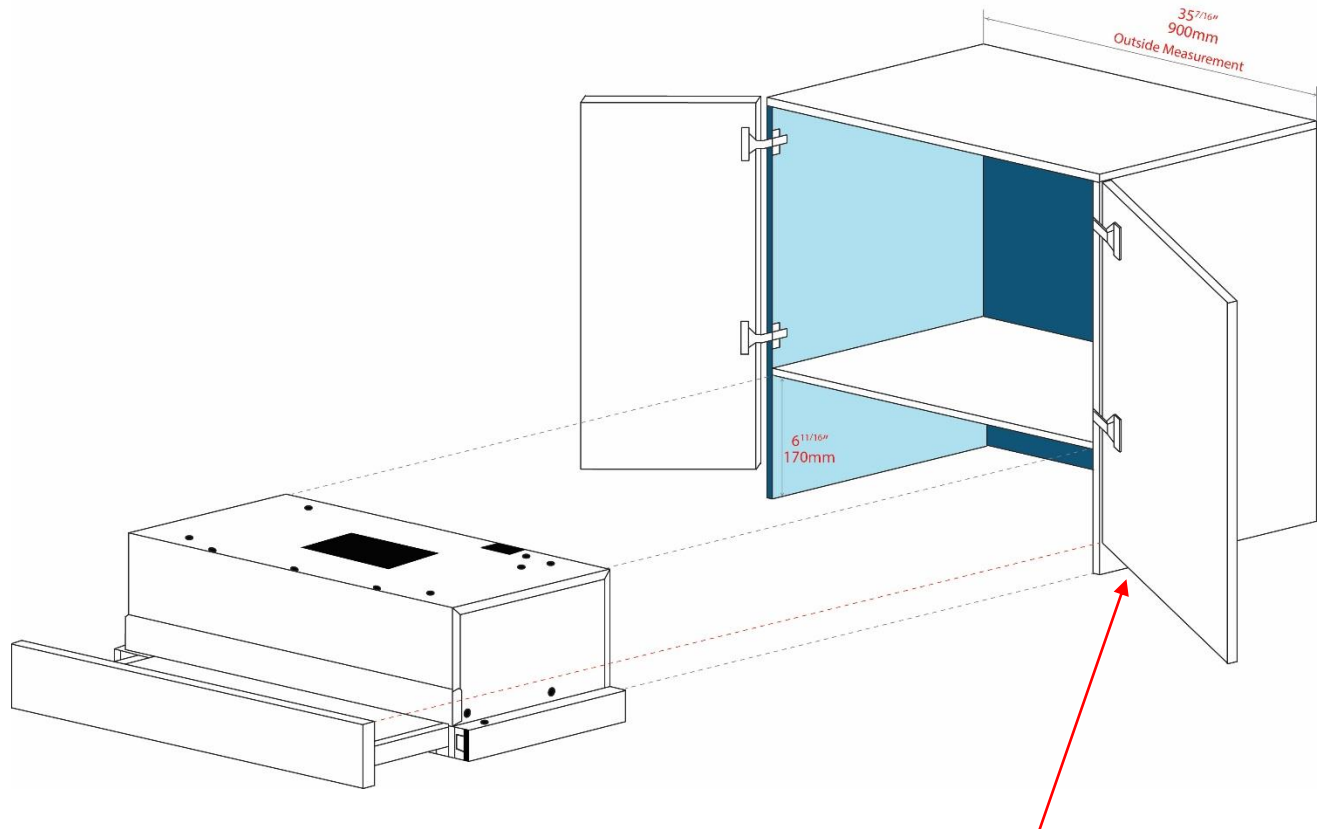
Detailed Specification Available at www.aeg-appliances.ca

Specifications

Perfekt Glide 36

CABINET DESIGN

RECIRCULATING



NOTE: Removing the front stainless steel trim

- 1. Pull the visor forward
- 2. Remove the 4 screws holding the visor to the panel
- 3. Install the matching front panel using the 4 screws

NOTE: Cabinet Door Panel Height

- Ensure that the cabinet door panel is shortened to accommodate the larger sized Range Hood Front Panel

Custom panel provided by customer

Specifications are subject to change without notice.

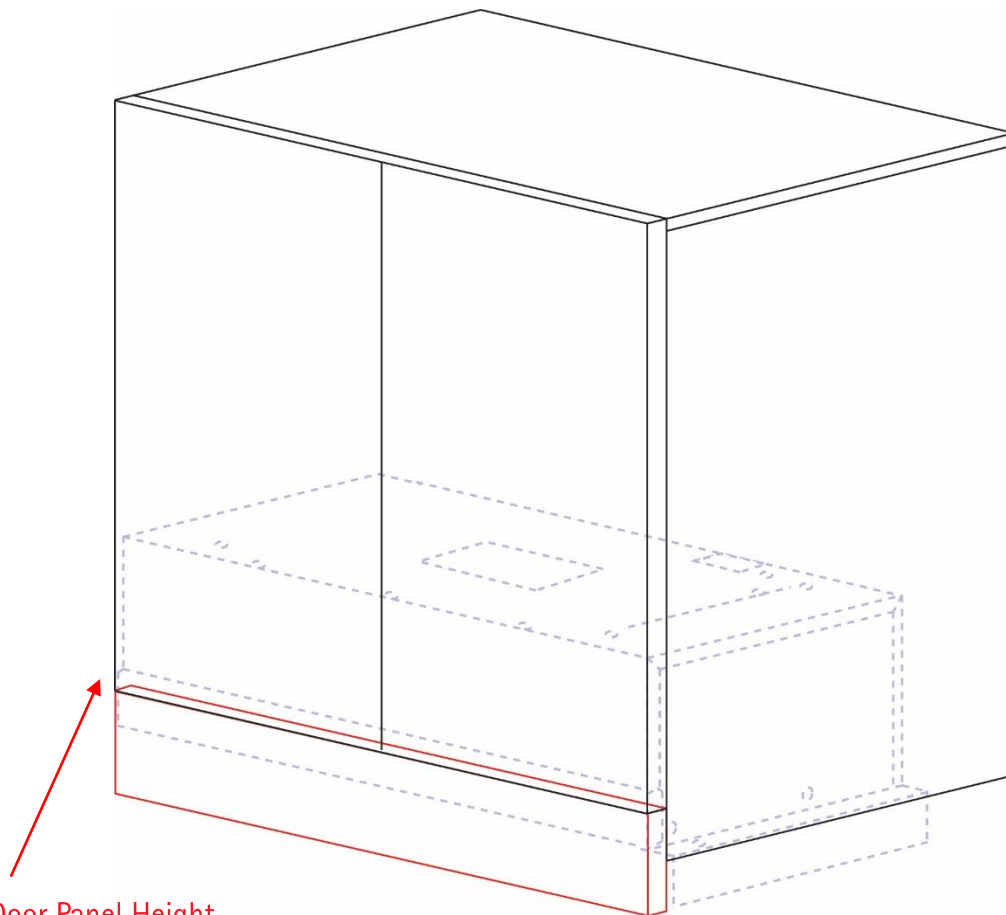
Detailed Specification Available at www.aeg-appliances.ca

Specifications

Perfekt Glide 36

CABINET DESIGN

RECIRCULATING



NOTE: Cabinet Door Panel Height

- Ensure that the cabinet door panel is shortened to accommodate the larger sized Range Hood Front Panel

Specifications are subject to change without notice.

Detailed Specification Available at www.aeg-appliances.ca