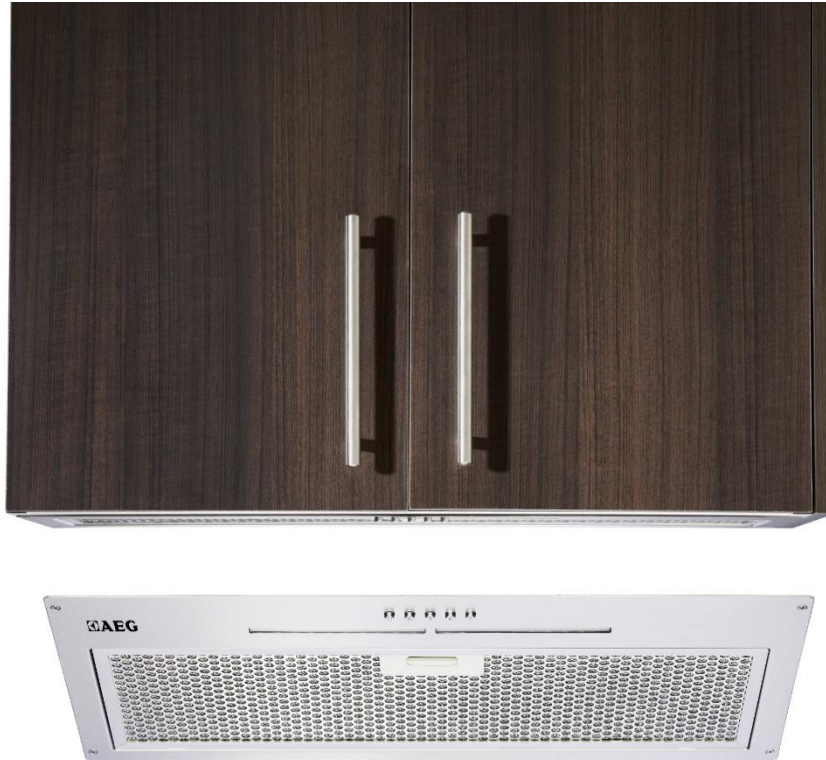


PERFEKT INSERT 24
24" Built-in Range Hood

Perfekt Insert 24

24" Built-in Range Hood



RANGE HOOD FEATURES

- 24" (60cm) stainless steel built-in range hood
- LED lighting
- 3 speed adjustment
- 1 x dishwasher safe honey comb filter
- Electronic push buttons
- Quiet (7 sones/56dB) 300 CFM motor

ELECTRICAL REQUIREMENTS

- 115 Volt, 60Hz, 15AMP
- AEG Range Hoods are supplied with a Canadian cord and plug

RANGE HOOD DIMENSIONS

- D: 11^{3/8}" x W: 23^{5/8}"
- D: 289mm x W: 600mm

CUT-OUT DIMENSIONS

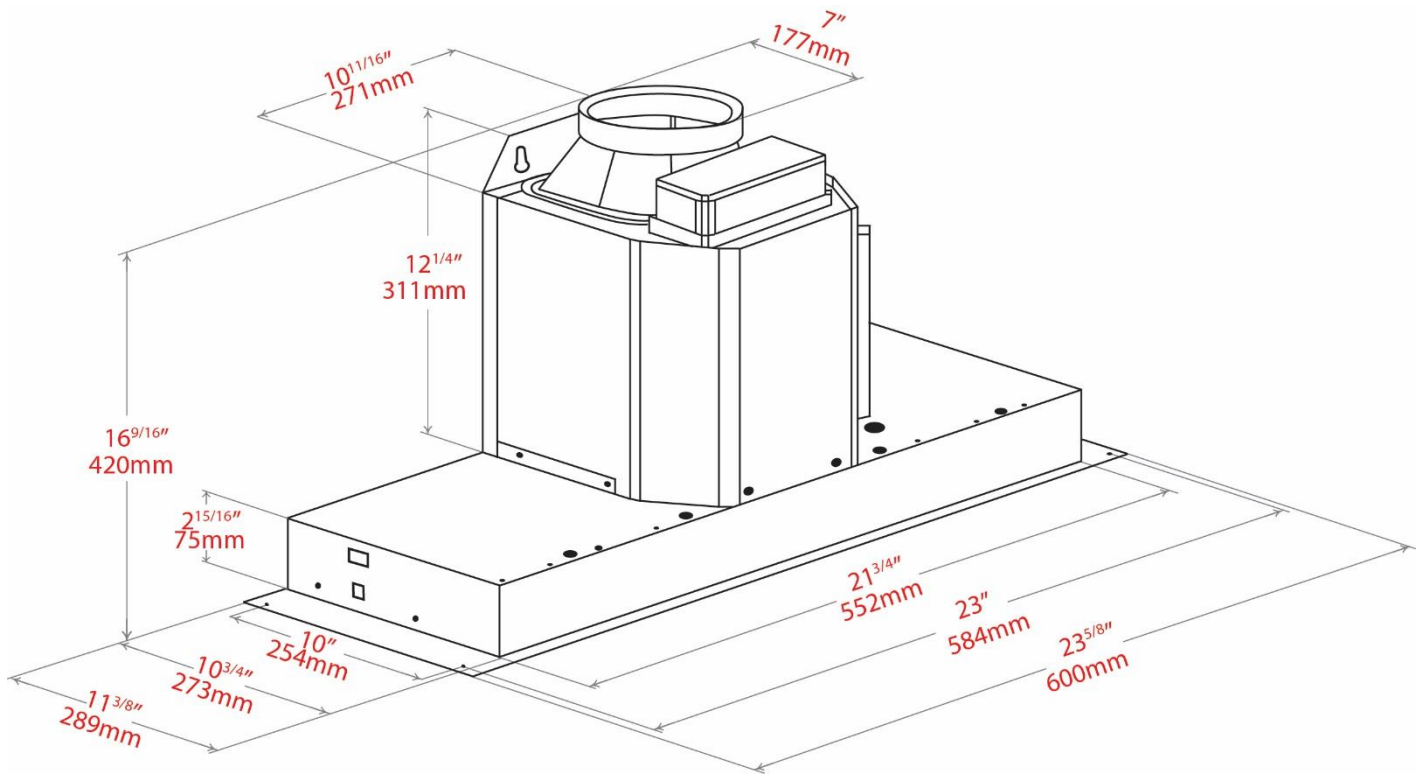
- D: 10^{3/4}" x W: 21^{3/4}"
- D: 273mm x W: 552mm

DUCT SIZE

- 7" Duct Size
- 6" Duct Adapter Included

Specifications

Perfekt Insert 24



Specifications are subject to change without notice.

Detailed Specification Available at www.aeg-appliances.ca

AEG appliances are designed and manufactured to the highest standards.
Each appliance is covered by a comprehensive 2 year parts and labour warranty.

www.aeg-appliances.ca

Refer to product warranty policy for complete terms and conditions.

FOR PARTS & SERVICE

Euro-Parts & Service

39822 Belgrave Road

Belgrave, ON N0G 1E0

1-800-678-8352 (CANADA)

1-800-561-4614 (USA)

www.euro-parts.ca

parts@euro-parts.ca

service@euro-parts.ca

AEG appliances are imported & distributed in North America by Euro-Line Appliances Inc.

For more information please visit one of our showrooms or

www.euro-line-appliances.com / www.elawest.com

EURO-LINE APPLIANCES INC.

871 Cranberry Court

Oakville, ON L6L 6J7

905-829-3980

1-800-421-6332

marketing@euro-line-appliances.com

EURO-LINE APPLIANCES WEST INC.

2912 West 4th Avenue

Vancouver, BC V6K 1R2

604-235-3980

1-855-ELA-WEST

info@elawest.com