

# PERFEKT VISOR 30

## 30" Range Hood

# Perfekt Visor 30

---

## 30" Range Hood



### RANGE HOOD FEATURES

- 30" (76cm) stainless steel and black glass range hood
- LED lighting
- 3 speed adjustment
- 2 x dishwasher perforated filters
- Touch controls
- Quiet (7 sones/56dB) 250 CFM motor

### RANGE HOOD DIMENSIONS

- D: 19<sup>7/8</sup>" x W: 30" x H: 2<sup>1/2</sup>"
- D: 505mm x W: 762mm x H: 64mm

### DUCT SIZE

- 7" Duct Size
- 6" Duct Adapter Included

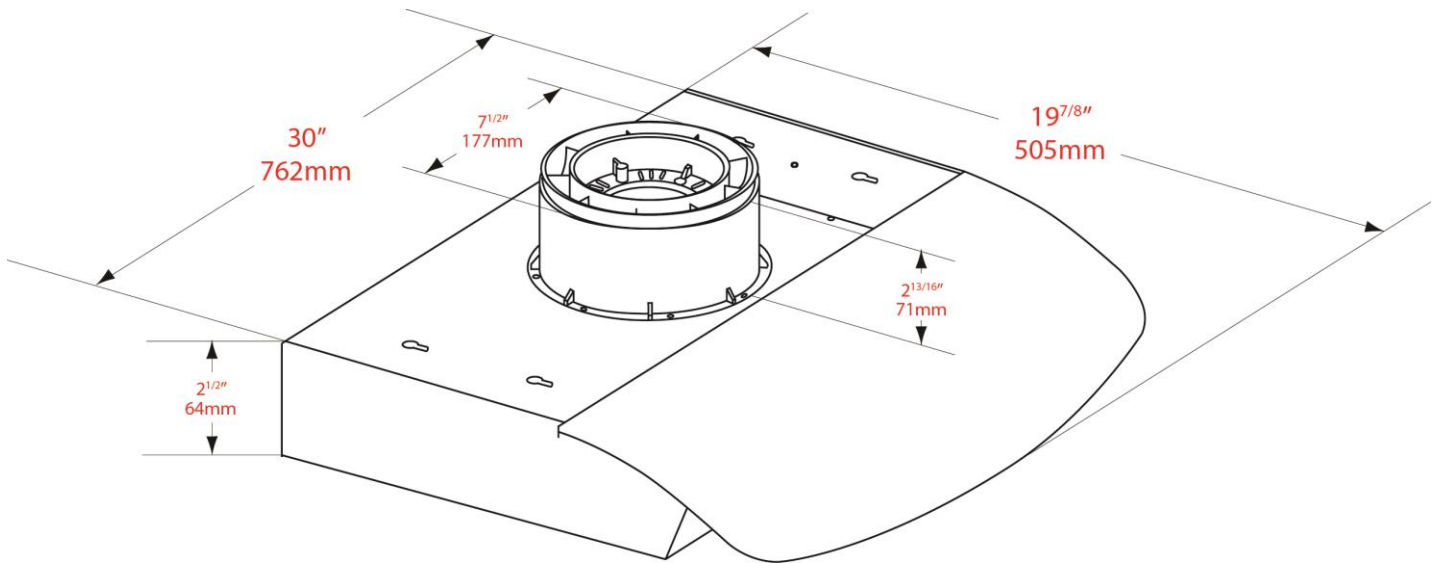
### ELECTRICAL REQUIREMENTS

- 115 Volt, 60Hz, 15AMP
- AEG Range Hoods are supplied with a Canadian cord and plug

# Specifications

---

## Perfekt Visor 30



Specifications are subject to change without notice.

Detailed Specification Available at [www.aeg-appliances.ca](http://www.aeg-appliances.ca)

**AEG** products are designed and built to the highest standards.  
Each appliance is covered by a comprehensive 2 year parts and labour warranty.

Refer to product warranty policy for complete terms and conditions.

For Service & Parts  
**EURO-PARTS**

39822 Belgrave Rd,  
Belgrave, Ontario, Canada,  
N0G 1E0

1.800.678.8352

---

AEG appliances are imported and distributed in North America by Euro-Line Appliances Inc.

For more information visit

[www.euro-line-appliances.com](http://www.euro-line-appliances.com) / [www.elawest.com](http://www.elawest.com)

***EURO-LINE APPLIANCES INC.***

871 Cranberry Court  
Oakville, ON L6L 6J7  
Canada  
Toll Free: 1.800.421.6332  
Showroom: 905.829.3980  
[marketing@euro-line-appliances.com](mailto:marketing@euro-line-appliances.com)

***EURO-LINE APPLIANCES WEST INC.***

2912 West 4th Ave  
Vancouver, BC V6K 1R2  
Canada  
Toll Free: 1.855.ELA WEST (352.9378)  
Showroom: 604.235.3980  
[info@elawest.com](mailto:info@elawest.com)