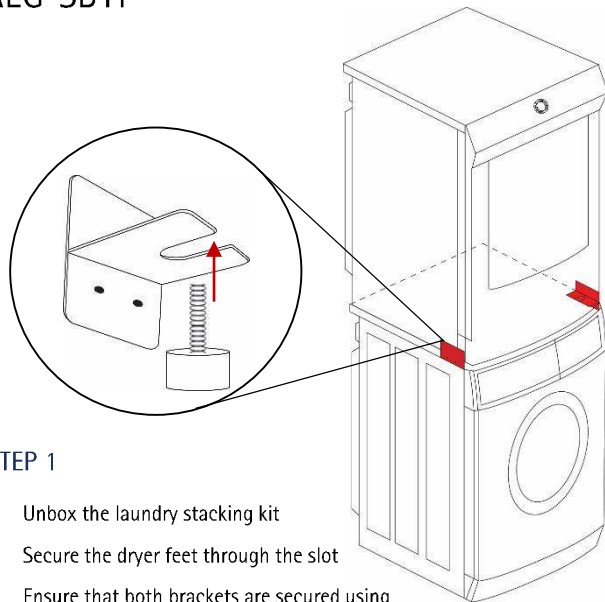


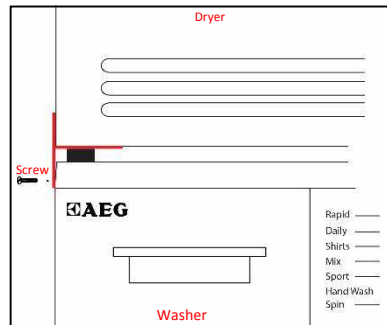
LAUNDRY STACKING KIT

AEG-SB11



STEP 1

- Unbox the laundry stacking kit
- Secure the dryer feet through the slot
- Ensure that both brackets are secured using the above method on both the appliance feet



STEP 2

- Secure the stacking brackets using the tapping screws provided
- Ensure tapping screws are fastened to both of the brackets