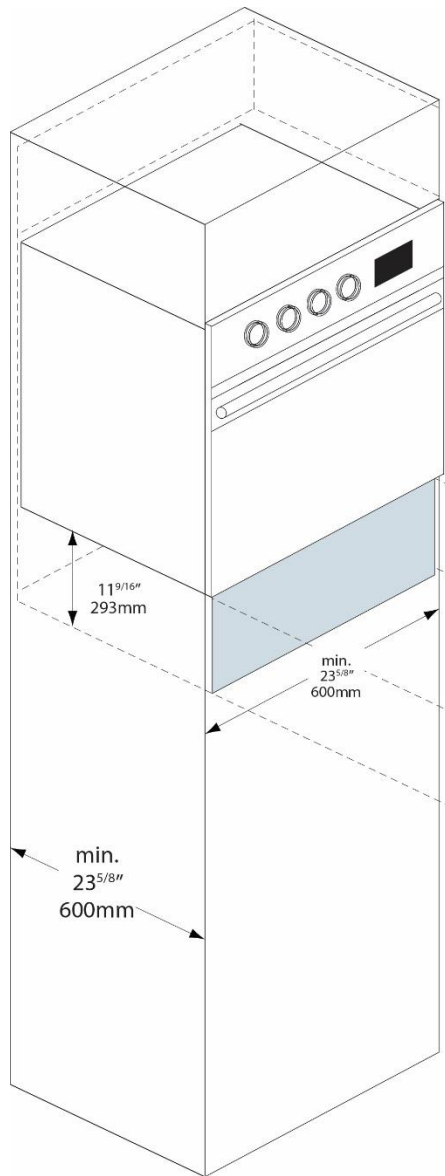


WD60-29  
24" WARMING DRAWER

# Specifications

WD60-29



## WARMING DRAWER FEATURES

- 24" (60cm) wide stainless steel warming drawer
- 4 programs
- 11<sup>7/16</sup>" (290mm) high
- 12 place setting capacity

## WARMING DRAWER DIMENSIONS

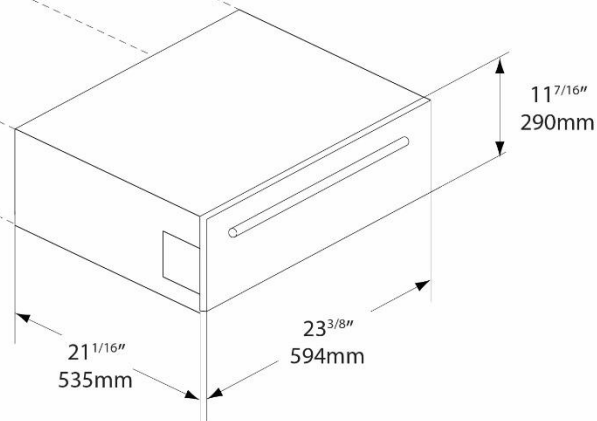
- D: 21<sup>1/16</sup>" x W: 23<sup>3/8</sup>" x H: 11<sup>7/16</sup>"
- D: 535 mm x W: 594 mm x H: 290 mm

## OPENING DIMENSIONS

- D: min. 23<sup>5/8</sup>" x W: min. 23<sup>5/8</sup>" x H: 11<sup>9/16</sup>"
- D: 600 mm x W: min. 600 mm x H: 293 mm

## ELECTRICAL REQUIREMENTS

- 220 Volt, 60Hz, 15AMP



Specifications are subject to change without notice.

Specifications Available at [www.aeg-appliances.ca](http://www.aeg-appliances.ca)

## GUARANTEE/CUSTOMER SERVICE CENTRES

### EURO-LINE APPLIANCES INC.

#### LENGTH OF WARRANTY

TWO YEAR FULL WARRANTY from original date of purchase, including parts and labour, to the first purchaser of this appliance. When the appliance is installed, operated, and maintained according to the instructions attached to or provided with the product, AEG CANADA will pay for replacement parts and/or labour to repair defects in materials or workmanship. Service must be provided by an authorized Euro-Line company (unless advised otherwise). This warranty is void if the consumer attempts to repair the appliance or has someone other than an authorized person try to repair it. The sole and exclusive remedy under this warranty shall be product service and repair as provided herein. THIS GUARANTEE DOES NOT COVER COMMERCIAL USE.

#### EXCEPTIONS:

AEG CANADA WILL NOT PAY FOR THE FOLLOWING SERVICE CALLS:

1. To install or correct the installation of an appliance
2. To provide instruction on the use of an appliance.
3. To replace house fuses, re-set circuit breakers or correct house wiring.
4. To correct house plumbing.
5. To clean drains, filters or garbage disposals.
6. To repair an appliance if it fails due to misuse or abuse.
7. To repair cosmetic damage to the appliance, unless such damage results from a defect in the workmanship or materials. Such damage must be reported to AEG CANADA within 5 days from the date of purchase.

AEG CANADA WILL NOT PAY WHEN THE FOLLOWING OCCURS:

1. Damage resulting from fires, acts of God, alteration, accident, improper installation, installation not in accordance with local building codes, or uses not approved by AEG CANADA or the manufacturer of the appliance.
2. Pickup or delivery of major appliances requiring service. The appliances are designed to be repaired in the home. However, AEG CANADA will not be responsible for travelling and labour costs if the customer lives in excess of 50km/30 miles, or if the travel time is in excess of 30 minutes from the nearest service center.

The consumer shall ensure that it keeps all drains clear, that it replaces all filters in accordance with the manufacturer's specifications and ensures that all electrical wiring meets local codes and conforms to the manufacturer's specifications. In no event will AEG CANADA or its parents, subsidiaries or affiliates be responsible for (i) damages which are caused, in whole or in part, by the consumer's failure to comply with the foregoing obligations, (ii) incidental, consequential, punitive, exemplary or special damages, or (iii) damages in excess of the price paid for the product for which a claim is made. For warranty service and parts, contact EURO-PARTS. Service will be provided during normal business hours. Should you have a service problem that is not resolved locally, contact:

For Service and Parts Contact:

EURO-PARTS, USA  
Tel: 1-800-561-4614  
Fax: 1-519-528-5001

EURO-PARTS, CANADA  
Tel: 1-800-678-8352  
Fax: 1-519-528-5001

EURO-LINE APPLIANCES  
1-800-421-6332  
Tel. Direct: 1-905-829-3980  
Fax: 1-905-829-3985

USER INSTRUCTIONS & INSTALLATION MANUAL  
Service & Repair

To save you time and money please have the following information ready in case you have to call for service:

- Name of the dealer from whom you purchased the appliance
- Model number (shown on the rating plate)
- Serial number (shown on the rating plate)
- Date of purchase

You should also retain the original purchase receipt to support any claim made under the warranty. (We suggest you staple the receipt to this page.)

If service is required, contact the Service Center:

EURO-PARTS, CANADA  
Tel: 1-800-678-8352  
Fax: 1-519-528-5001

EURO-PARTS, USA  
Tel: 1-800-561-4614  
Fax: 1-519-528-5001

---

AEG appliances are imported and distributed in North America by Euro-Line Appliances Inc.

For more information visit

[www.euro-line-appliances.com](http://www.euro-line-appliances.com) / [www.elawest.com](http://www.elawest.com)

***EURO-LINE APPLIANCES INC.***

871 Cranberry Court  
Oakville, ON L6L 6J7  
Canada  
Toll Free: 1.800.421.6332  
Showroom: 905.829.3980  
[marketing@euro-line-appliances.com](mailto:marketing@euro-line-appliances.com)

***EURO-LINE APPLIANCES WEST INC.***

2912 West 4th Ave  
Vancouver, BC V6K 1R2  
Canada  
Toll Free: 1.855.352-9378  
Showroom: 604.235.3980  
[info@elawest.com](mailto:info@elawest.com)