

# PE3811-M

24" Built-in Stainless Steel Automatic Coffee Maker



perfekt in form und funktion

**PE3811-M/**

## 24" BUILT-IN STAINLESS STEEL COFFEE MAKER

---

### Features

- 24" (60cm) built-in anti-fingerprint stainless steel automatic coffee maker
  - 30" installation use trim kit TK388SS
  - Prepares a range of beverages including espresso, lattes, and cappuccinos
  - Uses fresh beans ground as needed
  - Brew up to 4 cups of coffee
  - Coffee Taste function to give you precise control over each cup
  - Pre-programmed coffee selection
  - Removable 1.5L water tank
  - LCD digital display
  - Steam/water spout
  - Automatic self-cleans before every brew cycle
- 



# PE3811-M/

## 24" BUILT-IN STAINLESS STEEL COFFEE MAKER

### Dimensions

D: 17<sup>13/16"</sup> x H: 15<sup>5/64"</sup> x W: 23<sup>5/16"</sup>

D: 43.7 cm x H: 38.7 cm x W: 59.2 cm

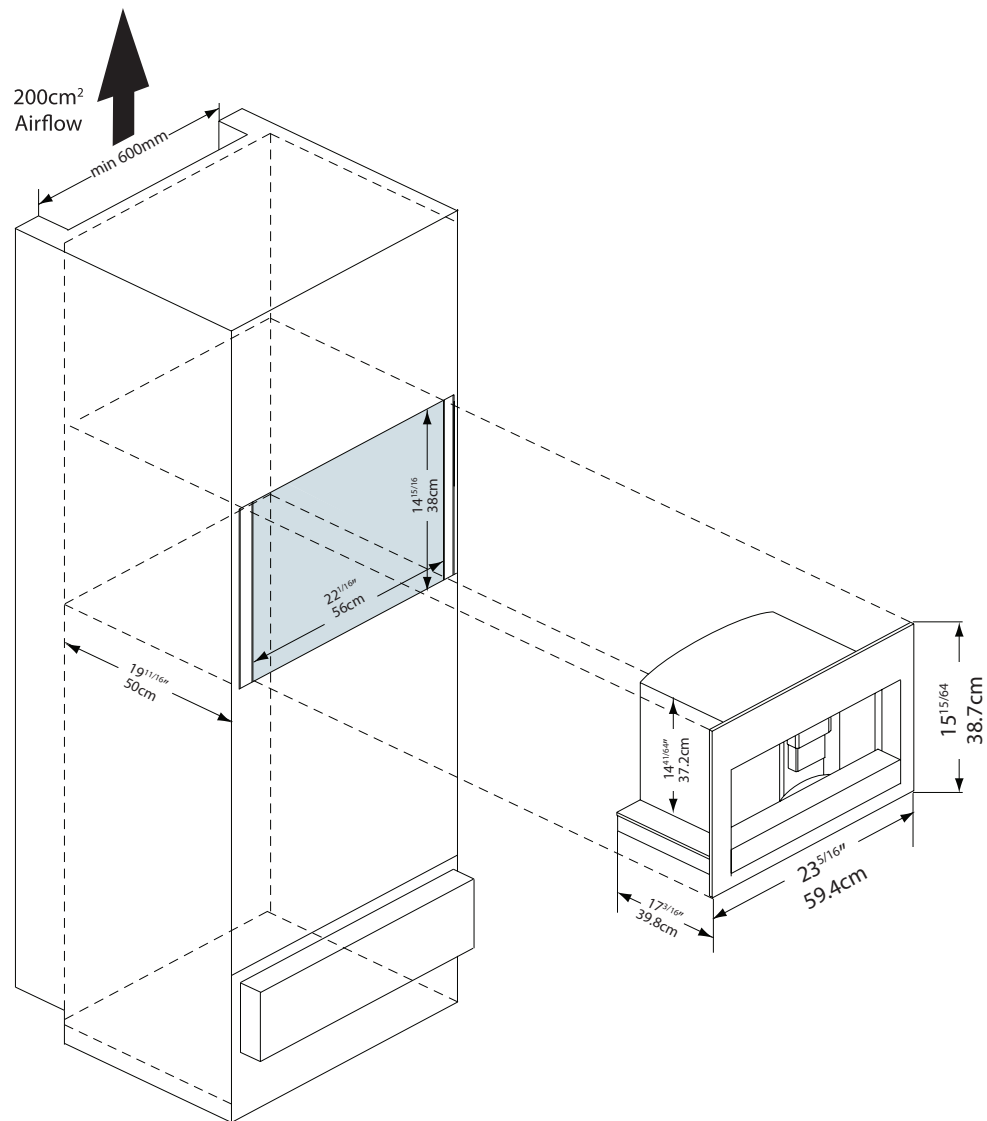
### Electrical Requirements

208 / 240 Volt, 60Hz, 15 AMP

### Cut-Out Dimensions

D: 19<sup>11/16"</sup> x H: 14<sup>15/16"</sup> x W: 22<sup>1/16"</sup>

D: 50 cm x H: 38 cm x W: 56 cm



**AEG** products are designed and built to the highest standards.  
Each appliance is covered by a comprehensive 2 year parts and labour warranty.

Refer to product warranty policy for complete terms and conditions.

For Service & Parts  
**EURO-PARTS**  
1-800.678-8352

---

---

AEG appliances are imported and distributed in North America by Euro-Line Appliances Inc.  
For more information visit  
[www.euro-line-appliances.com](http://www.euro-line-appliances.com) / [www.elawest.com](http://www.elawest.com)

***EURO-LINE APPLIANCES INC.***

871 Cranberry Court  
Oakville, ON L6L 6J7  
Canada  
Toll Free: 1.800.421.6332  
Showroom: 905.829.3980  
[marketing@euro-line-appliances.com](mailto:marketing@euro-line-appliances.com)

***EURO-LINE APPLIANCES WEST INC.***

2912 West 4th Ave  
Vancouver, BC V6K 1R2  
Canada  
Toll Free: 1.855.352-9378  
Showroom: 604.235.3980  
[info@elawest.com](mailto:info@elawest.com)