

BPK556320PM
24" Built-in Multi-function Oven with
PlusSteam

AEG

BPK556320PM

24" Built-in Multi-function Oven with PlusSteam



ADD STEAM FOR CRISPIER BAKING

In addition to all your standard oven functions, the PlusSteam button in this SteamBake oven adds steam at the beginning of the baking process. The steam cooking keeps the dough moist on the surface to create a golden colour and tasty crust, while the heart stays soft and moist.



Perfect results with the Food Sensor

Thanks to the Food Sensor of this oven you can measure the core temperature from the center of your dish during the cooking process. So you get the perfect results every time.



A Self-cleaning oven

With one touch of the Pyrolytic cleaning function, dirt, grease, and food residue in the oven is converted into ash that you can easily wipe off with a damp cloth.

OVEN FEATURES

- 71 Litre usable oven capacity
- Soft close door
- Hexagon LED display
- Isofront® Plus quadruple glazed door
- Fan controlled defrosting
- Base heat finishing
- Food sensor
- Retractable controls
- Anti-fingerprint stainless steel
- Digital heat up / residual heat indicator
- Auto safety switch off and child lock
- Count up timer
- Delay timer, minute minder

TECHNICAL SPECS

- Pyrolytic clean
- 3200 Watts, 240v, 20AMPS, 60Hz
- Temperature range 30°C – 300°C
- Water cavity: 205ml

OVEN ACCESSORIES

- Wire shelf
- Baking tray
- Grill / Roasting pan
- Temperature Probe
- Telescopic rails

BPK556320PM

PROGRAMS



FAST HEAT UP



TRUE FAN CONVECTION COOKING



TRUE FAN CONVECTION COOKING PLUS



PIZZA MODE



CONVENTIONAL COOKING



BOTTOM HEAT



GRILLING



TURBO GRILLING



MOIST FAN BAKING



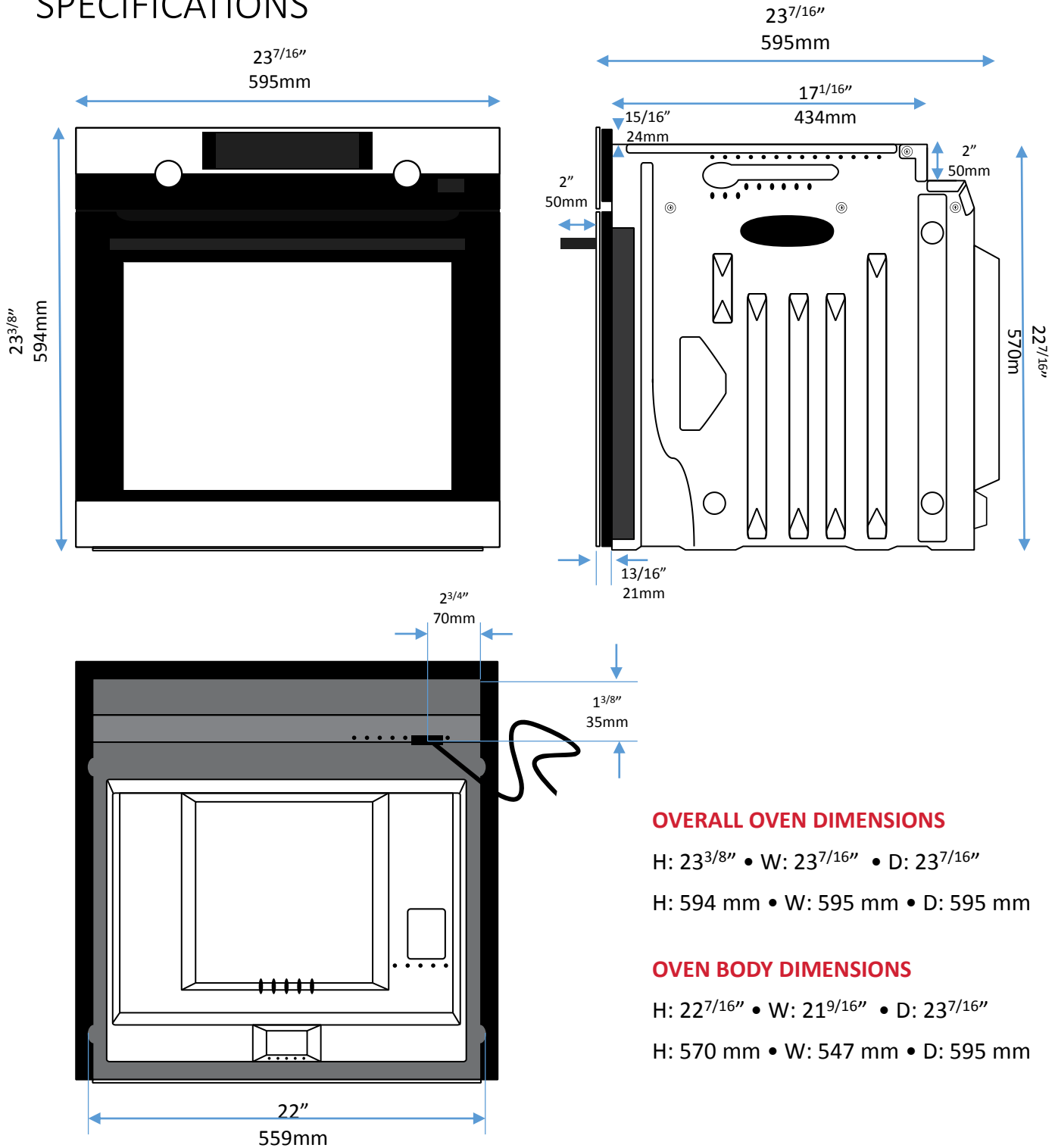
DEFROST



PYROLYTIC CLEAN

BPK556320PM

SPECIFICATIONS



OVERALL OVEN DIMENSIONS

H: $23\frac{3}{8}''$ • W: $23\frac{7}{16}''$ • D: $23\frac{7}{16}''$
 H: 594 mm • W: 595 mm • D: 595 mm

OVEN BODY DIMENSIONS

H: $22\frac{7}{16}''$ • W: $21\frac{9}{16}''$ • D: $23\frac{7}{16}''$
 H: 570 mm • W: 547 mm • D: 595 mm

BPK556320PM

DIMENSIONS + CUT-OUTS

OVEN DIMENSIONS

- H: 22^{7/16}" • W: 21^{9/16}" • D: 23^{7/16}"
- H: 570 mm • W: 547 mm • D: 595 mm

CUT-OUT DIMENSIONS

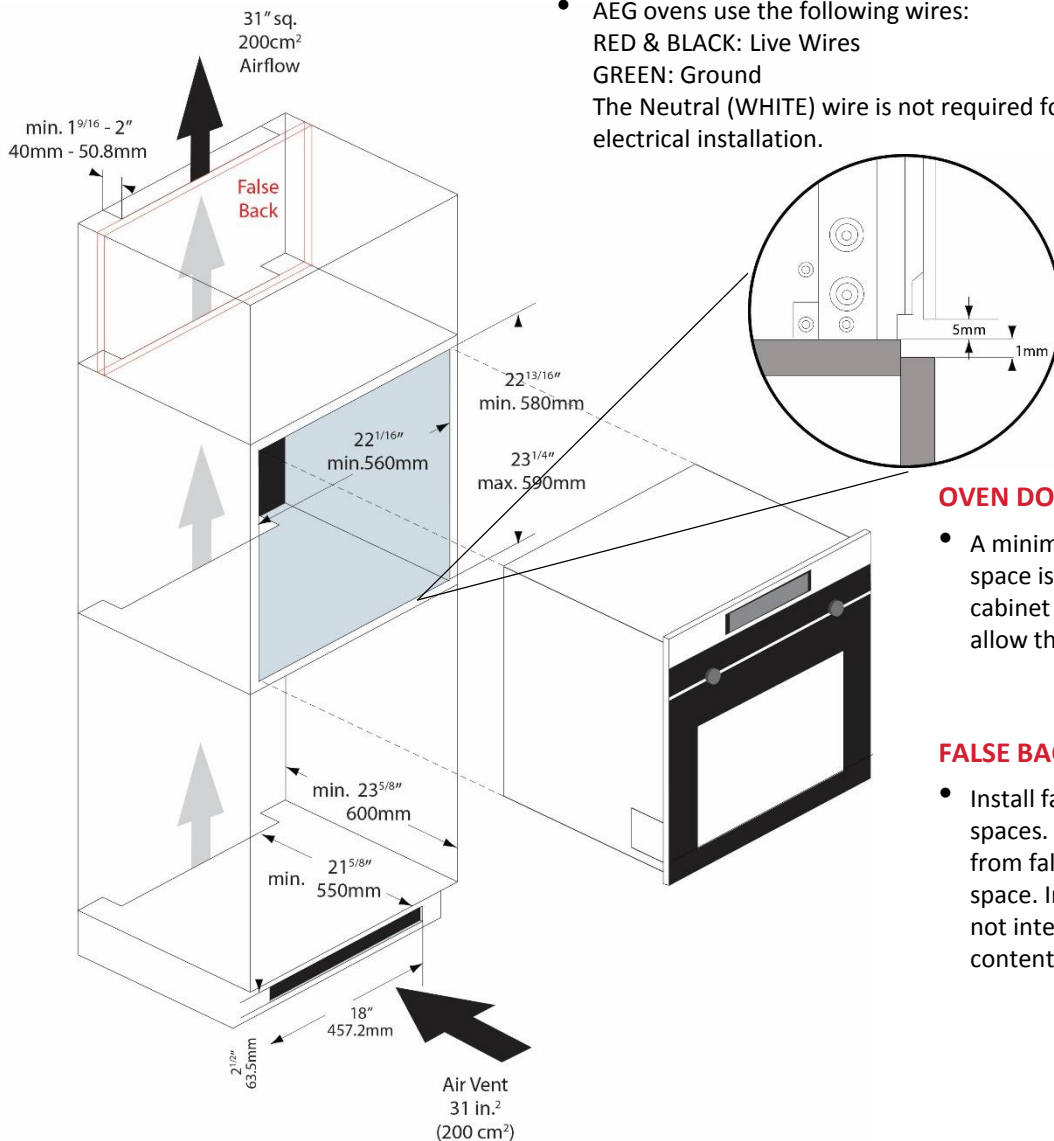
- H: min. 22^{13/16}" x W: min. 22^{1/16}" x D: 23^{5/8}"
- H: min. 580mm x W: min. 560mm x D: 600mm

ELECTRICAL REQUIREMENTS

- 208/230 Volt, 60Hz, 20 AMP, 3200W

IMPORTANT

- AEG ovens are supplied with a 5' long electrical cable and must be hard wired to the electrical supply
- AEG ovens use the following wires:
RED & BLACK: Live Wires
GREEN: Ground
The Neutral (WHITE) wire is not required for the electrical installation.



OVEN DOOR CLEARANCE

- A minimum of 1mm of clearance space is needed above the cabinet or appliance below to allow the oven door to open

FALSE BACKS

- Install false backs for storage spaces. This will prevent contents from falling through the vent space. In addition, warm air will not interfere with your stored contents

BPK556320PM

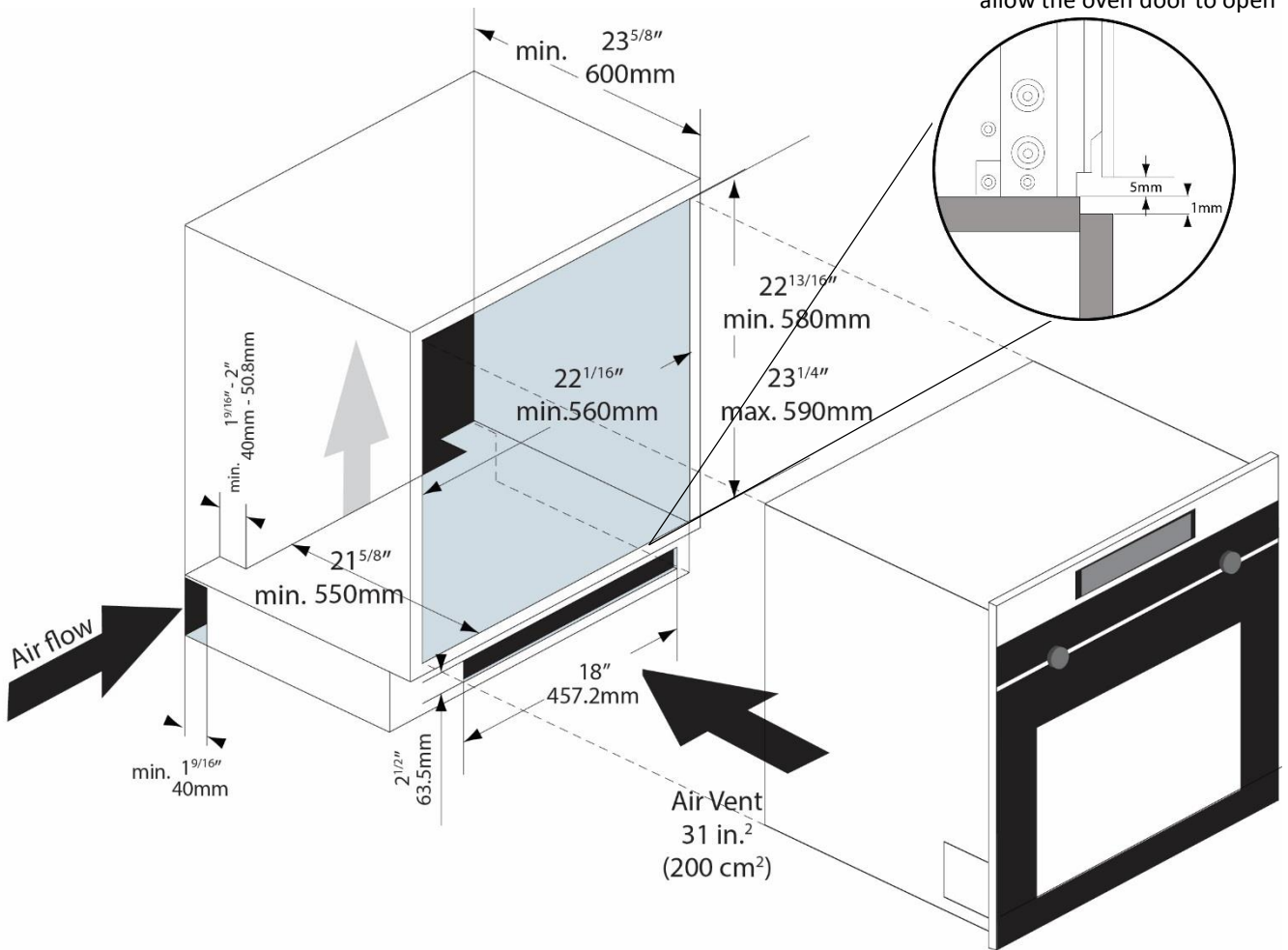
DIMENSIONS + CUT-OUTS

AIR FLOW REQUIREMENTS

- If the oven is being placed under the counter, there must be a minimum gap of $1\frac{9}{16}$ " (4cm) cut out of the shelf behind the oven to allow air to flow freely.
- If sufficient air flow is not provided, the life of the appliance will be shortened.
- Cut-out in the toe kick is optional and recommended.
- Bottom vent grill (7427640) available.

OVEN DOOR CLEARANCE

- A minimum of 1mm of clearance space is needed above the cabinet or appliance below to allow the oven door to open



AEG

AEG Appliances are designed and manufactured to the highest standards. Each appliance is covered by a comprehensive 2-year parts and labour warranty.

Refer to product warranty policy for complete terms and conditions.

FOR PARTS AND SERVICE

Euro-Parts & Service

39822 Belgrave Road, Belgrave, ON. N0G 1E0

1 800 678 8352 (Canada) • 1 800 561 4614 (U.S.)

www.euro-parts.ca • parts@euro-parts.ca • service@euro-parts.ca

AEG appliances are imported and distributed in North America by Euro-Line Appliances Inc. For more information, please visit one of our showrooms or

www.euro-line-appliances.com www.elawest.com

EURO-LINE APPLIANCES INC.

871 Cranberry Court
Oakville, ON L6L 6J7 Canada
905 829 3980
1 800 421 6332

marketing@euro-line-appliances.com

EURO-LINE APPLIANCES WEST INC.

2912 West 4th Avenue
Vancouver, BC V6K 1R2 Canada
604 235 3980
1 855 ELA WEST (352.9378)

info@elawest.com

