

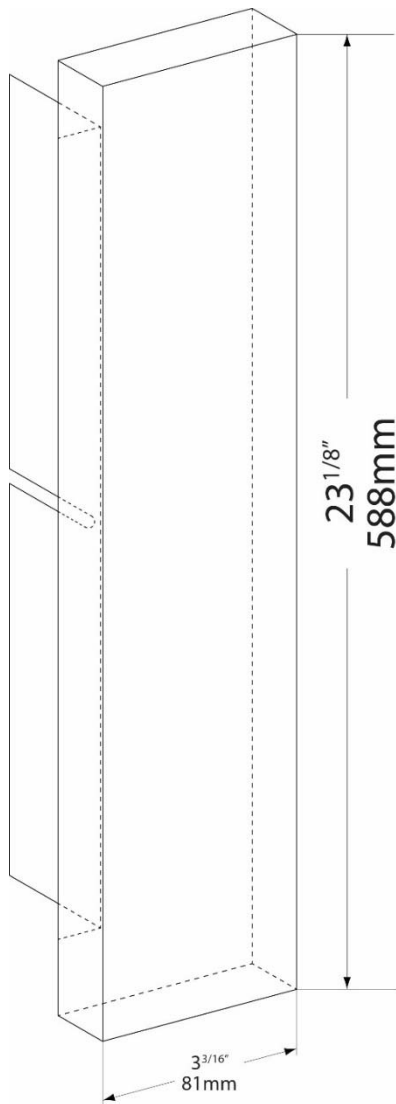
BTK76SS
30" Stainless Steel Trim Kit

AEG

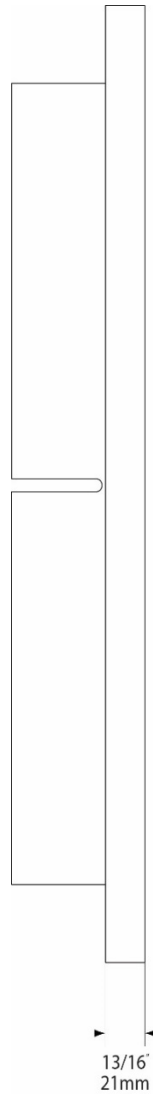
BTK76SS

30" Stainless Steel Trim Kit

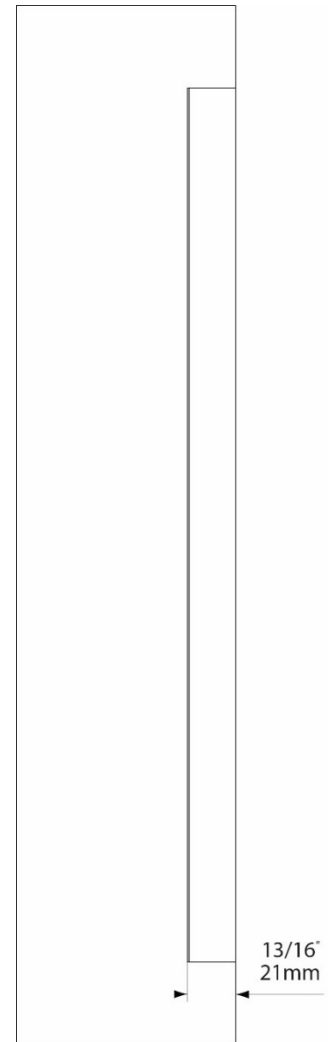
¾ View



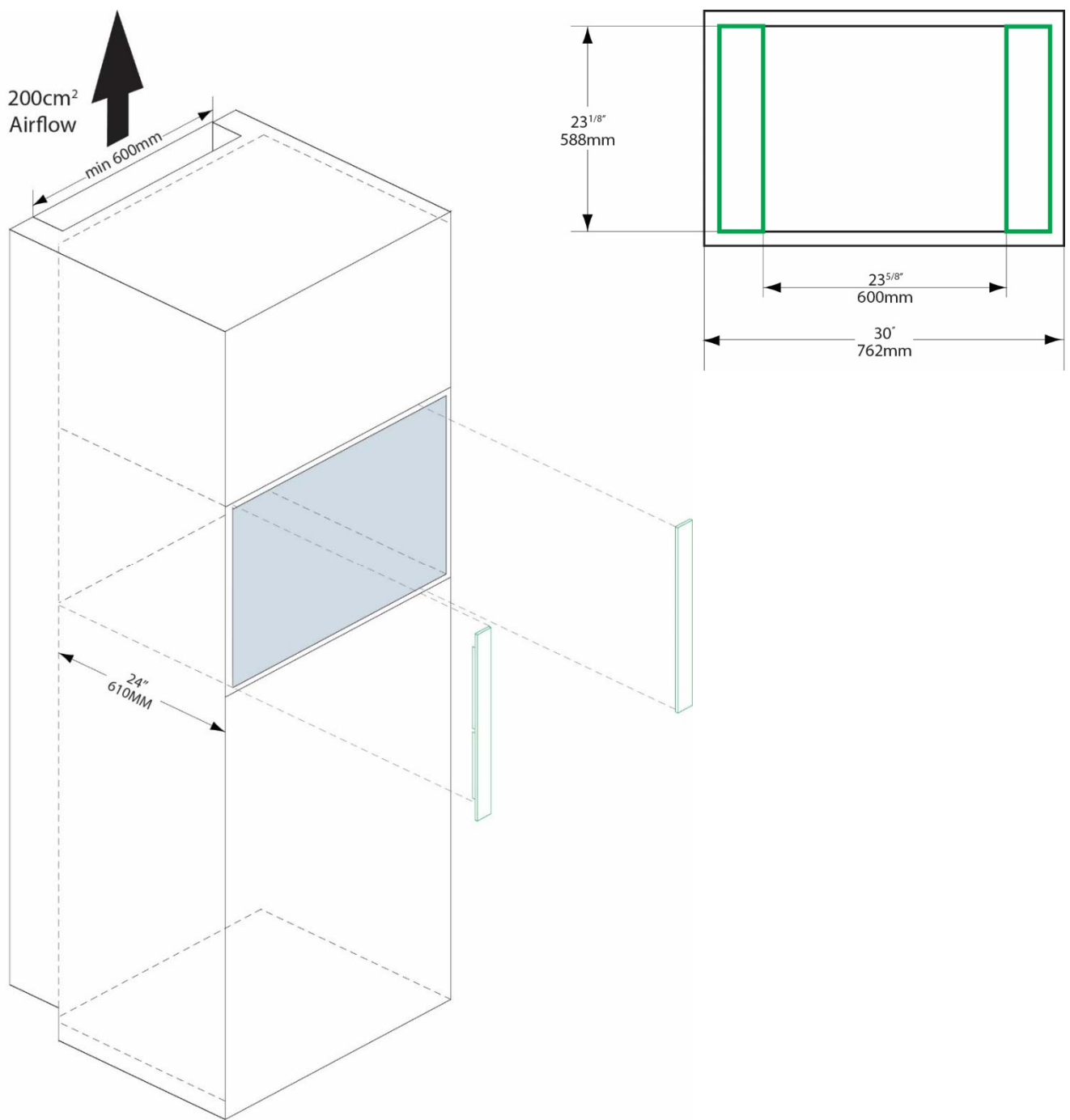
Side View



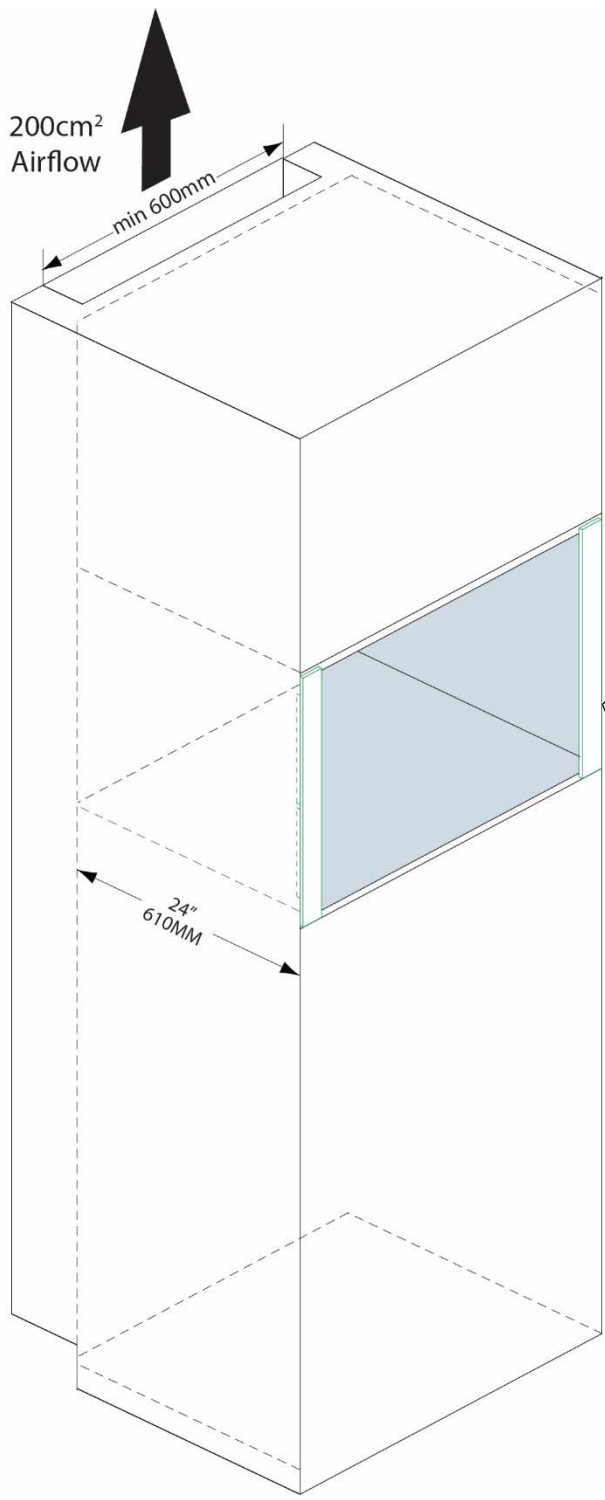
Rear View



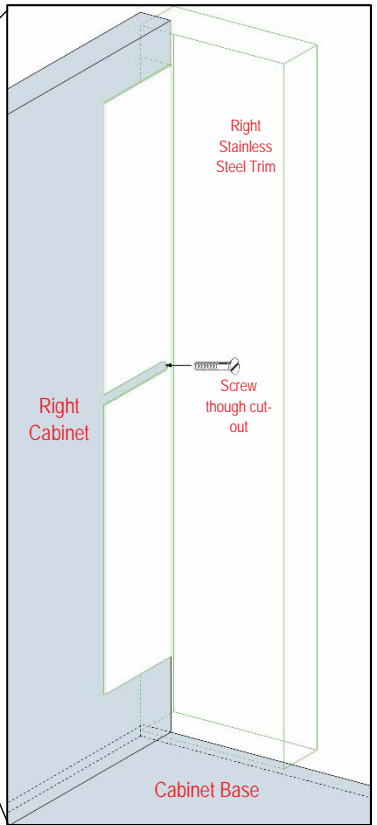
Specifications (Column Installation)



Specifications (Column Installation)



Close-up View
Right Side Cabinet Opening



AEG

AEG Appliances are designed and manufactured to the highest standards. Each appliance is covered by a comprehensive 2-year parts and labour warranty.

Refer to product warranty policy for complete terms and conditions.

FOR PARTS AND SERVICE

Euro-Parts & Service

39822 Belgrave Road, Belgrave, ON. N0G 1E0

1 800 678 8352 (Canada) • 1 800 561 4614 (U.S.)

www.euro-parts.ca • parts@euro-parts.ca • service@euro-parts.ca

AEG appliances are imported and distributed in North America by Euro-Line Appliances Inc. For more information, please visit one of our showrooms or

www.euro-line-appliances.com www.elawest.com

EURO-LINE APPLIANCES INC.

871 Cranberry Court

Oakville, ON L6L 6J7 Canada

905 829 3980

1 800 421 6332

marketing@euro-line-appliances.com

EURO-LINE APPLIANCES WEST INC.

101 – 1014 Homer Street

Vancouver, BC V6B 2W9 Canada

604 235 3980

1 855 ELA WEST (352.9378)

info@elawest.com

