

HK654070XB
24" Ceramic Electric Cooktop

AEG

HK654070XB

24" Ceramic Electric Cooktop



COOKTOP FEATURES

- 24" (60cm) Ceramic electric cooktop
- Stainless steel trim
- DirekTouch slide design touch controls
- 4 Hi-Lite zones with 14 power levels
- LED display indicating power level
- Adjustable timer – max 99 mins.
- Stop+Go function
- Child safety lock
- Residual heat indicator
- 3" deep for easy installation

COOKTOP PERFORMANCE

- 4 Hi-Lite Zones

2 x 14.5cm Single Zones: 1200 Watts

- 1 x Oval Expandable Zone
- 1 x 17cm Single Zone: 1500 Watts
- 1 x 26.5cm Expanded Zone: 2400 Watts

1 x Triple Expanded Zone:

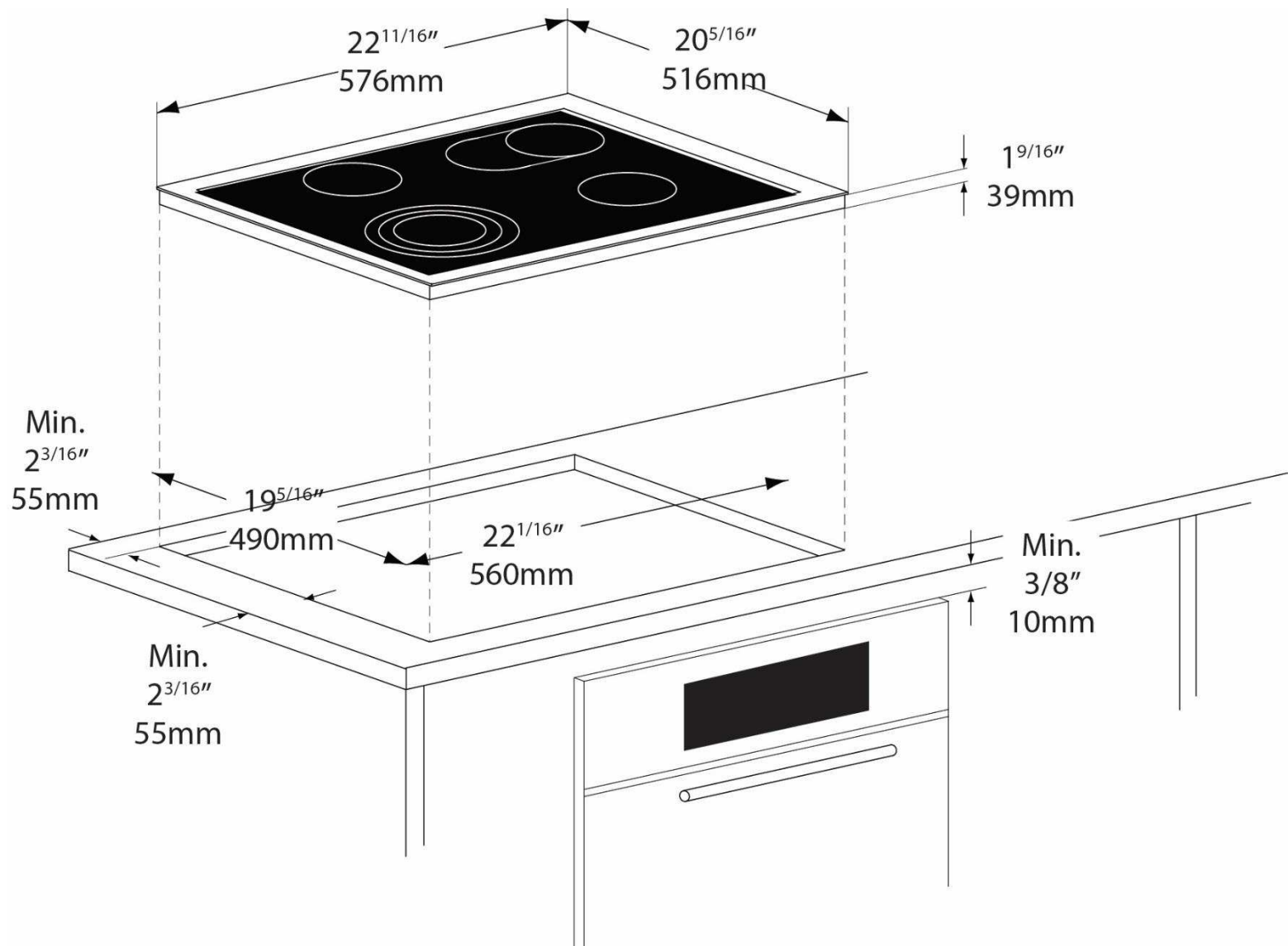
- 1 x 12cm Single Zone: 800 Watts
- 1 x 17.5cm Expanded Single Zone: 1600 Watts
- 1 x 21cm Expanded Single Zone: 2300 Watts

ELECTRICAL REQUIREMENTS

- 208 / 230 Volt, 60Hz, 40 AMP, 7100W
- AEG Cooktops are supplied with a 5' long electrical cable and must be hard wired to the electrical supply.
- AEG cooktops uses the following wires:
RED & BLACK: Live Wires
GREEN: Ground
The Neutral (White) wire is not required for the electrical installation.

Specifications

HK654070XB



COOKTOP DIMENSIONS

- D: 20⁵/₁₆" x W: 22¹¹/₁₆"
- D: 516mm x W: 576mm

CUT-OUT DIMENSIONS

- D: 19⁵/₁₆" x W: 22¹/₁₆"
- D: 490mm x W: 560mm

ELECTRICAL REQUIREMENTS

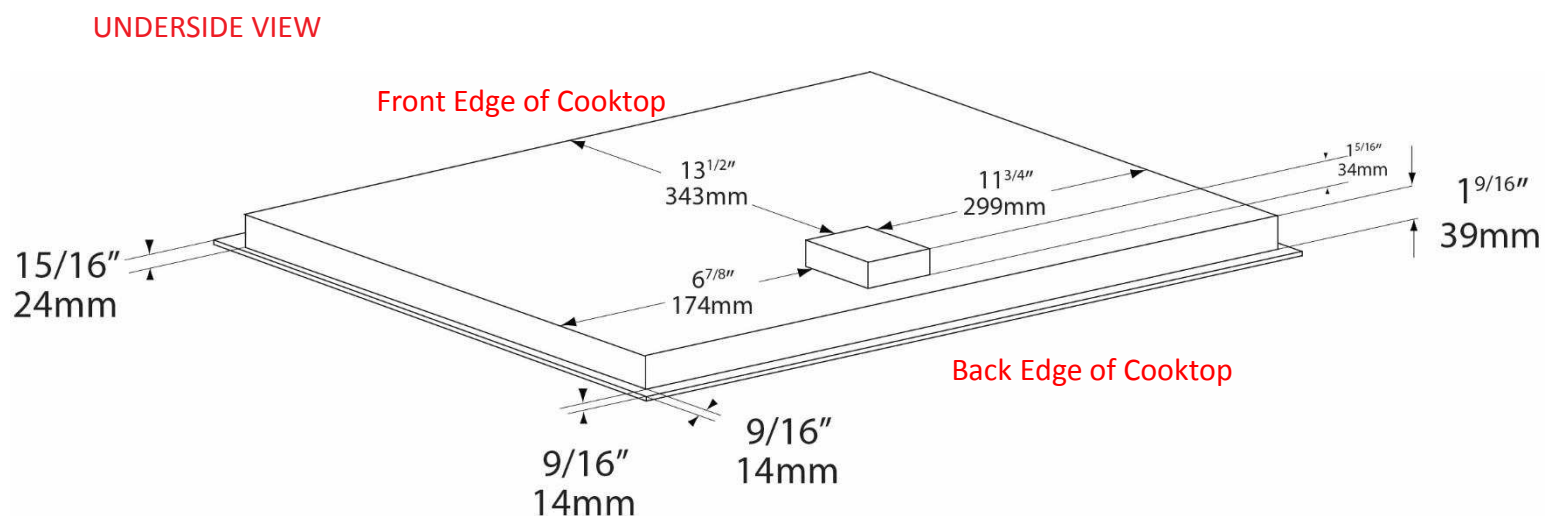
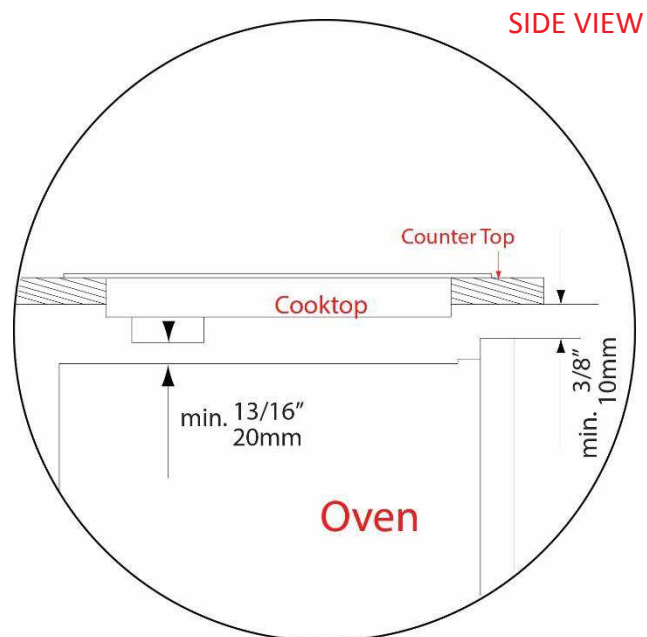
- 208 / 230 Volt, 60Hz, 40 AMP, 7100W
- AEG Cooktops are supplied with a 5' long electrical cable and must be hard wired to the electrical supply.
- AEG cooktops uses the following wires:
RED & BLACK: Live Wires
GREEN: Ground
The Neutral (White) wire is not required for the electrical installation.

Specifications

HK654070XB

INSTALLING OVER BUILT-IN OVEN

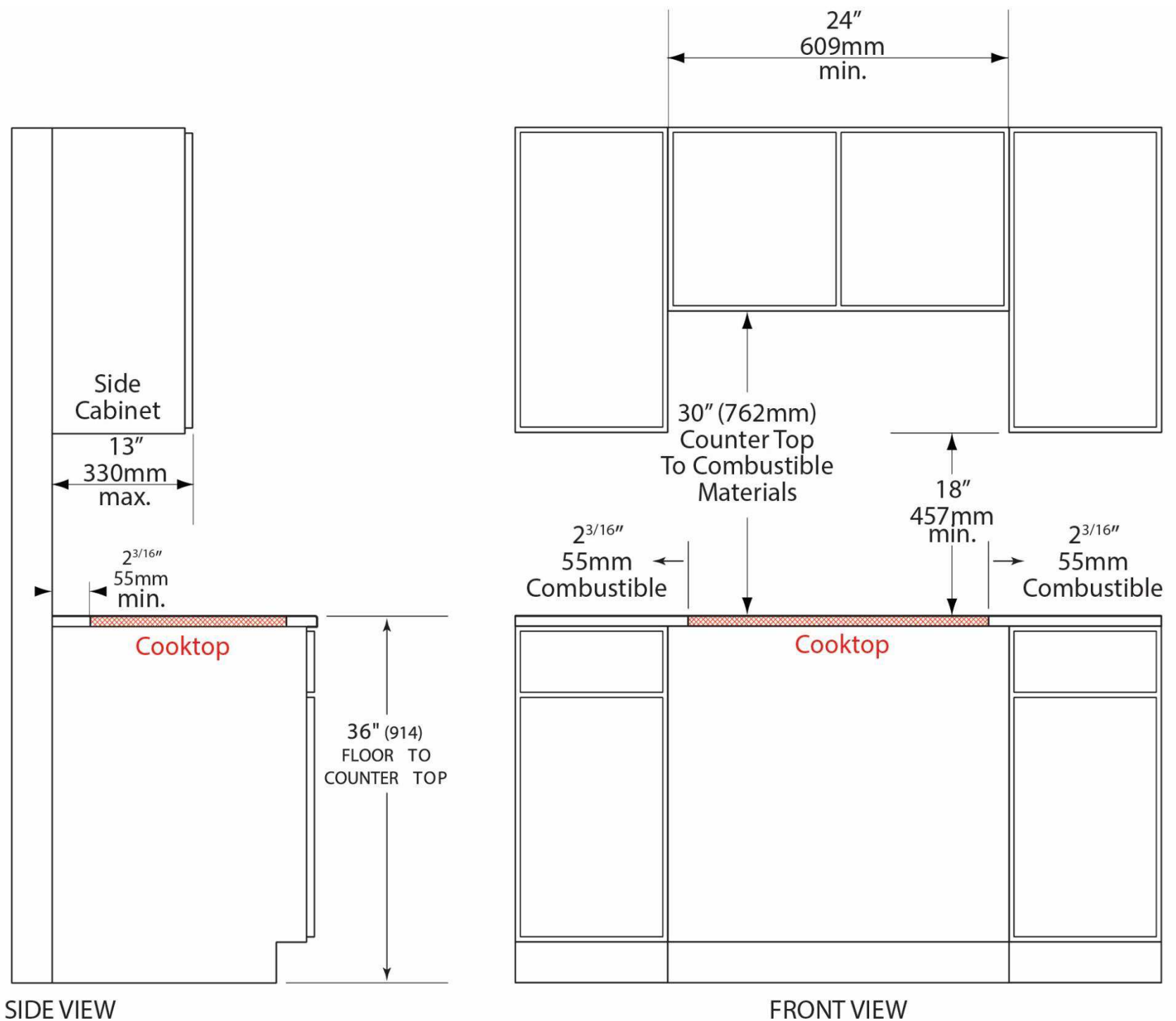
- There must be a minimum of 20mm ($13/16''$) of space left between the bottom of the cooktop and the oven to allow air to flow.
- There must be a minimum of 5mm ($3/16''$) of space left between the counter top and the door panel of a built-in oven / drawer.
- If sufficient air flow is not provided, the life of the appliance will be shortened.



Specifications

HK654070XB

RECOMMENDED CABINET MINIMUM CLEARANCE



* Minimum clearance from cooktop cut-out to combustible materials up to 18" (457mm) above countertop

AEG

AEG Appliances are designed and manufactured to the highest standards. Each appliance is covered by a comprehensive 2-year parts and labour warranty.

Refer to product warranty policy for complete terms and conditions.

FOR PARTS AND SERVICE

Euro-Parts & Service

39822 Belgrave Road, Belgrave, ON. N0G 1E0
1 800 678 8352 (Canada) • 1 800 561 4614 (U.S.)

www.euro-parts.ca • parts@euro-parts.ca • service@euro-parts.ca

AEG appliances are imported and distributed in North America by Euro-Line Appliances Inc. For more information, please visit one of our showrooms or

www.euro-line-appliances.com www.elawest.com

EURO-LINE APPLIANCES INC.

871 Cranberry Court
Oakville, ON L6L 6J7 Canada
905 829 3980
1 800 421 6332

marketing@euro-line-appliances.com

EURO-LINE APPLIANCES WEST INC.

2912 West 4th Avenue
Vancouver, BC V6K 1R2 Canada
604 235 3980
1 855 ELA WEST (352 9378)

info@elawest.com

