

MCC4538E II
24" Built-In Stainless Steel Speed Oven

AEG

MCC4538E II

24" Built-In Stainless Steel Speed Oven



ELECTRICAL REQUIREMENTS

- 208/240 Volt, 60Hz, 20 amp
- Supplied with a 5ft long electrical cable and must be hard wired

SPEED OVEN DIMENSIONS (OVERALL)

D: 20^{15/16}" • W: 23^{7/16}" • H: 17^{13/16}"

D: 531 mm • W: 595 mm • H: 453 mm

CUT-OUT DIMENSIONS

D: 21^{5/8}" • W: 22^{1/16}" • H: 17^{3/4}"

D: min. 550 mm • W: min. 560 mm • H: 450 mm

SPEED OVEN FEATURES

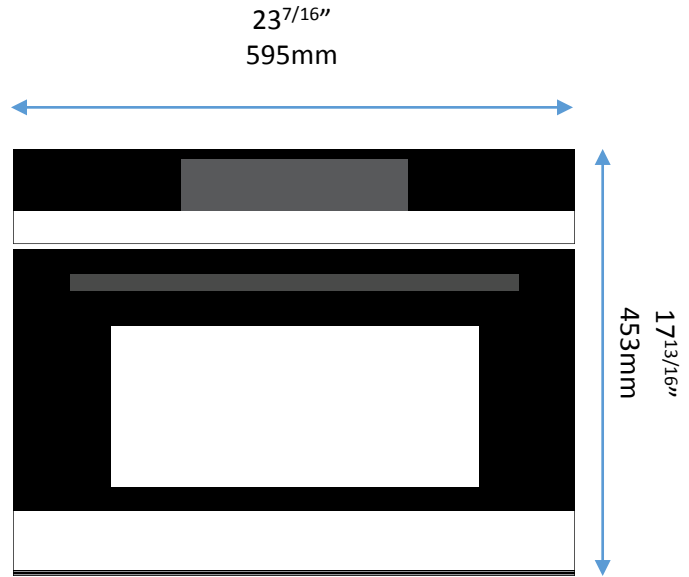
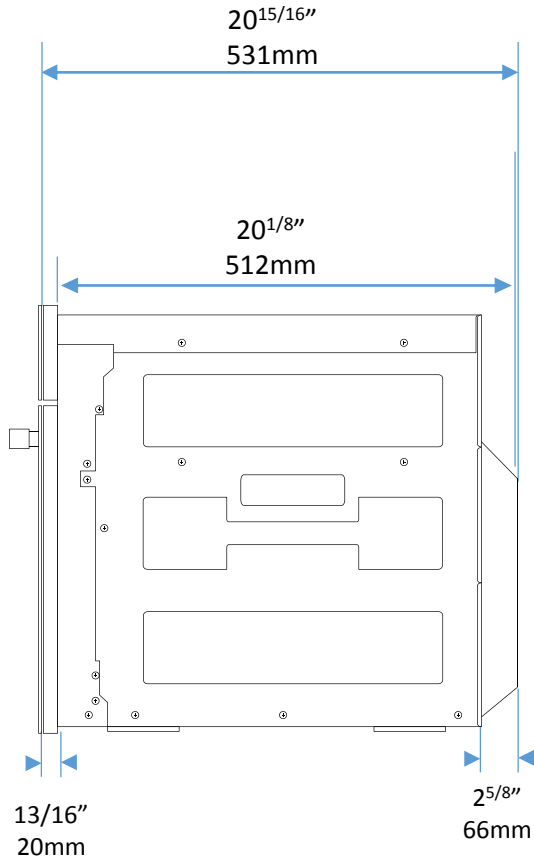
- 38 litre interior capacity
- Microwave, convection, grill modes
- Fingerprint proof stainless steel frame
- Stainless steel inner cavity
- Digital display with touch control
- Children's safety lock
- Memory function - program 3 favourite recipes
- 3 AutoCook functions
- Drop-down grill for easy cleaning
- Fully programmable clock and timer

SPEED OVEN ACCESSORIES

- Circular glass turntable
- Turntable ring and support
- Rectangular wire rack
- Rectangular glass tray
- Optional – TK455 : 2 piece stainless steel trim kit to create a seamless cooking tower in 30" cabinet opening

Specifications

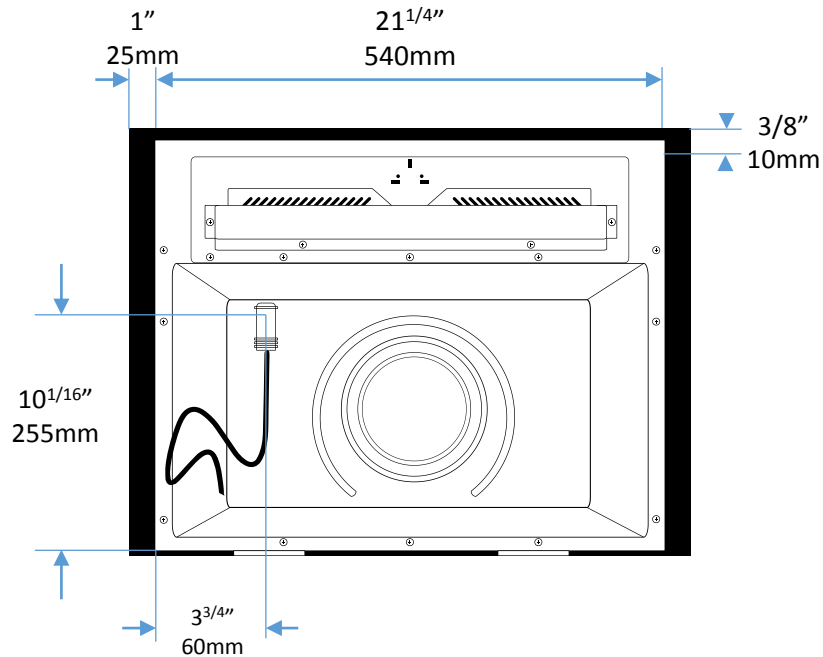
MCC4538E II



SPEED OVEN DIMENSIONS (Overall)

D: 20^{15/16}" • W: 23^{7/16}" • H: 17^{13/16}"

D: 531 mm • W: 595 mm • H: 453 mm



Specifications (Column Installation)

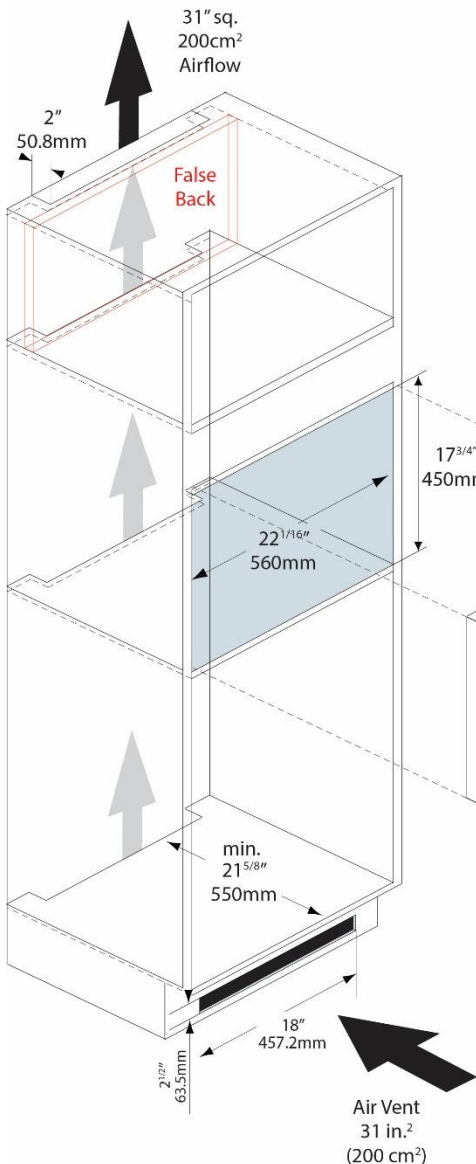
MCC4538E II

SPEED OVEN DIMENSIONS (BODY)

- H: $17\frac{5}{16}$ " • W: $21\frac{1}{4}$ " • D: $20\frac{1}{8}$ "
- H: 440 mm • W: 540 mm • D: 512 mm

CUT-OUT DIMENSIONS

- D: $21\frac{5}{8}$ " • W: $22\frac{1}{16}$ " • H: $17\frac{3}{4}$ "
- D: min. 550 mm • W: min. 560 mm • H: 450 mm



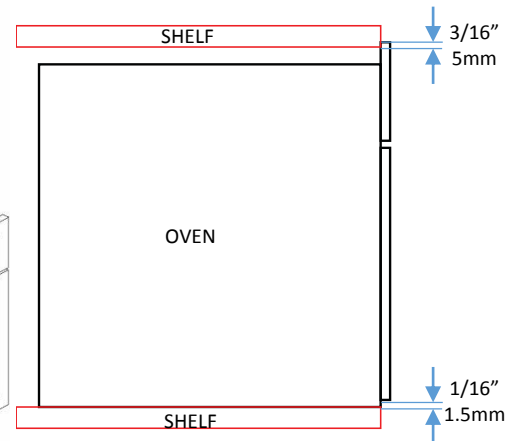
ELECTRICAL REQUIREMENTS

- 208 / 240 Volt, 60Hz, 20 AMP

IMPORTANT

- AEG ovens are supplied with a 5' long electrical cable and must be hard wired to the electrical supply
- AEG ovens uses the following wires:
RED & BLACK: Live Wires
GREEN: Ground
The Neutral (White) wire is not required for the electrical installation.

SIDE VIEW

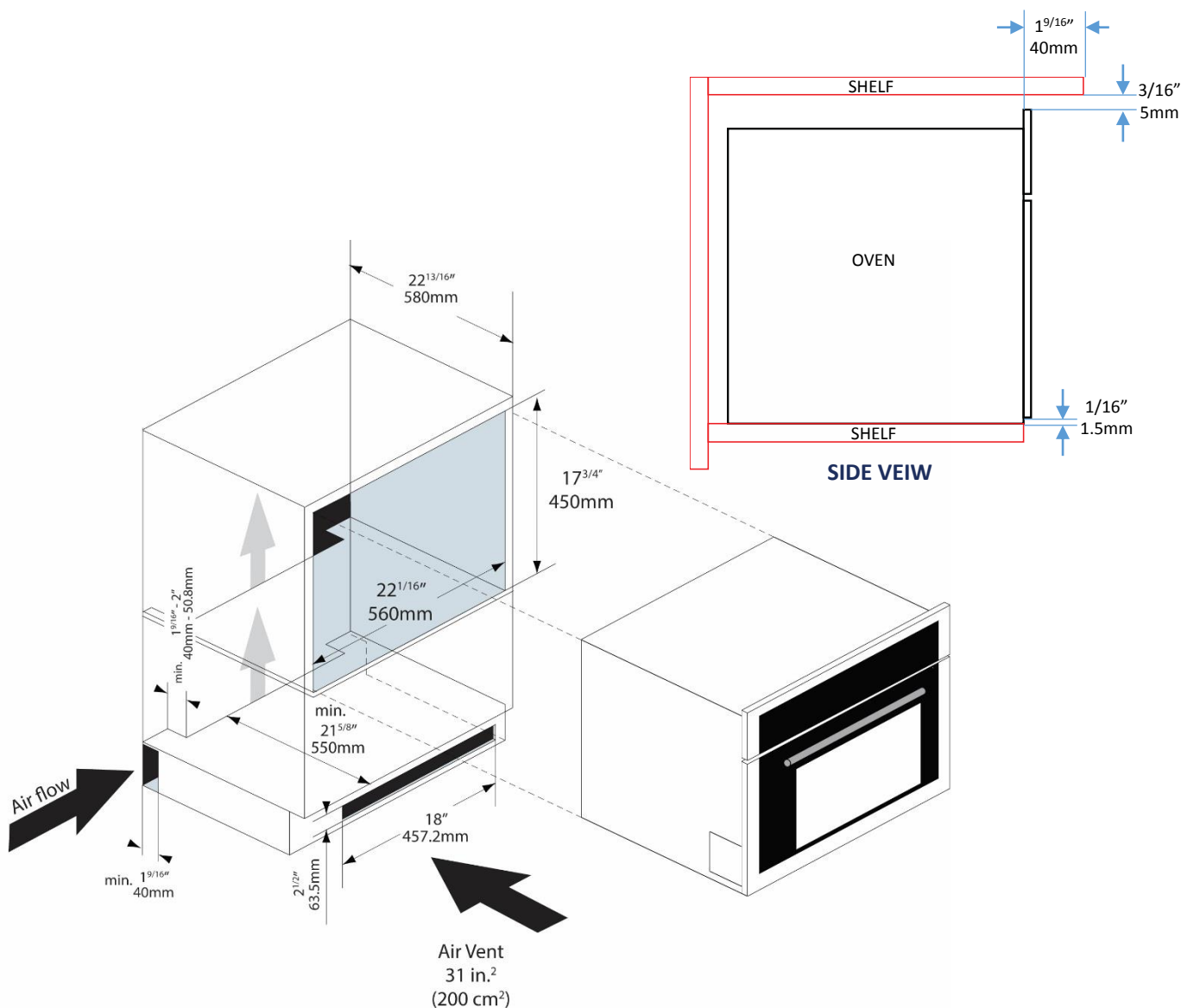


FALSE BACKS

- Install false backs for storage spaces. This will prevent contents from falling through the vent space. In addition, warm air will not interfere with your stored contents

Specifications (Under Counter Installation)

MCC4538E II



AEG

AEG Appliances are designed and manufactured to the highest standards. Each appliance is covered by a comprehensive 2-year parts and labour warranty.

Refer to product warranty policy for complete terms and conditions.

FOR PARTS AND SERVICE

Euro-Parts & Service

39822 Belgrave Road, Belgrave, ON. N0G 1E0

1 800 678 8352 (Canada) • 1 800 561 4614 (U.S.)

www.euro-parts.ca • parts@euro-parts.ca • service@euro-parts.ca

AEG appliances are imported and distributed in North America by Euro-Line Appliances Inc. For more information, please visit one of our showrooms or

www.euro-line-appliances.com www.elawest.com

EURO-LINE APPLIANCES INC.

871 Cranberry Court
Oakville, ON L6L 6J7 Canada
905 829 3980
1 800 421 6332

marketing@euro-line-appliances.com

EURO-LINE APPLIANCES WEST INC.

101 - 1014 Homer Street
Vancouver, BC V6B 2W9
Canada 604 235 3980
1 855 ELA WEST (352.9378)

info@elawest.com

