

PERFEKT GLIDE 30-1
30" Built-in Telescopic Range Hood

AEG

PERFEKT GLIDE 30-1

30" Built-in Telescopic Range Hood



RANGE HOOD FEATURES

- 30" (76cm) stainless steel built-in glide-out range hood
- LED lighting (3,200 lumens)
- 2 speed adjustment
- 2 x dishwasher safe honey comb filters
- Electronic switch controls
- Quiet (7 sones/56dB) 300 CFM motor
- Top vent for exterior ventilation

RANGE HOOD DIMENSIONS

- D: 11" x W: 29^{13/16"}
- D: 280mm x W: 758mm

DUCT SIZE

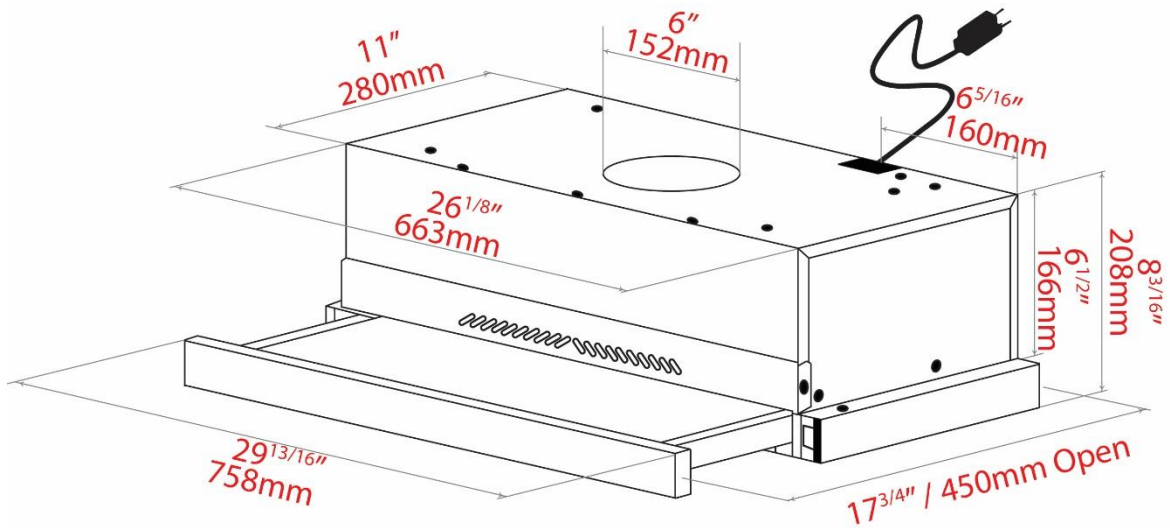
- 6" Duct Adapter Included

ELECTRICAL REQUIREMENTS

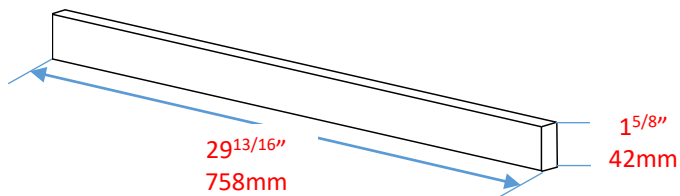
- 115 Volt, 60Hz, 15AMP
- AEG Range Hoods are supplied with a Canadian cord and plug
- Electrical cord located 6^{5/16"} (160mm) from the top right corner of the unit at the rear

Specifications

PERFEKT GLIDE 30-1



FRONT PANEL - DUCTED



RANGE HOOD DIMENSIONS

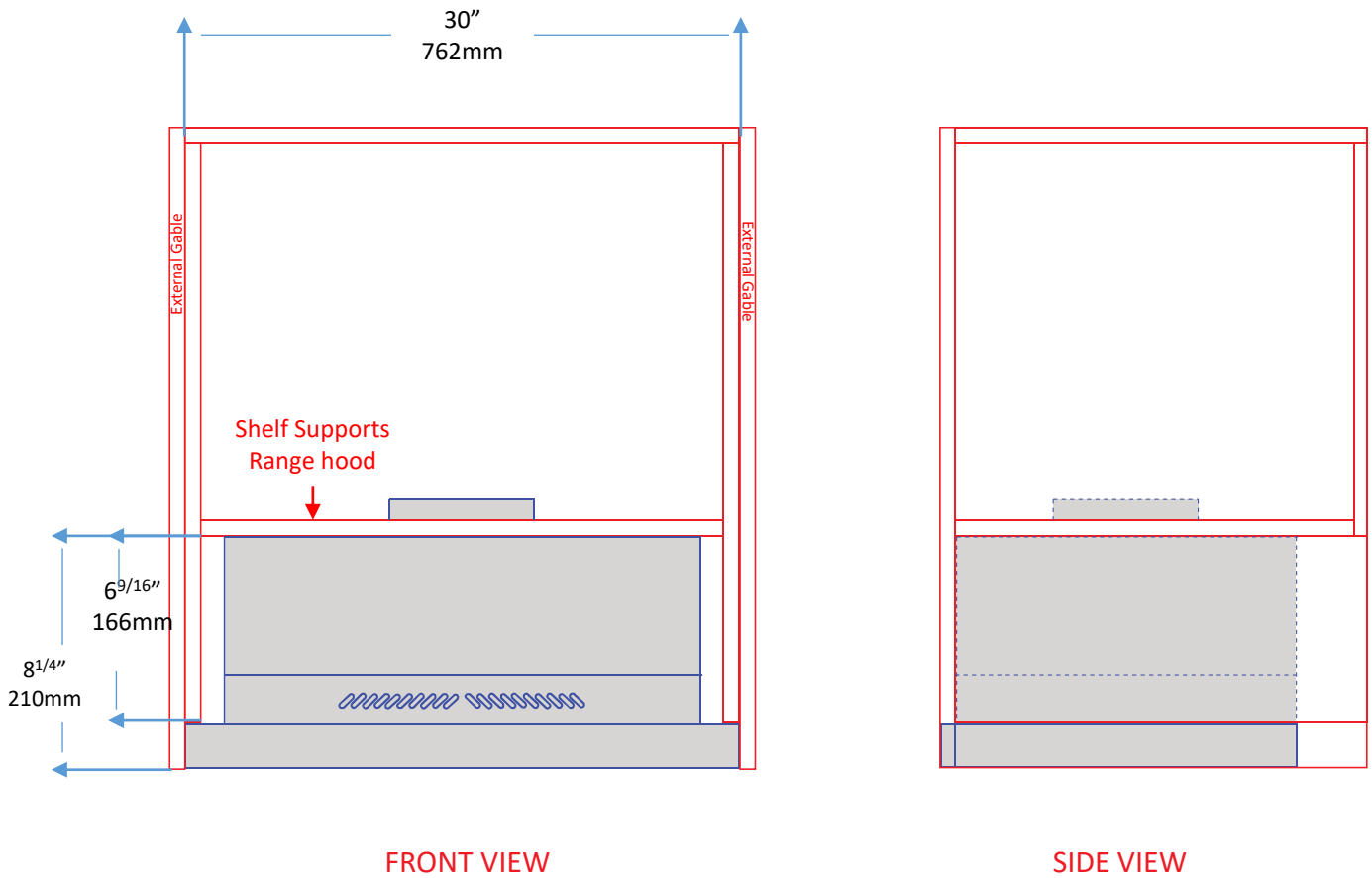
D: 11" x W: 29^{13/16}"

D: 280mm x W: 758mm

Specifications

PERFEKT GLIDE 30-1

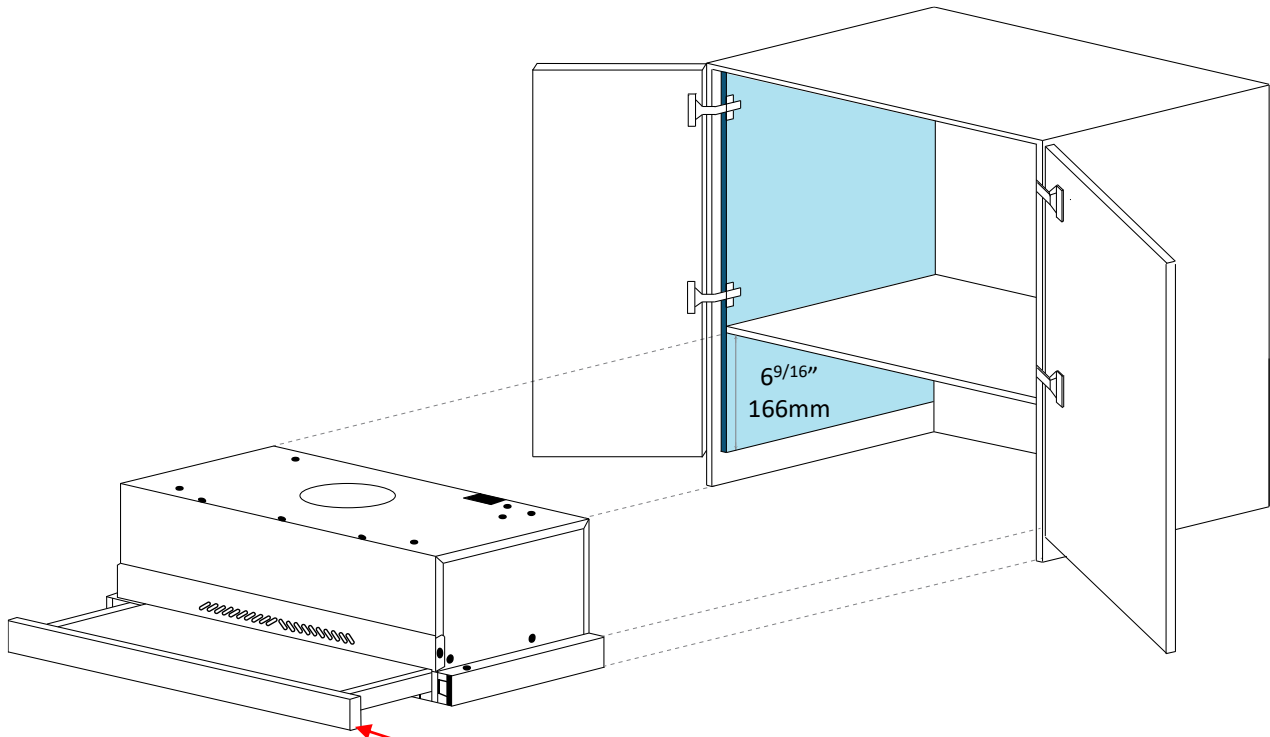
CABINET BOX DESIGN



Specifications

PERFEKT GLIDE 30-1

FRONT PANEL INSTALLATION



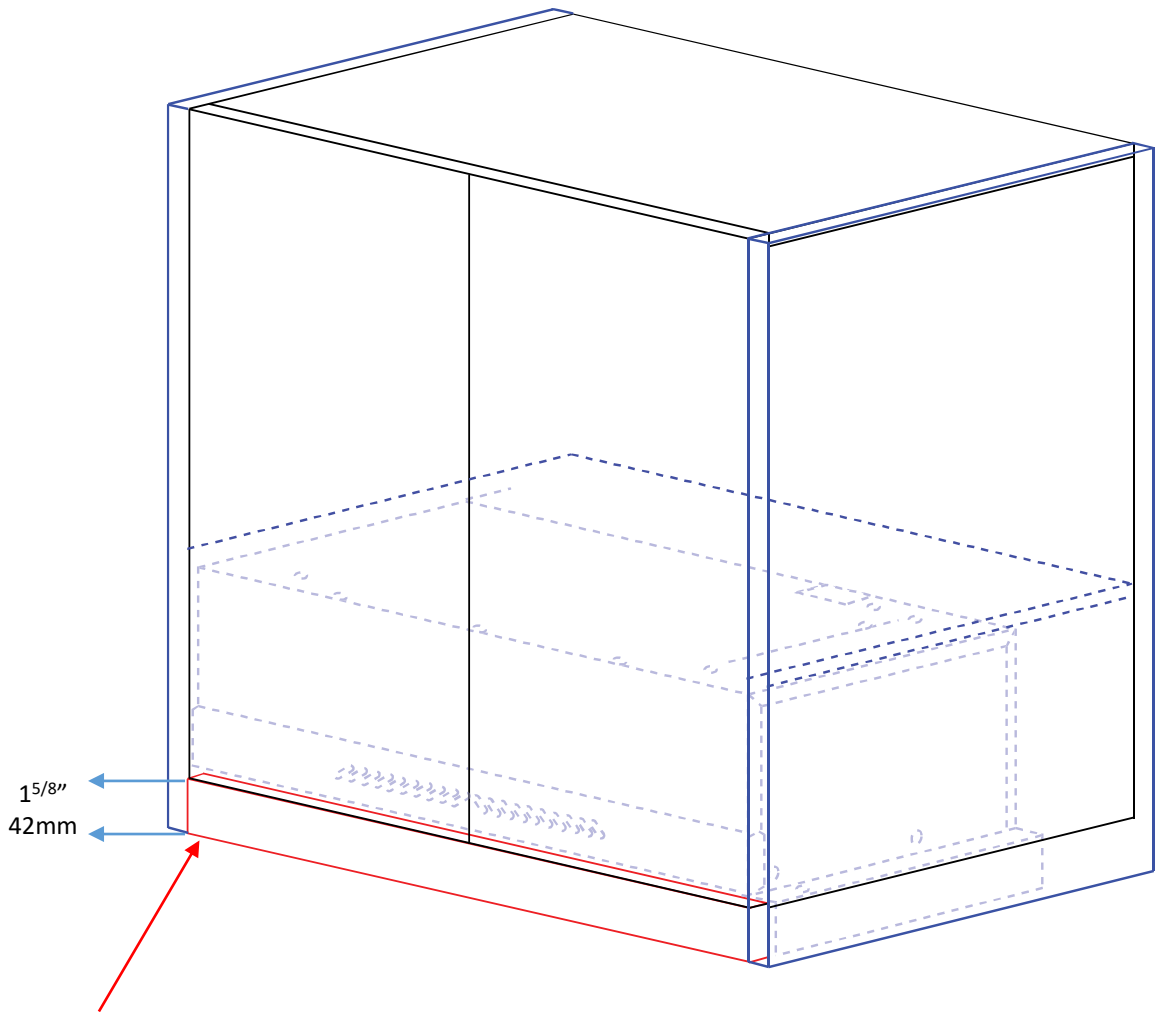
NOTE: Removing the front stainless steel trim

- 1. Pull the glide forward
- 2. Remove the 4 screws holding the glide to the panel
- 3. Install the matching front panel using the 4 screws

Custom panel provided by customer

Specifications

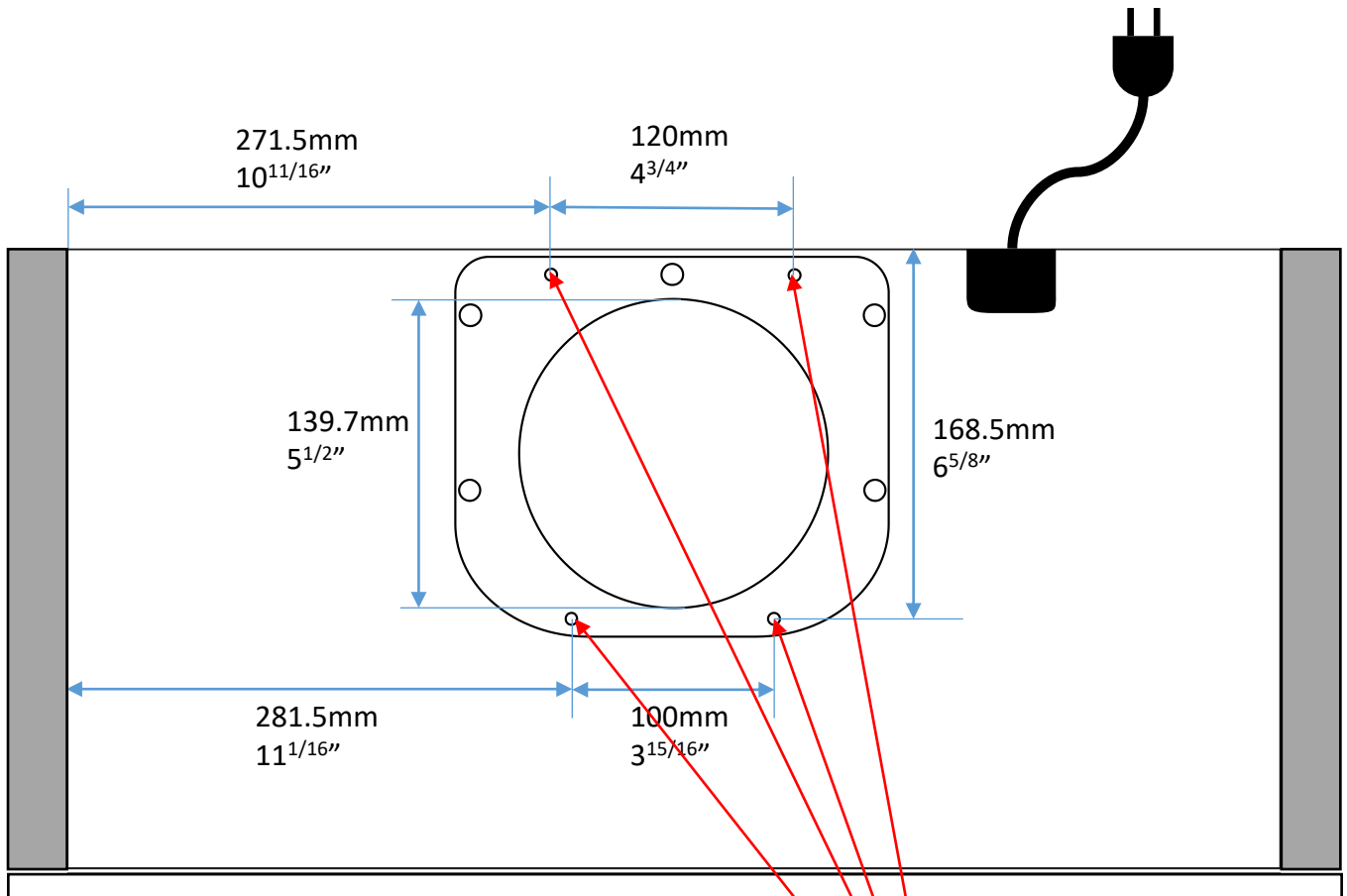
PERFEKT GLIDE 30-1



NOTE: Cabinet Door Panel Height

- Ensure that the cabinet door panel is lengthened to accommodate the smaller sized Range Hood Front Panel

DAMPER INSTALLATION



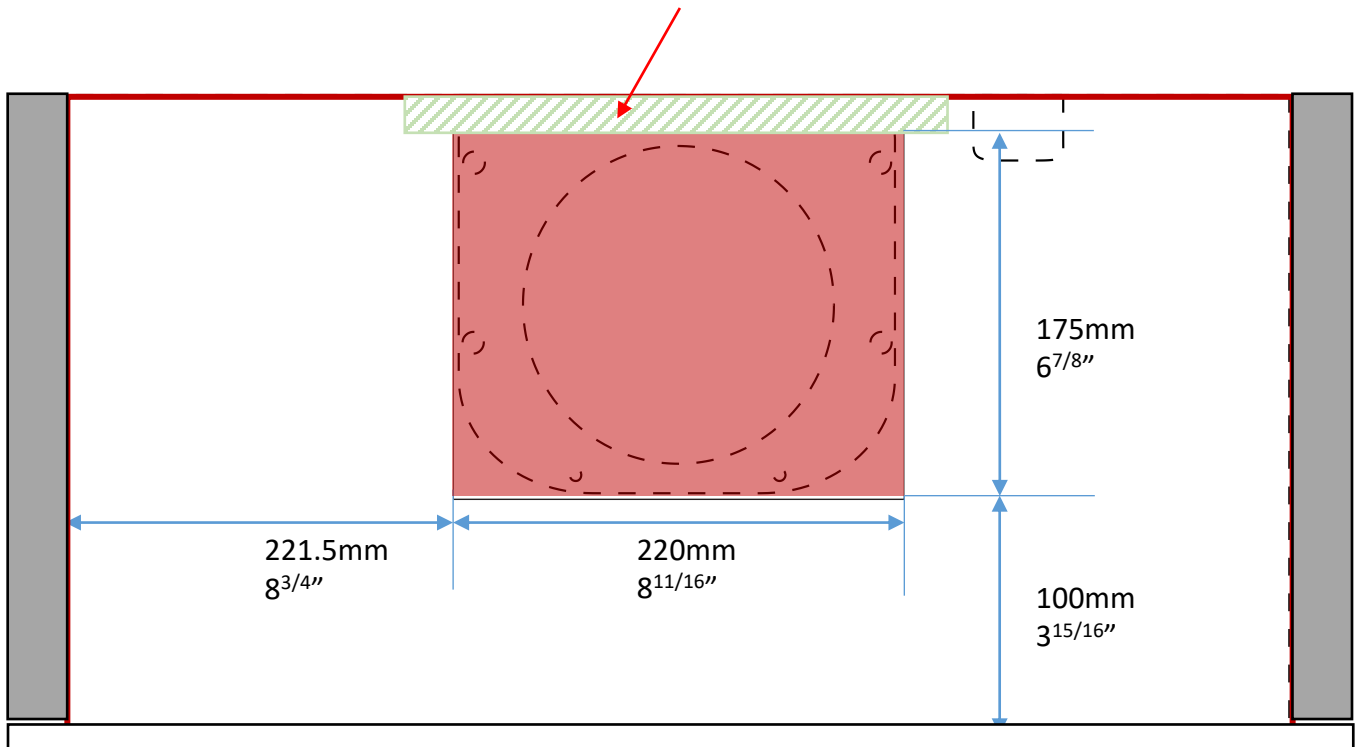
SECURING THE DAMPER

- Drill (1/8") at the points located
- Secure the damper to the motor housing using the screws supplied with the range hood

PERFEKT GLIDE 30-1

DAMPER INSTALLATION (SHELF CUT-OUT)

- Shelf with less than 1" of shelf extension **MUST HAVE** a support brace in place

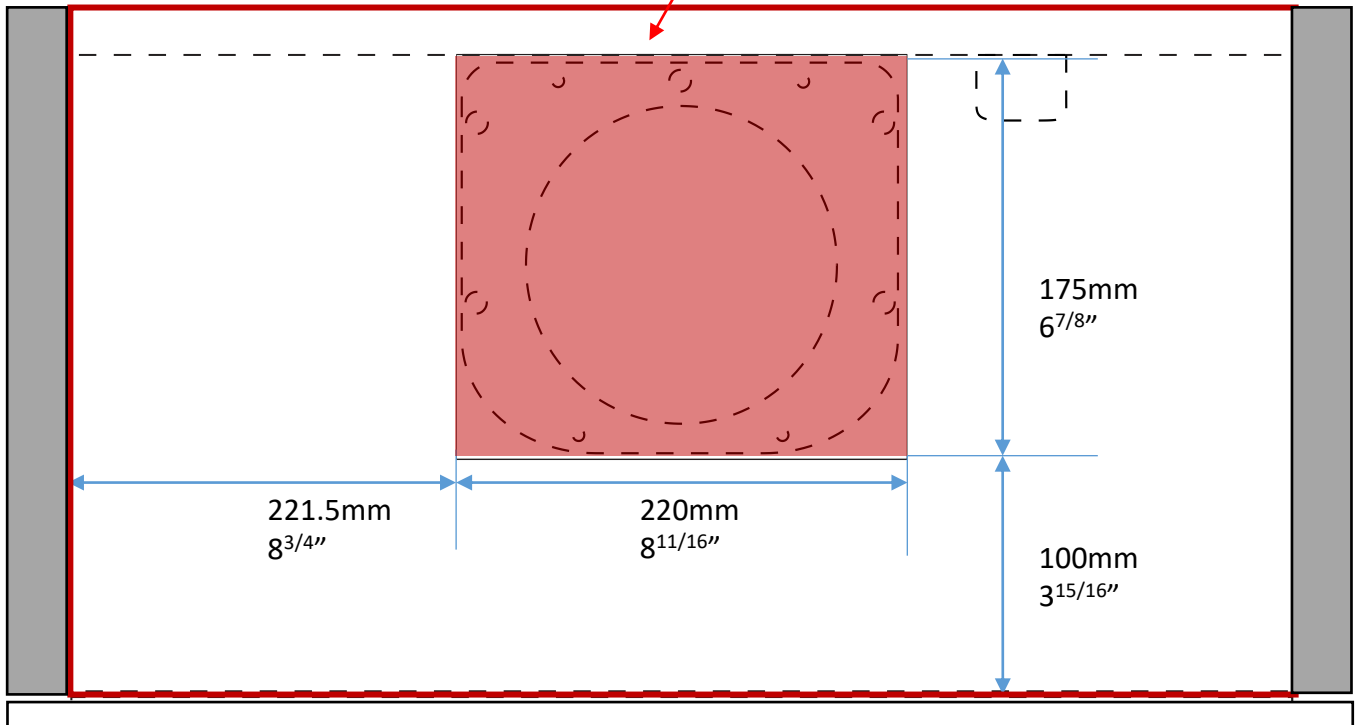


DAMPER CUT-OUT

- W: 220mm x D:175mm
W: 8^{11/16}" x 6^{7/8}"
- Shelf depth **MUST BE** a minimum of 11" deep

DAMPER INSTALLATION (SHELF CUT-OUT)

- Shelf with 1" or more extension does not require a support brace.

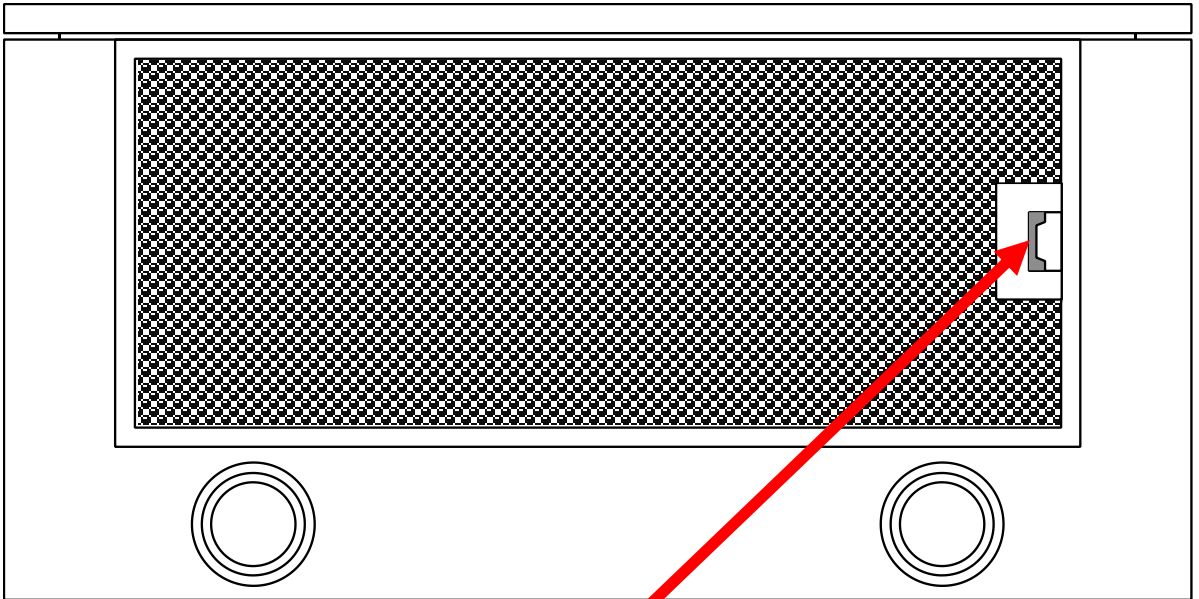


DAMPER CUT-OUT

- W: 220mm x D:175mm
W: 8^{11/16}" x 6^{7/8}"
- Shelf depth **MUST BE** a minimum of 11" deep

ALTERNATE INSTALLATION

PERFEKT GLIDE 30-1 (REC)

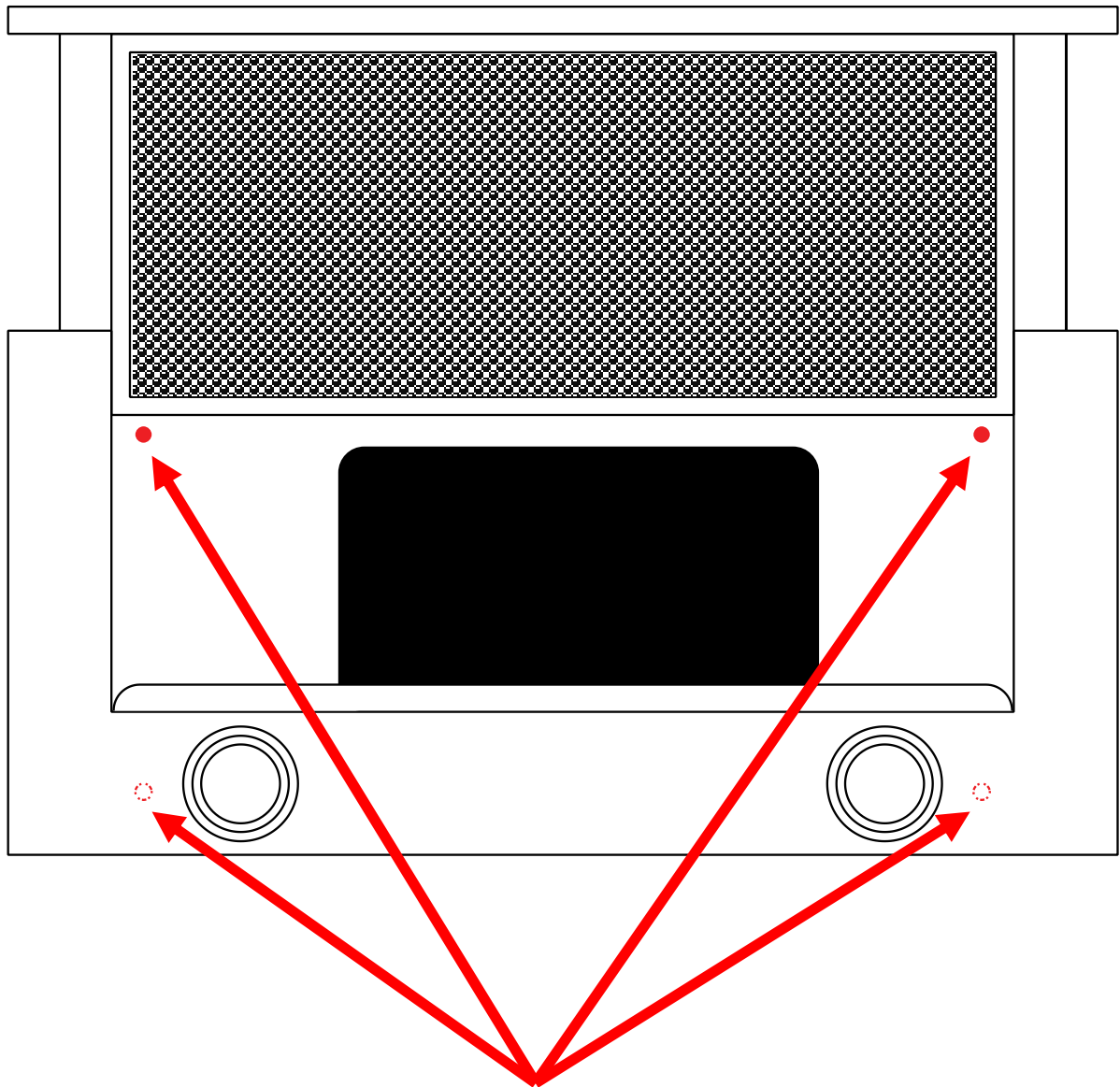


REMOVE THE FILTER

- To remove the filter press on the tab to release the filter
- While depressed, pull the filter towards you to remove it from the filter housing.

ALTERNATE INSTALLATION

PERFEKT GLIDE 30-1 (REC)

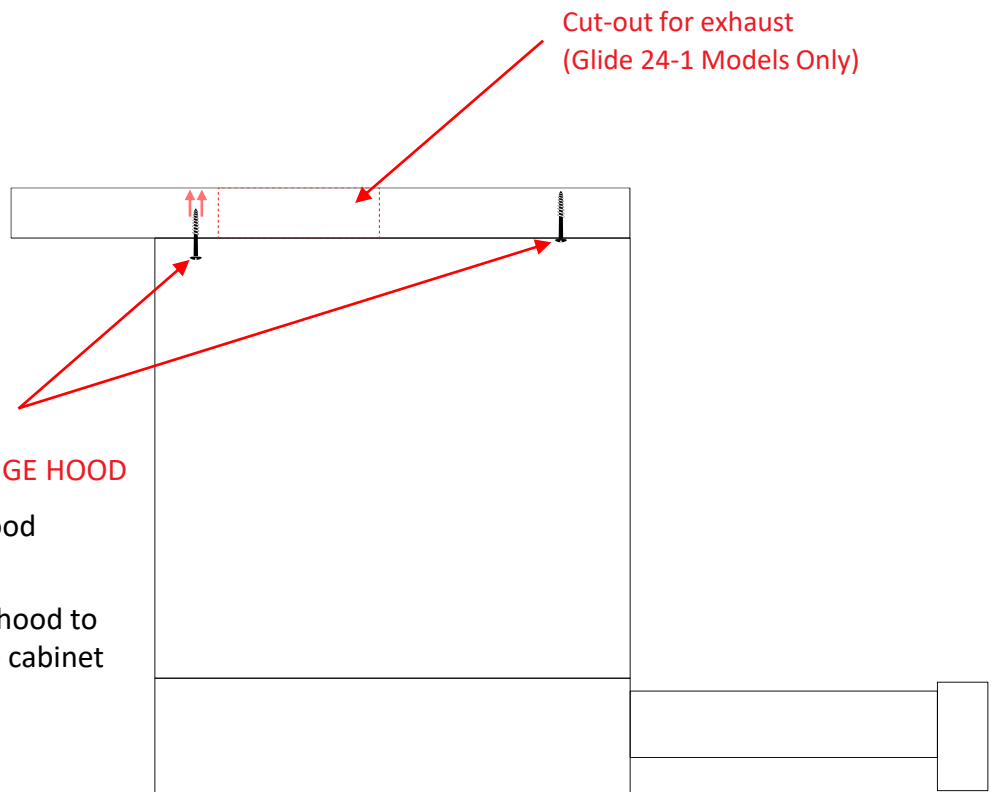


LOCATE PRE-DRILLES HOLES

- While depressed, pull the filter towards you to remove it from the filter housing.
- Locate the pre-drilled pilot holes in the cavity of the Glide Range hood

ALTERNATE INSTALLATION

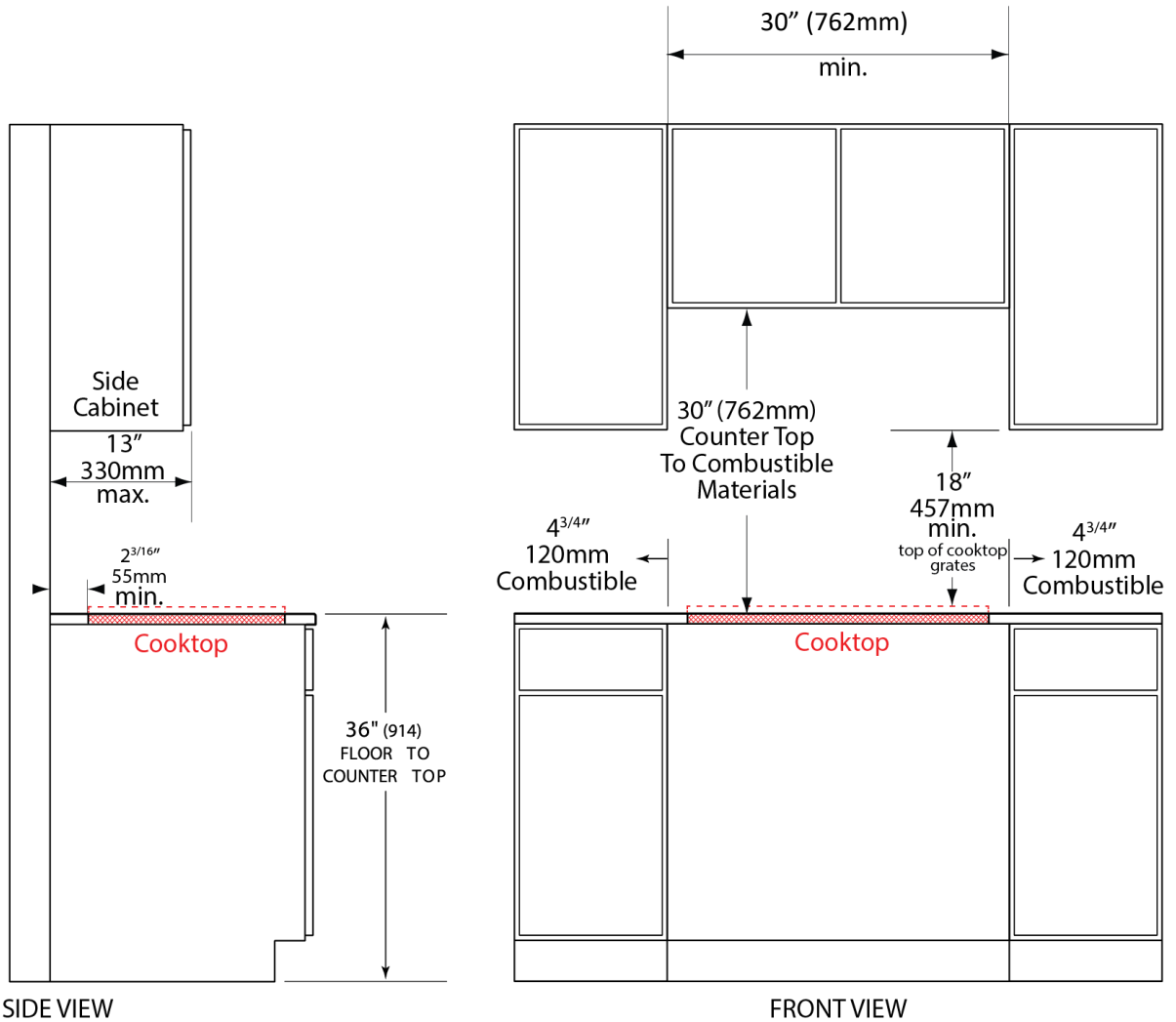
PERFEKT GLIDE 30-1 (REC)



Specifications

PERFEKT GLIDE 30-1

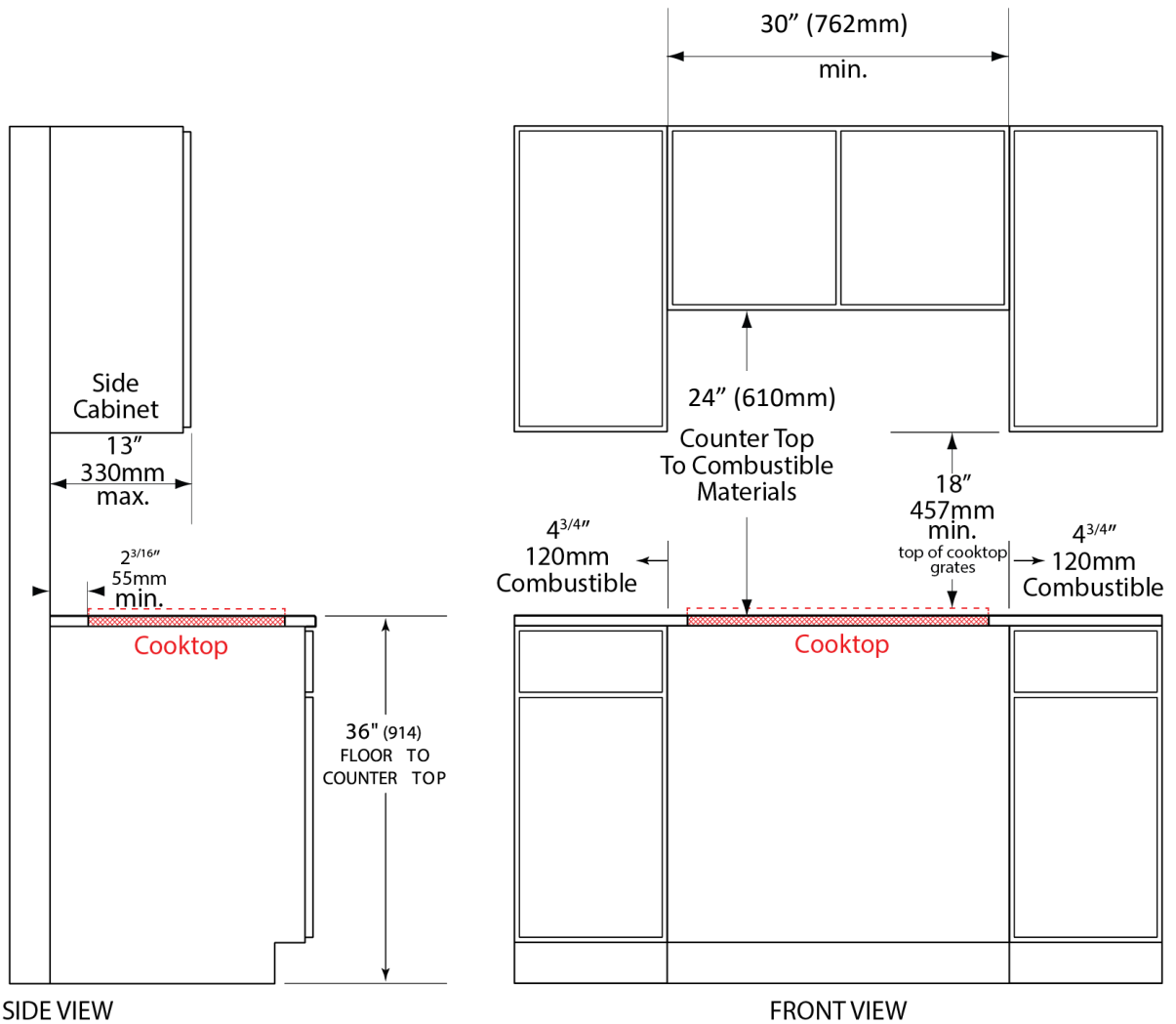
RECOMMENDED CABINET MINIMUM CLEARANCE (GAS COOKING SURFACE)



Specifications

PERFEKT GLIDE 30-1

RECOMMENDED CABINET MINIMUM CLEARANCE (ELECTRIC / INDUCTION COOKING SURFACE)



AEG

AEG Appliances are designed and manufactured to the highest standards. Each appliance is covered by a comprehensive 2-year parts and labour warranty.

Refer to product warranty policy for complete terms and conditions.

FOR PARTS AND SERVICE

Euro-Parts & Service

39822 Belgrave Road, Belgrave, ON. N0G 1E0

1 800 678 8352 (Canada) • 1 800 561 4614 (U.S.)

www.euro-parts.ca • parts@euro-parts.ca • service@euro-parts.ca

AEG appliances are imported and distributed in North America by Euro-Line Appliances Inc. For more information, please visit one of our showrooms or

www.euro-line-appliances.com www.elawest.com

EURO-LINE APPLIANCES INC.

871 Cranberry Court
Oakville, ON L6L 6J7 Canada
905 829 3980
1 800 421 6332

marketing@euro-line-appliances.com

EURO-LINE APPLIANCES WEST INC.

101-1014 Homer Street
Vancouver, BC V6B 2W9 Canada
604 235 3980
1 855 ELA WEST (352 9378)

info@elawest.com

