

PERFEKT GLIDE 36-REC  
36" Built-in Telescopic Range Hood

**AEG**

# PERFEKT GLIDE 36-REC

## 36" Built-in Telescopic Range Hood



### RANGE HOOD FEATURES

- 36" (90cm) stainless steel built-in glide-out range hood
- Recirculating
- LED lighting (3,200 Lumens)
- 2 speed adjustment
- 2 x dishwasher safe honey comb filters
- Electronic switch controls
- Quiet (7 sones/56dB) 300 CFM motor

### RANGE HOOD DIMENSIONS

- D: 11" x W: 35<sup>3/8</sup>"
- D: 279mm x W: 899mm

### DUCT SIZE

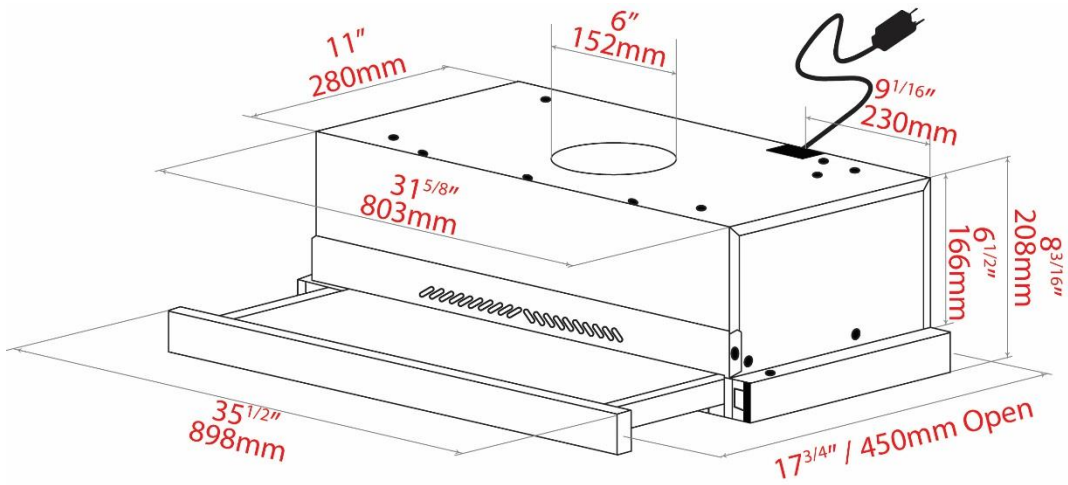
- 6" Duct Adapter Included

### ELECTRICAL REQUIREMENTS

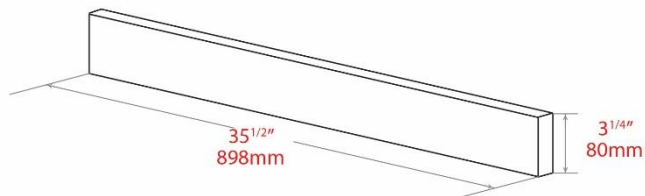
- 115 Volt, 60Hz, 15AMP
- AEG Range Hoods are supplied with a Canadian cord and plug
- Electrical cord located 6<sup>5/16</sup>" (160mm) from the top right corner of the unit at the rear

## Specifications

# PERFEKT GLIDE 36-REC



## FRONT PANEL - DUCTED



## RANGE HOOD DIMENSIONS

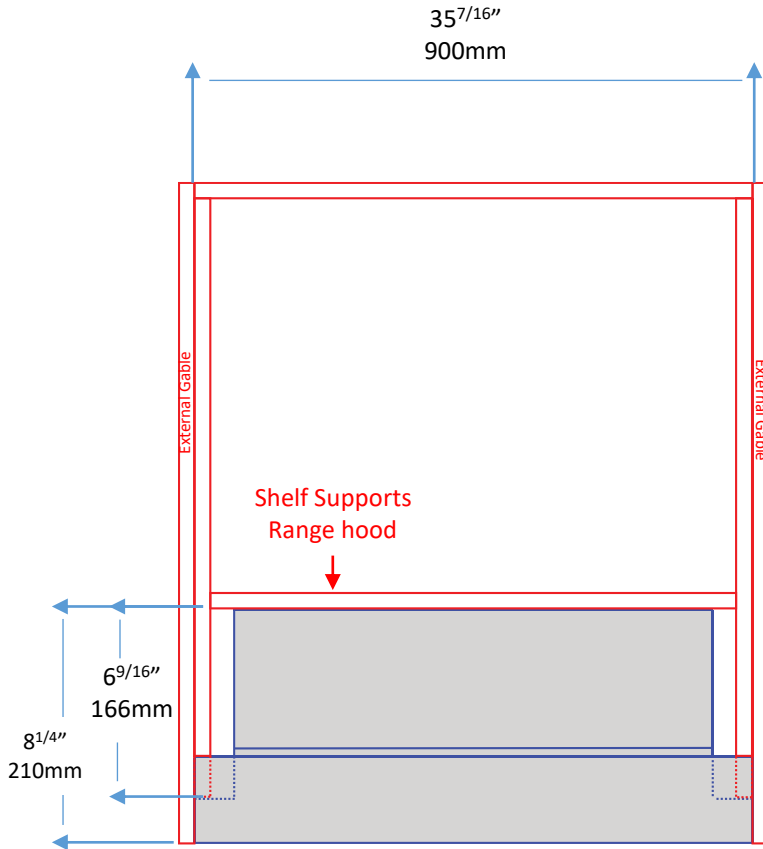
D: 11" x W: 35 1/2"

D: 280mm x W: 898mm

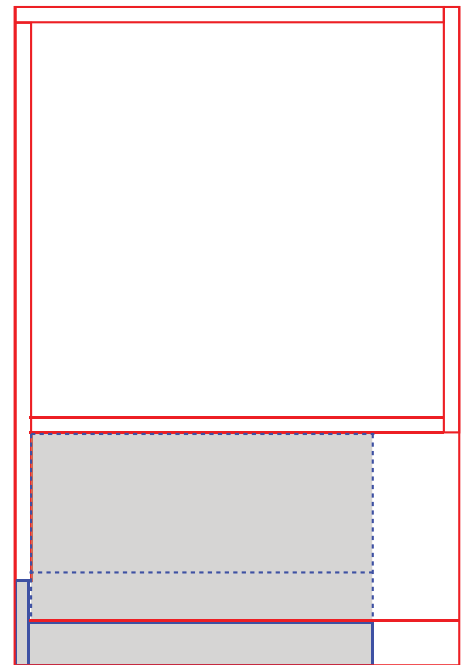
# Specifications

## PERFEKT GLIDE 36-REC

### CABINET BOX DESIGN



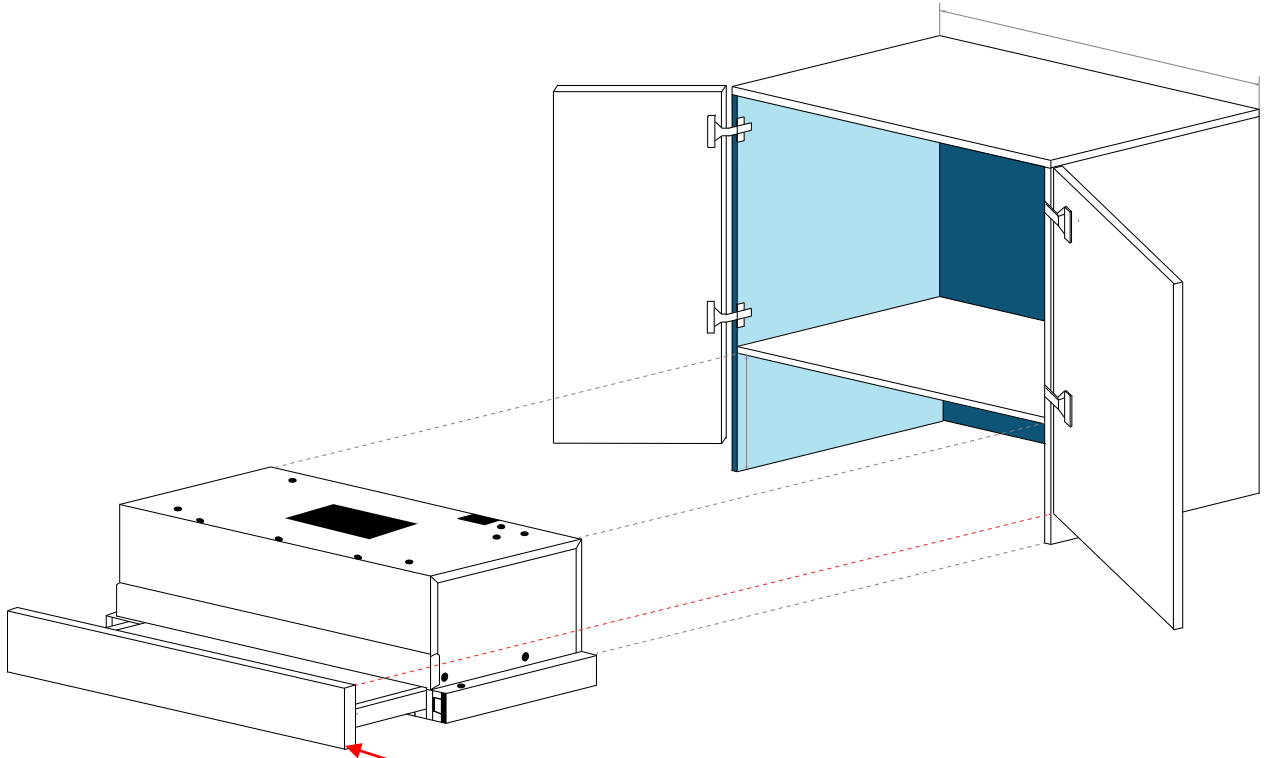
FRONT VIEW



SIDE VIEW

# PERFEKT GLIDE 36-REC

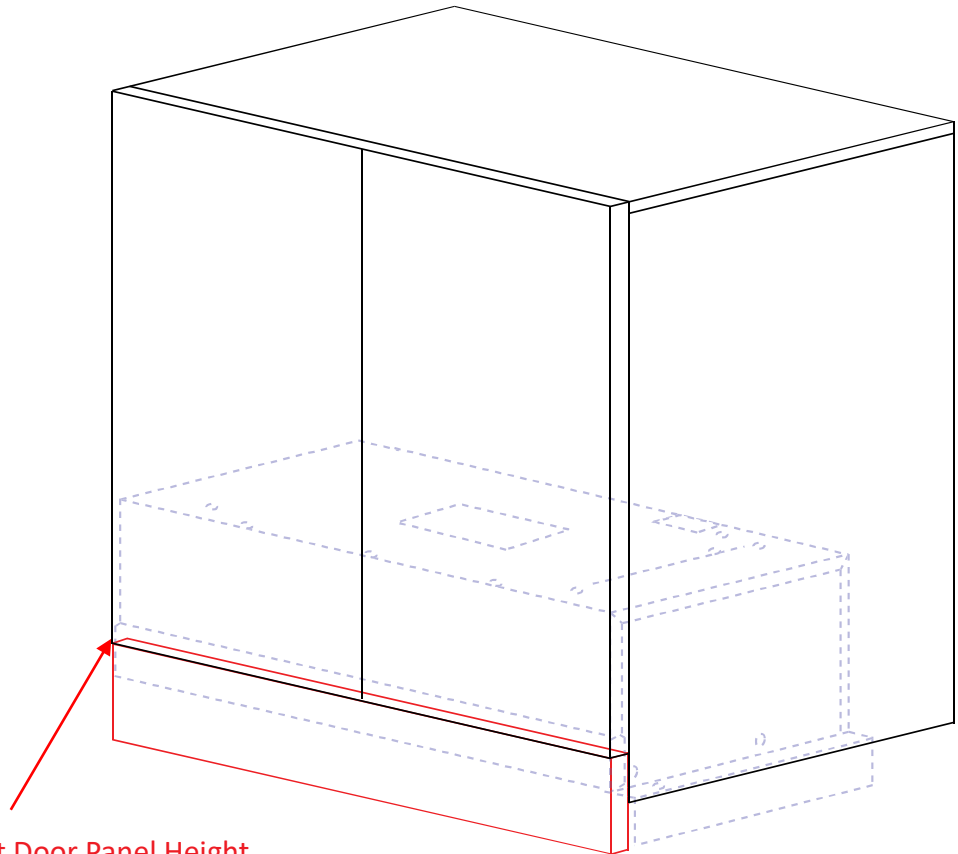
## FRONT PANEL INSTALLATION



**NOTE: Removing the front stainless steel trim**

- 1. Pull the glide forward
- 2. Remove the 4 screws holding the glide to the panel
- 3. Install the matching front panel using the 4 screws

\*Custom panel provided by customer\*



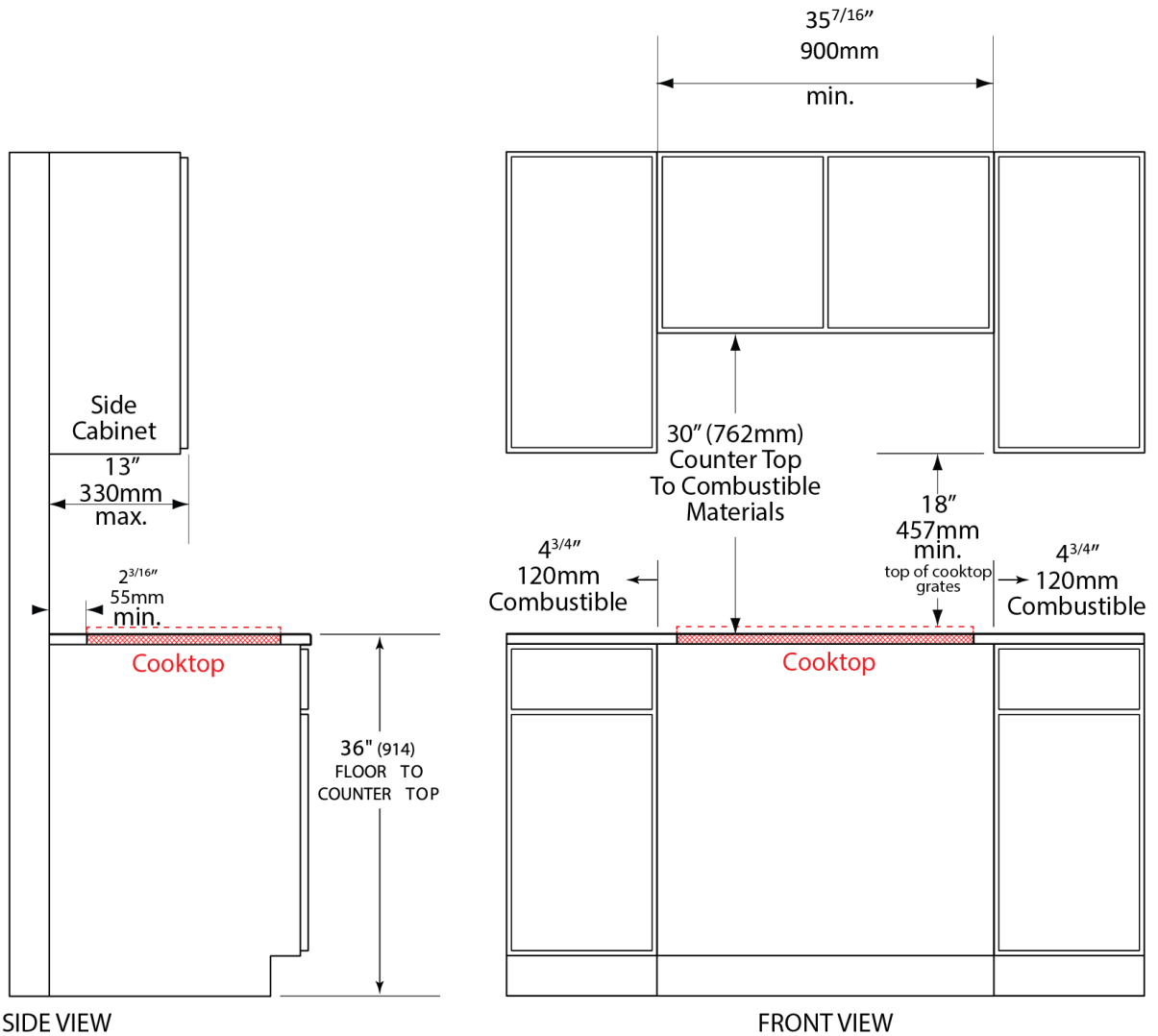
**NOTE: Cabinet Door Panel Height**

- Ensure that the cabinet door panel is shortened to accommodate the larger sized Range Hood Front Panel

# Specifications

## PERFEKT GLIDE 36-REC

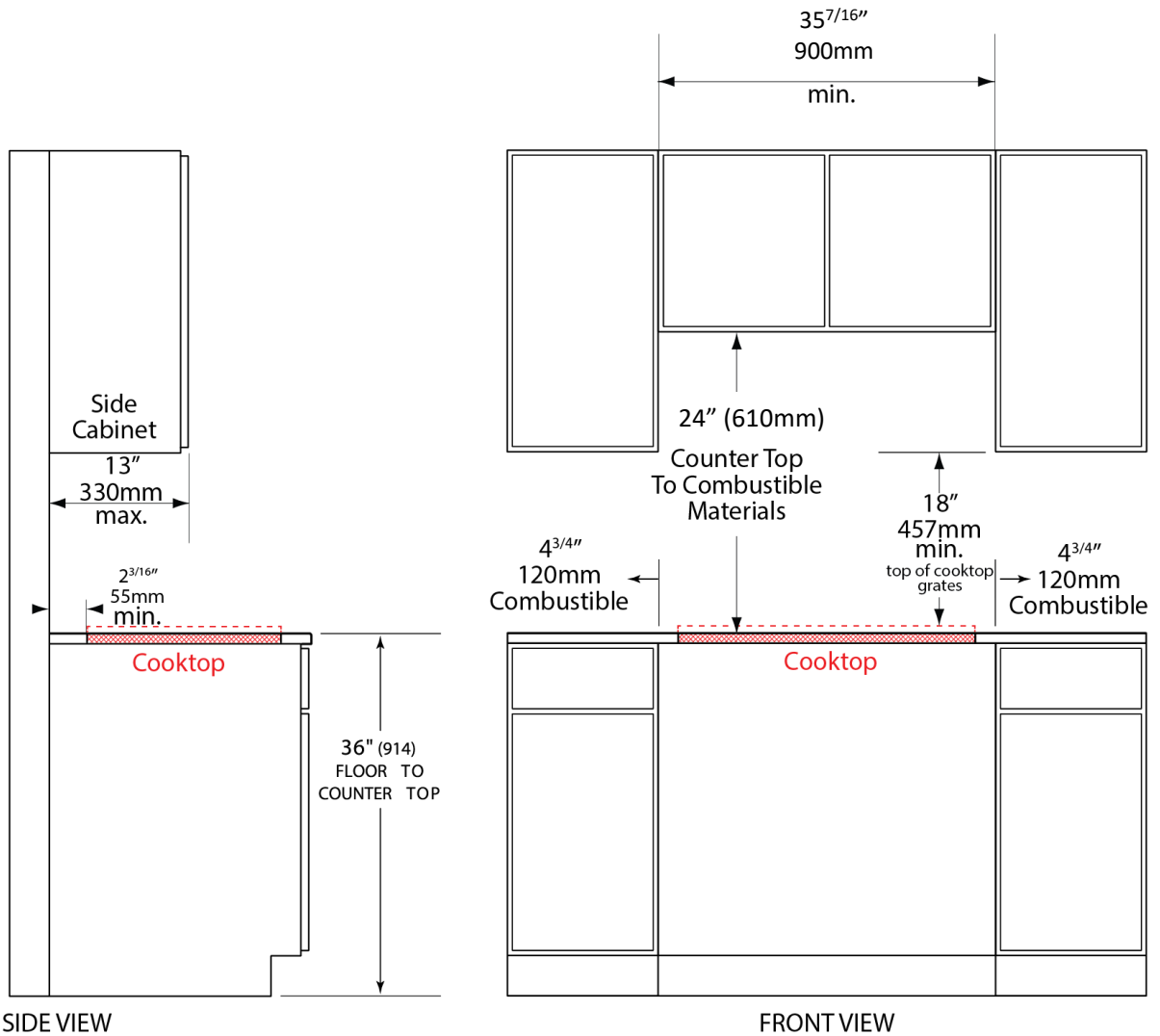
### RECOMMENDED CABINET MINIMUM CLEARANCE (GAS COOKING SURFACE)



# Specifications

## PERFEKT GLIDE 36-REC

### RECOMMENDED CABINET MINIMUM CLEARANCE (ELECTRIC / INDUCTION COOKING SURFACE)





# AEG

AEG Appliances are designed and manufactured to the highest standards. Each appliance is covered by a comprehensive 2-year parts and labour warranty.

Refer to product warranty policy for complete terms and conditions.

## FOR PARTS AND SERVICE

Euro-Parts & Service

39822 Belgrave Road, Belgrave, ON. N0G 1E0

1 800 678 8352 (Canada) • 1 800 561 4614 (U.S.)

[www.euro-parts.ca](http://www.euro-parts.ca) • [parts@euro-parts.ca](mailto:parts@euro-parts.ca) • [service@euro-parts.ca](mailto:service@euro-parts.ca)

AEG appliances are imported and distributed in North America by Euro-Line Appliances Inc. For more information, please visit one of our showrooms or

[www.euro-line-appliances.com](http://www.euro-line-appliances.com)   [www.elawest.com](http://www.elawest.com)

## ***EURO-LINE APPLIANCES INC.***

871 Cranberry Court  
Oakville, ON L6L 6J7 Canada  
905 829 3980  
1 800 421 6332

[marketing@euro-line-appliances.com](mailto:marketing@euro-line-appliances.com)

## ***EURO-LINE APPLIANCES WEST INC.***

101-1014 Homer Street  
Vancouver, BC V6B 2W9 Canada  
604 235 3980  
1 855 ELA WEST (352 9378)

[info@elawest.com](mailto:info@elawest.com)

